

Key features

- spst, dpst, changeover switches available
- diecast or plastic bush available
- dual gang and dual concentric styles
- custom design available
- audio and linear laws
- mounting bracket
- eyelet or pc terminations
- plastic shafts up to 50mm



type 23 series

A very popular range of 20mm diameter potentiometers, the 23 Series can be tailored to suit more specific requirements. The potentiometers are available with a printed carbon resistance element, a choice of bush lengths in metal or plastic and insulated shafts up to 50mm in length.

Specification

Electrical

Resistance Range:	1K to 1M (Linear) - 4K7 to 470K (Non-Linear)
Resistance Values:	1, 2.2 and 4.7 in each decade
Resistance Tolerance:	± 20% (±10% by selection)
Power Rating at 20°C:	0.4 Watts (Linear) - 0.2 Watts (Non-Linear)
Limiting Element Voltage:	500V DC or AC RMS
Electrical Rotation:	267° without switch, 232° with switch
Terminal Resistance:	5 ohms maximum
Noise (ENR):	2% maximum (Linear) - 3% maximum (Non-Linear)
Insulation Resistance:	4G ohms minimum
Voltage Proof:	1000V AC Peak

Mechanical

End Stop Torque:	800mNm
Staring Torque:	15mNm maximum
Mechanical Adjustment:	300° nominal

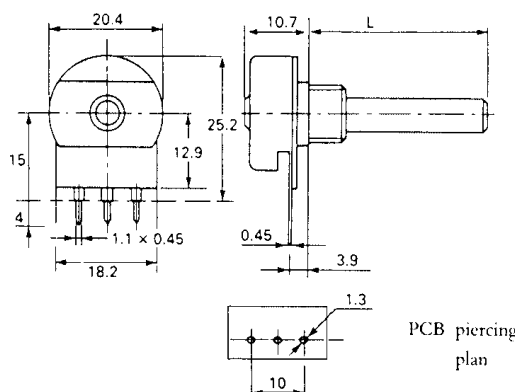
Environmental

Climatic Category:	25/70/04
Rotational Life:	15,000 cycles
Load Life:	ΔR <15% after 8 days @ 32°C RH 82%

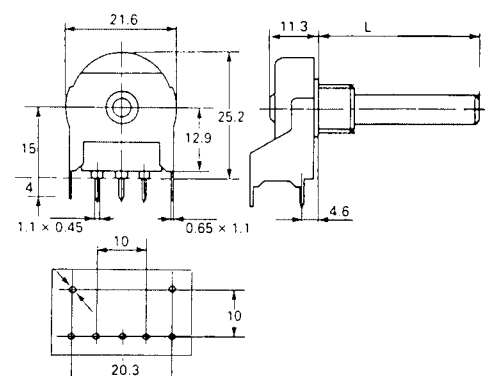
Potentiometers

Dimensions

Type 23



Type 24



sales action desk (01793) 611666
 sales fax line (01793) 611777

