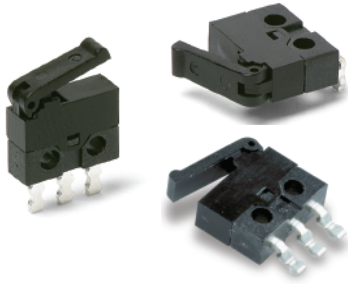


# MDS Series Micro Snap-acting Detect Switches



## Features/Benefits

- Snap-acting tactile feel
- Small package size
- Available in vertical or right angle PCB mount
- Long total travel of 2,9 mm
- RoHS compliant and compatible

## Typical Applications

- Detect the presence of a mechanical device
- Medical devices
- Consumer electronic devices
- ATCA or MicroTCA devices



**Advanced TCA**®

**μTCA**®

## Specifications

CONTACT RATING: 0.3A @ 6 VDC.  
 MECHANICAL & ELECTRICAL LIFE: 10,000 operations.  
 CONTACT RESISTANCE: 200 m Ω max.  
 OPERATING TEMPERATURE: -25°C to +70°C.  
 SOLDERABILITY: According to lead free solder profiles.  
 PACKAGING: Available in bulk or tape and reel.  
 OPERATING FORCE: 65g Max.  
 RELEASE FORCE: 3g Min.

## Materials

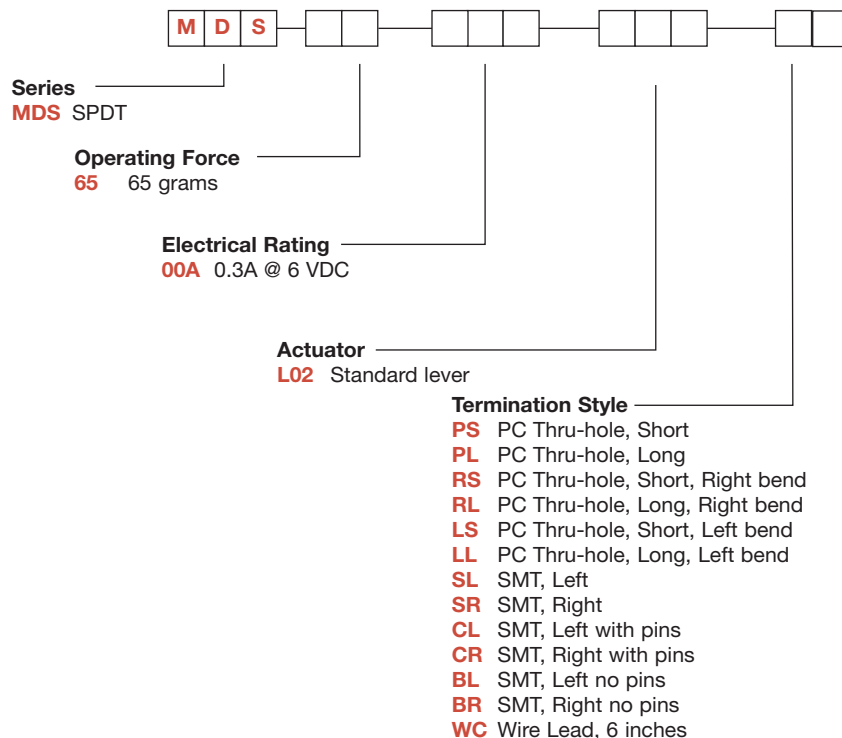
BASE: PA6T UL94HB  
 COVER & ACTUATOR: PA46 UL94HB  
 MOVABLE CONTACT: Copper alloy, silver plated.  
 STATIONARY CONTACTS: Copper alloy, silver plated.  
 TERMINALS: Copper alloy, tin plated.

**NOTE:** MDS series is RoHS compliant, and compatible. See technical data section of this catalog for RoHS compliant and compatible definitions and specifications.

**NOTE:** Specifications and materials listed above are for switches with standard options. For information on specific and custom switches, consult Customer Service Center.

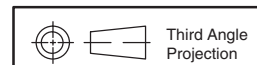
## Build-A-Switch

To order, simply select desired option from each category and place in the appropriate box. Available options are shown and described on pages E-14 and E-18. For additional options not shown in catalog, consult Customer Service Center.



Detect

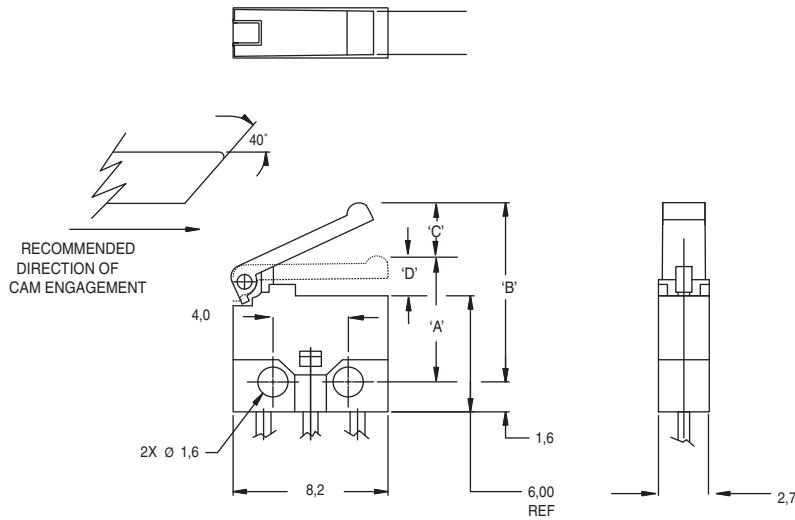
Detect



Dimensions are shown: mm  
 Specifications and dimensions subject to change

# MDS Series Micro Snap-acting Detect Switches

SERIES **MDS**



OPERATING CHARACTERISTICS		
OPERATING POSITION	DIM 'A'	7,0+0,4/-0,5
FREE POSITION	DIM 'B'	9,6 MAX
PRETRAVEL	DIM 'C'	2,5 MAX
OVER TRAVEL	DIM 'D'	0,15 MIN
CONTACT RATING		0.3A 6V DC
OPERATING FORCE		65 gf MAX.

OPERATING FORCE

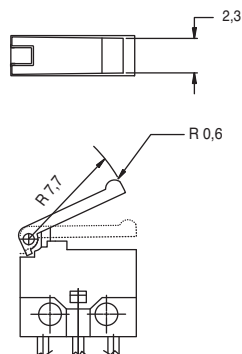
OPTION CODE	OPERATING FORCE
<b>65</b>	65 grams max.

ELECTRICAL RATING

OPTION CODE	ELECTRICAL RATING
<b>00A</b>	0.3A @ 6 V DC

ACTUATOR

**L02** STANDARD LEVER



Dimensions are shown: mm  
Specifications and dimensions subject to change



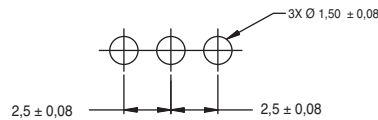
**E**

**Detect**

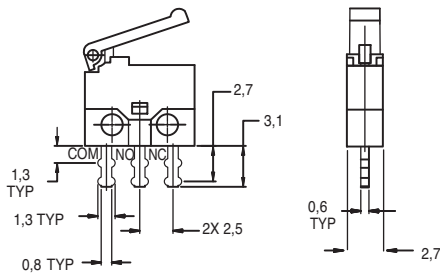
# MDS Series Micro Snap-acting Detect Switches

## TERMINATIONS

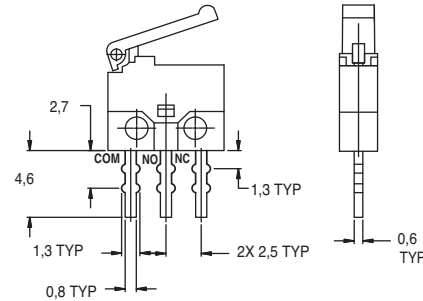
### PCB Mounting Pattern



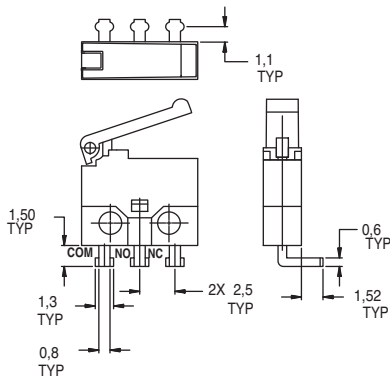
**PS** PC THRU-HOLE, SHORT STRAIGHT



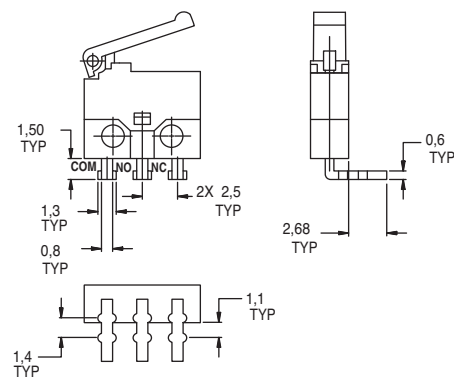
**PL** PC THRU-HOLE, LONG STRAIGHT



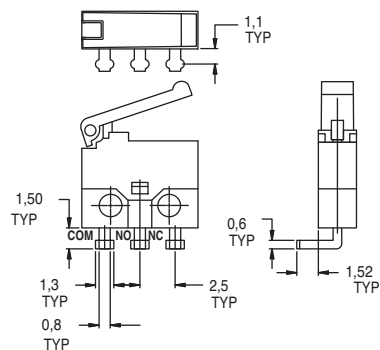
**RS** PC THRU-HOLE, SHORT RIGHT BEND



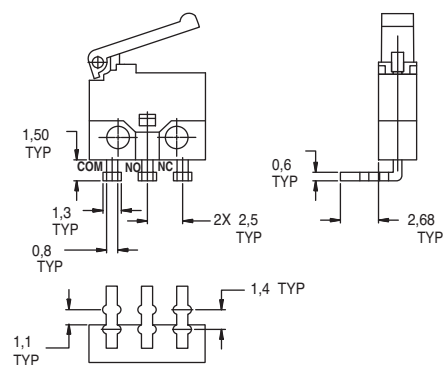
**RL** PC THRU-HOLE, LONG SHORT BEND



**LS** PC THRU-HOLE, SHORT LEFT BEND



**LL** PC THRU-HOLE, LONG LEFT BEND



Detect

# MDS Series Micro Snap-acting Detect Switches

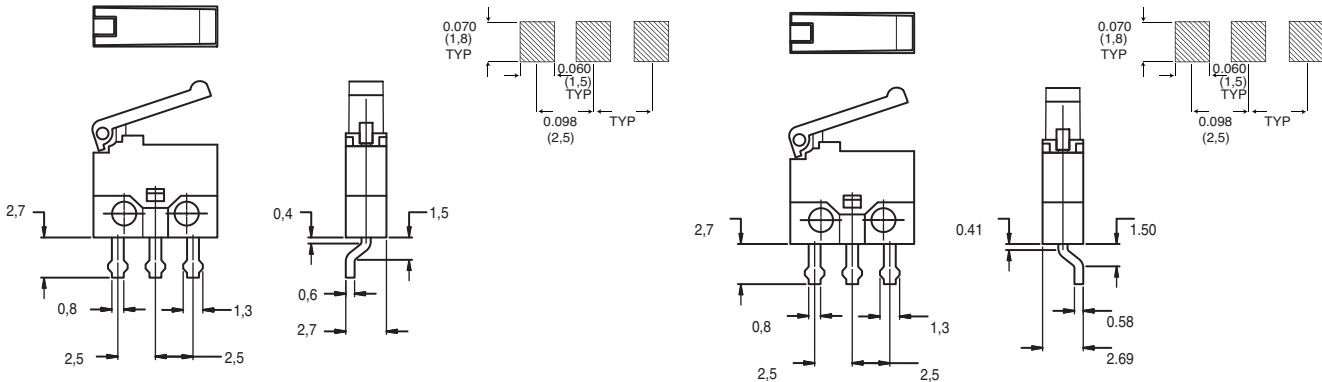
## TERMINATIONS

**SL** SMT, LEFT MOUNT

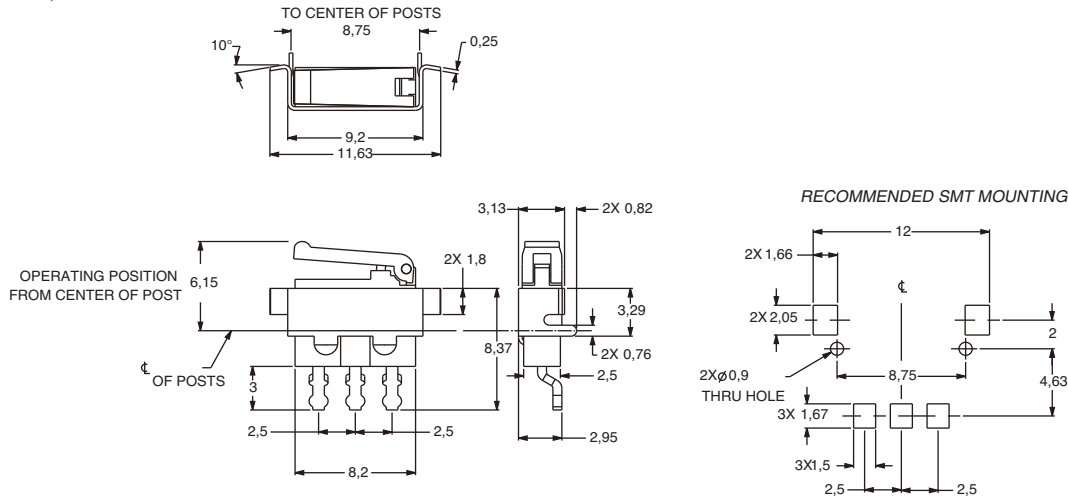
**SMT Mounting Pattern**

**SR** SMT, RIGHT MOUNT

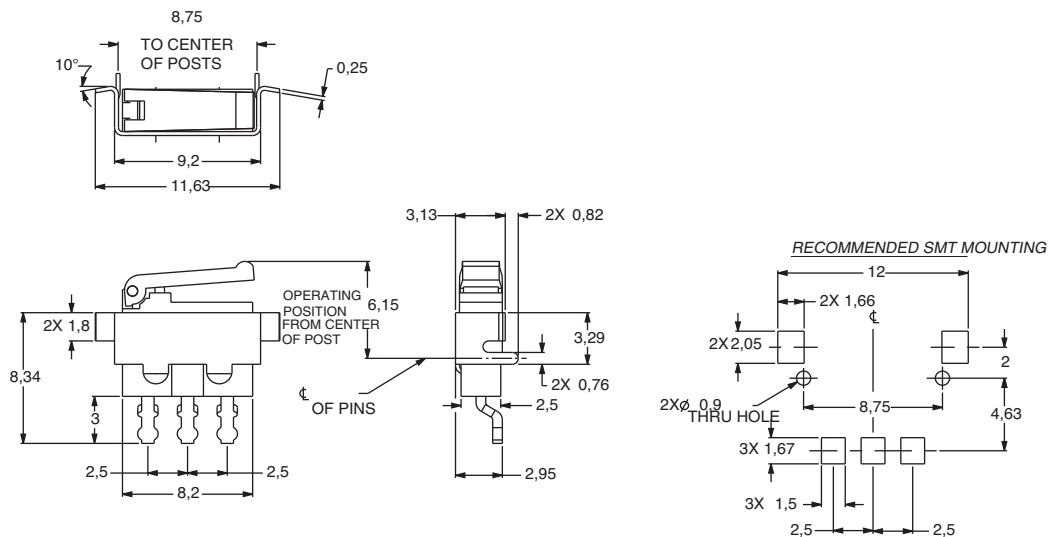
**SMT Mounting Pattern**



**CL** SMT, LEFT MOUNT WITH PINS



**CR** SMT, RIGHT MOUNT WITH PINS



**E**

**Detect**



Third Angle  
Projection

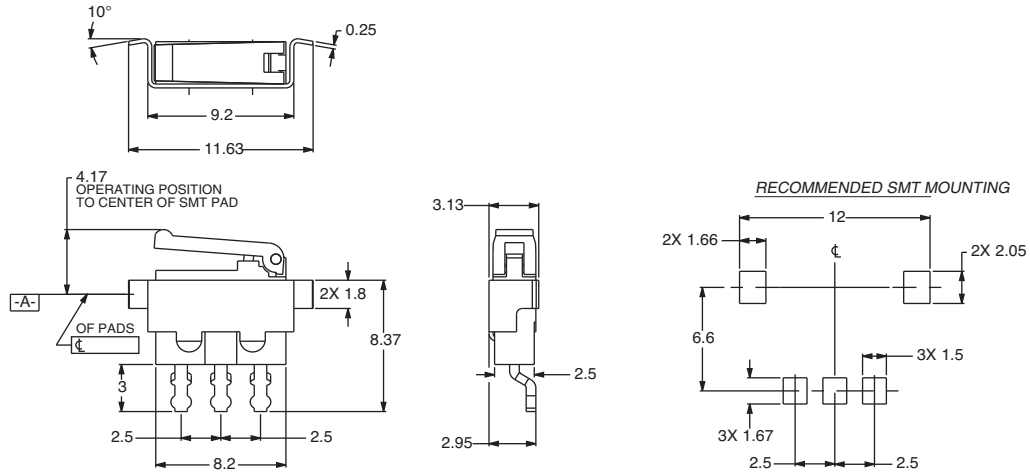


Dimensions are shown: mm  
Specifications and dimensions subject to change

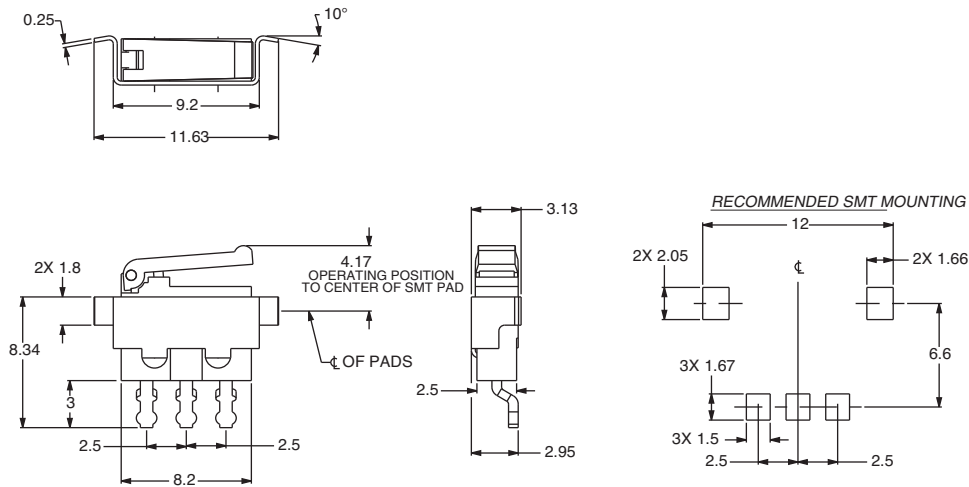
# MDS Series Micro Snap-acting Detect Switches

## TERMINATIONS

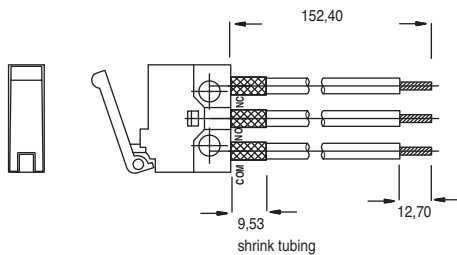
### BL SMT, LEFT NO PINS



### BR SMT, RIGHT NO PINS



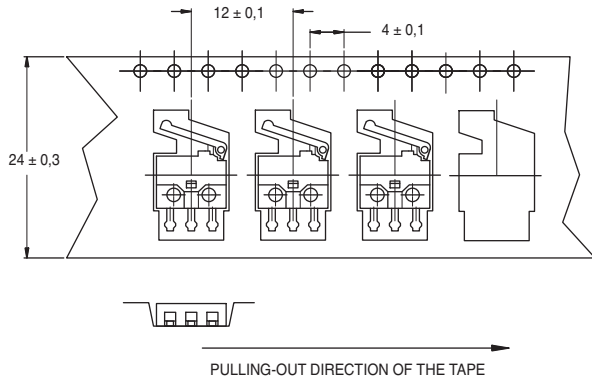
### WC WIRE LEADS, 6 INCHES



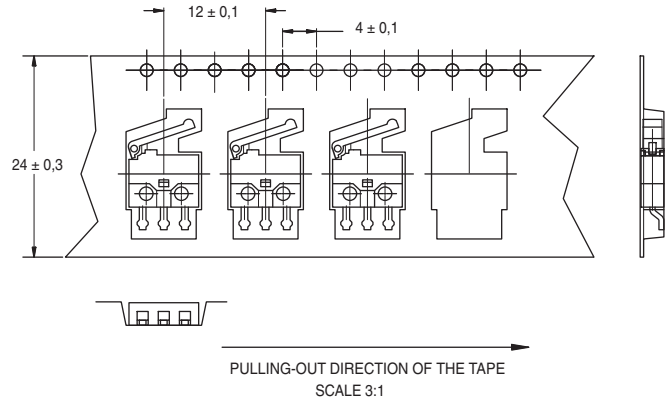
# MDS Series Micro Snap-acting Detect Switches

## TAPE & REEL

**SL** SMT, LEFT MOUNT



**SR** SMT, RIGHT MOUNT

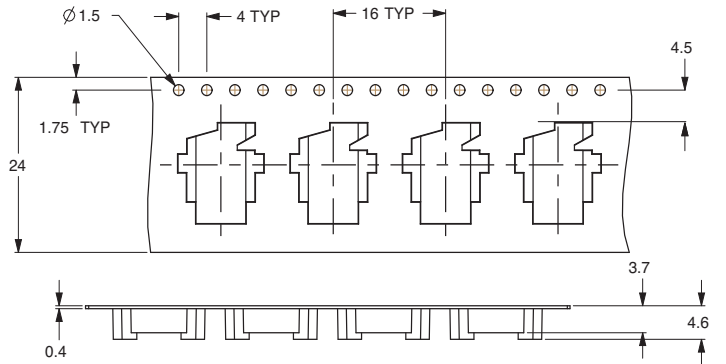
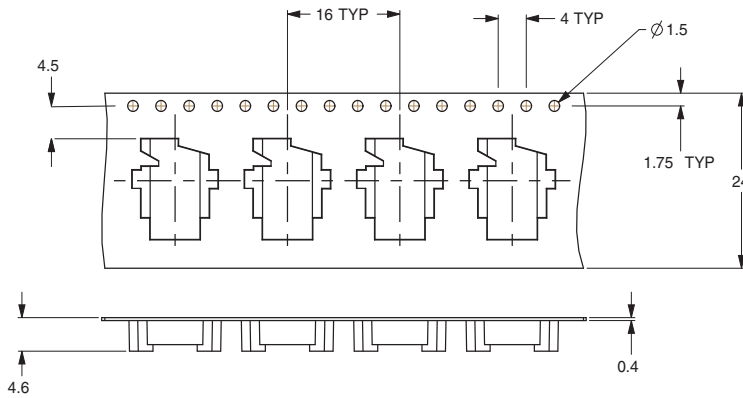


**CL** SMT, LEFT MOUNT

**CR** SMT, RIGHT MOUNT

**BL** SMT, LEFT MOUNT

**BR** SMT, RIGHT MOUNT

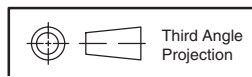


**E**

Supplied in carrier tape meeting the EIA-481-2 standard for 24mm tape.

Packaging quantity: SL and SR; 1,600 pieces per reel.  
CL, CR, BL and BR; 1,000 pieces per reel.

**Detect**



Third Angle  
Projection

Dimensions are shown: mm

Specifications and dimensions subject to change

