

PLEASE CHECK WWW.MOLEX.COM FOR LATEST PART INFORMATION

Part Number: [0500978100](#)
Status: **Active**
Description: 2.50mm (.098") Pitch Board-In Crimp Terminal, Male, 50097 Series, 20-24 AWG, Bag, for 51035 Housing

Documents:

[Drawing \(PDF\)](#) [Product Specification PS-51035-002 \(PDF\)](#)
[Product Specification PS-51035-001 \(PDF\)](#) [RoHS Certificate of Compliance \(PDF\)](#)

General

Product Family	Crimp Terminals
Series	50097
Crimp Quality Equipment	Yes
Product Name	Board-In

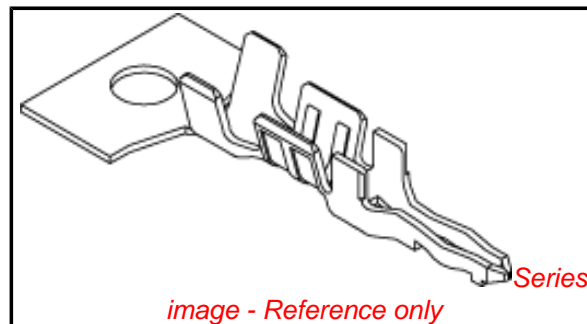
Physical

Gender	Male
Material - Metal	Phosphor Bronze
Material - Plating Mating	Tin
Material - Plating Termination	Tin
Packaging Type	Bag
Termination Interface: Style	Crimp or Compression
Wire Insulation Diameter	1.30-2.10mm (.051-.083")
Wire Size AWG	20, 22, 24
Wire Size mm ²	N/A

Material Info

Reference - Drawing Numbers

Product Specification	PS-51035-001, PS-51035-002, RPS-51035-001
Sales Drawing	SD-50097-8*00



EU RoHS

ELV and RoHS Compliant
REACH SVHC
Contains SVHC: No
Halogen-Free Status
Halogen-Free

China RoHS



Need more information on product environmental compliance?

Email productcompliance@molex.com
 For a multiple part number RoHS Certificate of Compliance, [click here](#)

Please visit the [Contact Us](#) section for any non-product compliance questions.

Search Parts in this Series

[50097Series](#)

Use With

[51035](#)

Application Tooling | FAQ

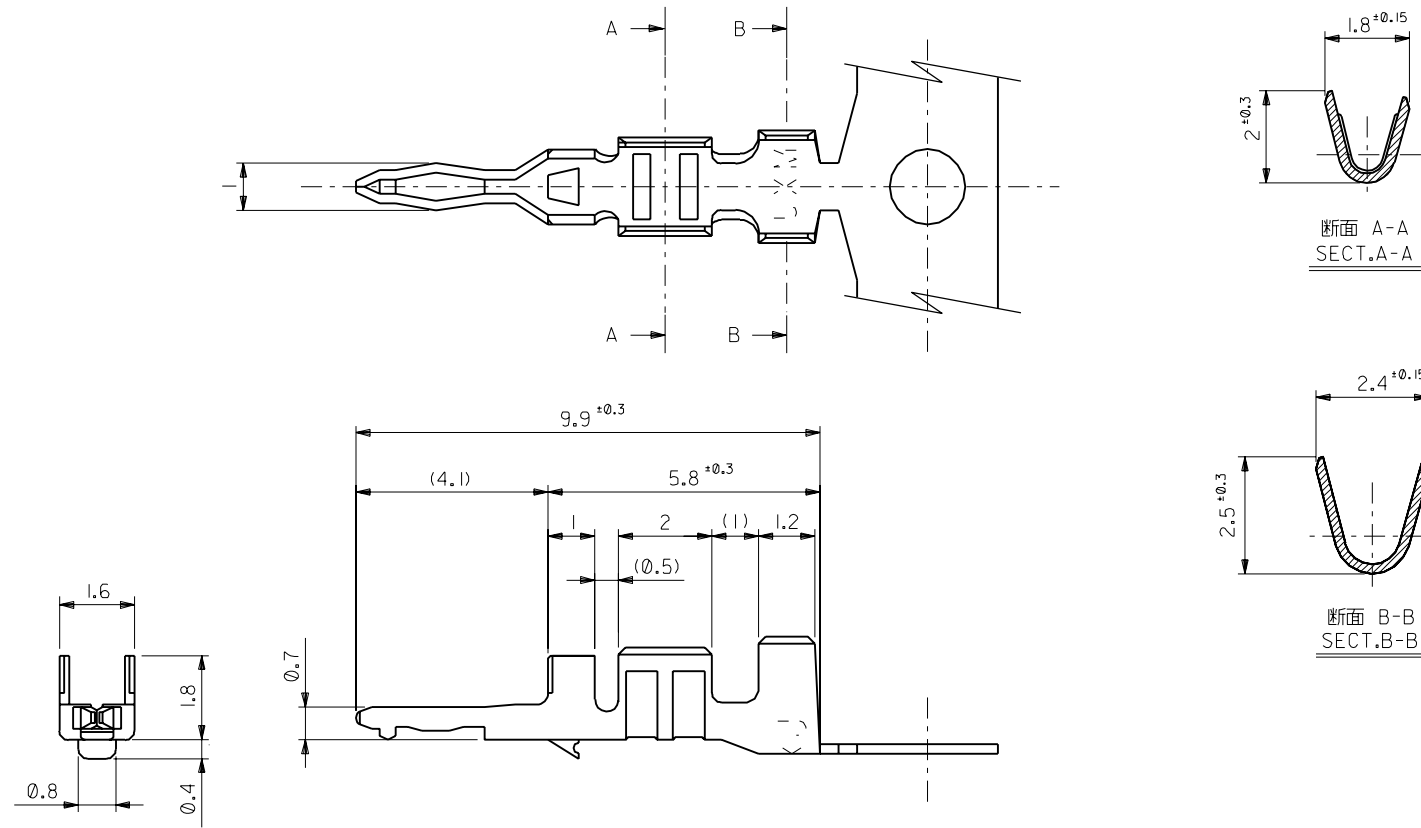
Tooling specifications and manuals are found by selecting the products below. Crimp Height Specifications are then contained in the Application Tooling Specification document.

Japan

Description	Product #
Hand Crimp Tool, 20-24 AWG, for 50097 Crimp Terminal	0571185000

DWG. NO.
SD-50097-8*00

MM DIMENSIONS IN METRIC DO NOT SCALE DRAWING



注記
NOTE

- 1. 適合ハウジング: 51035-**00
APPLICABLE HOUSING: 51035-**00

50097-8100	バラ状
50097-8000	連鎖状
ENG.NO.	形状

角度 ANGLE	±3°					材料 MATERIAL	リン青銅 (錫メッキ)
30 以上 OVER	+0.3					PHOSPHOR BRONZE	t=0.203
10 以上 OVER 30 未満 UNDER	+0.25					仕上げ FINISH	//
10 未満 UNDER	+0.2					適用電線範囲 WIRE RANGE	AWG #24~20 KV 0.2~0.5 AVS 0.3~0.5
一般公差 GENERAL TOLERANCES						被覆外径 INS. RANGE	φ 1.3~2.1
記号 LTR	C	変更内容 REVISION RECORD	REDRAWN	DR. CHK.	K.K. M.S	DATE	%/06/28
						APP'D BY	K.KITA M.SAKANO
						CHK'D BY	M.SAKANO
						尺度 SCALE	10:1

molex MOLEX-JAPAN CO.,LTD.
日本モレックス株式会社

REVISE ONLY ON CAD SYSTEM

TITLE 名称
BOARD IN CONNECTOR
CRIMP PIN

DWG. NO. SD-50097-8*00

REV C