

PLEASE CHECK WWW.MOLEX.COM FOR LATEST PART INFORMATION

Part Number: **0482580002**
Status: **Active**
Description: Universal Serial Bus (USB) Shielded I/O Receptacle, Type A, Right Angle, Sink Reverse Type, Mid Mount with side flange and Beveled Metal Pins, 0.76µm (30µ") Gold (Au) Plating, Lead free

Documents:

[3D Model](#) [Product Specification PS-48258-001 \(PDF\)](#)
[Drawing \(PDF\)](#) [RoHS Certificate of Compliance \(PDF\)](#)

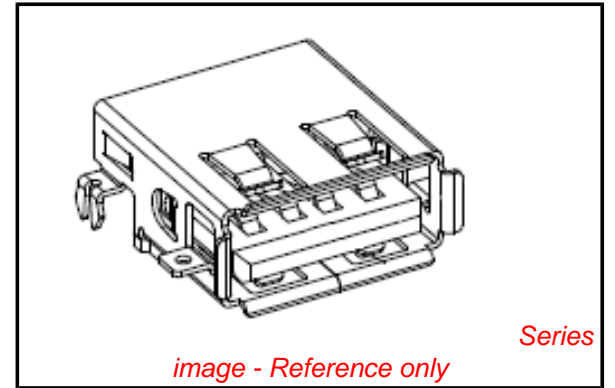
General

Product Family	I/O Connectors
Series	<u>48258</u>
Application	Wire-to-Board
Comments	USB A Sink
Component Type	Receptacle
Product Name	USB
Type	A
Physical	
Boot Color	N/A
Circuits (Loaded)	4
Circuits (maximum)	4
Gender	Male
Keying to Mating Part	Yes
Lock to Mating Part	Yes
Material - Plating Mating	Gold
Material - Plating Termination	Tin
Number of Rows	1
Orientation	Right Angle
PCB Retention	Yes
Packaging Type	Embossed Tape on Reel
Panel Mount	Yes
Pitch - Mating Interface (in)	0.098 In
Pitch - Mating Interface (mm)	2.50 mm
Pitch - Term. Interface (in)	0.098 In
Pitch - Term. Interface (mm)	2.50 mm
Plating min: Mating (µin)	30
Plating min: Mating (µm)	0.76
Plating min: Termination (µin)	120
Plating min: Termination (µm)	3.05
Polarized to Mating Part	Yes
Polarized to PCB	Yes
Ports	1
Surface Mount Compatible (SMC)	No
Temperature Range - Operating	-25°C to +85°C
Termination Interface: Style	Through Hole
Waterproof / Dustproof	No

Electrical

Current - Maximum per Contact	1.5A
Shield Type	Full Shield
Shielded	Yes
Voltage - Maximum	250V AC

Solder Process Data



EU RoHS

**ELV and RoHS
Compliant**
**REACH SVHC
Contains SVHC: No**
**Halogen-Free
Status**

China RoHS



Not Reviewed

**Need more information on product
environmental compliance?**

Email productcompliance@molex.com
For a multiple part number RoHS Certificate of Compliance, [click here](#)

Please visit the [Contact Us](#) section for any non-product compliance questions.

Search Parts in this Series

48258Series

Mates With

USB A Type Plug

Duration at Max. Process Temperature (seconds)	10
Lead-free Process Capability	Reflow Capable (SMT only)
Max. Cycles at Max. Process Temperature	1
Process Temperature max. C	260

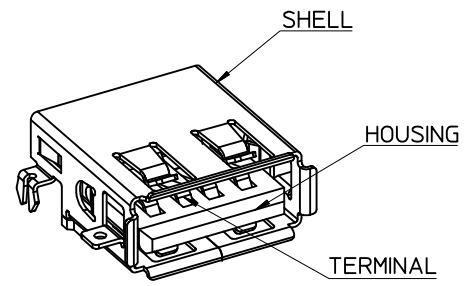
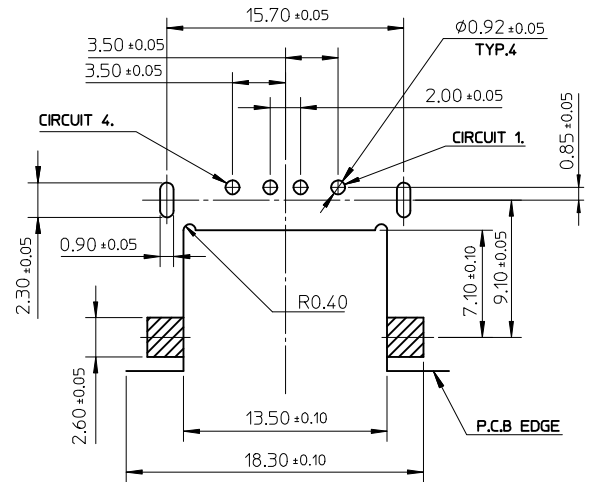
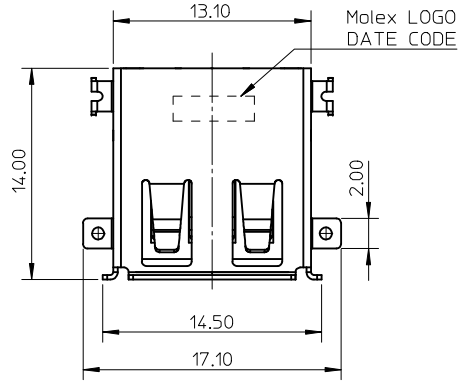
Material Info

Reference - Drawing Numbers

Packaging Specification	PK-48258-002
Product Specification	PS-48258-001
Sales Drawing	SD-48258-002
Test Summary	TS-48258-001

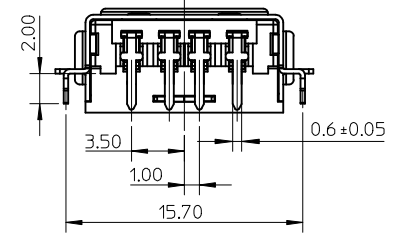
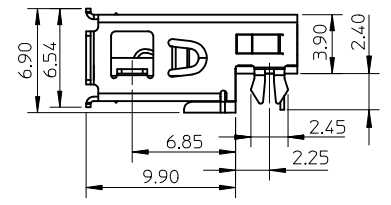
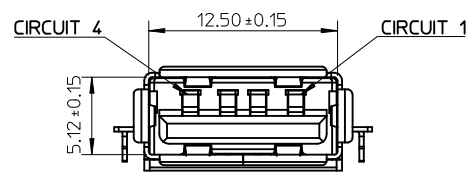
This document was generated on 05/06/2010

PLEASE CHECK WWW.MOLEX.COM FOR LATEST PART INFORMATION



- NOTES:
- MATERIAL:
HOUSING: NYLON PA9T, FIBER GLASS FILLED, UL94V-0, COLOR:BLACK.
TERMINAL: PHOSPHOR BRONZE.
METAL SHELL: BRASS.
 - FINISH:
TERMINAL:
SELECTIVE GOLD(AU) IN CONTACT AREA, THICKNESS=30 MICROINCH MINIMUM;
SELECTIVE TIN IN SOLDER TAIL AREA, THICKNESS=100 MICROINCH MINIMUM;
NICKEL(NI) OVERALL.
METAL SHELL:
NICKEL(NI) OVERALL;
THICKNESS=30 MICROINCH MINIMUM;
UNDER PLATED: COPPER(CU) OVERALL.
 - PRODUCT SPECIFICATION REFER TO PS-48258-001.
 - PACKAGE SPECIFICATION REFER TO PK-48258-002.
 - TEST SUMMARY REFER TO TS-48258-001
 - COPLANARITY TO BE 0.10 mm MAX.
 - LEAD FREE AND RoHS COMPLIANT PRODUCT.
 - DATE CODE:
X X X X X
DAY
WEEK
YEAR

RECOMMENDED PCB LAYOUT
THICKNESS:1.60MM



NEW RELEASE EC NO: SH2010-0115 DRW:NYANG05 CH:KD:HE APPR:RZHANG 2009/10/08 2009/10/09 2009/10/23	QUALITY SYMBOLS F _A =0 F _B =0 F _P =0	GENERAL TOLERANCES (UNLESS SPECIFIED)		DIMENSION STYLE MM ONLY		SCALE 1:1	DESIGN UNITS METRIC	THIRD ANGLE PROJECTION			
		4 PLACES ± --- ± ---	mm INCH	DRAWN BY TOO YANG	DATE 2009/05/12	TITLE USB A SINK REVERSE TYPE					
		3 PLACES ± --- ± ---		CHECKED BY DATE		MOLEX MOLEX INCORPORATED					
		2 PLACES ± 0.25 ± --- 1 PLACE ± 0.25 ± ---		APPROVED BY ROST ZHANG		DATE 2009/05/12	DOCUMENT NO. SD-48258-002		SHEET NO. 1 OF 1		
ANGULAR ± 2 °	DRAFT WHERE APPLICABLE MUST REMAIN WITHIN DIMENSIONS			MATERIAL NO. 48258-0002	THIS DRAWING CONTAINS INFORMATION THAT IS PROPRIETARY TO MOLEX INCORPORATED AND SHOULD NOT BE USED WITHOUT WRITTEN PERMISSION						