

**PLEASE CHECK WWW.MOLEX.COM FOR LATEST PART INFORMATION**

**Part Number:** [0351500410](#)  
**Status:** **Active**  
**Overview:** [versablade](#)  
**Description:** 6.20mm (.244") Pitch Wire-to-Wire VersaBlade™ Hybrid Plug Housing, with Mounting Ears, 4 Circuits, Polyester UL94V-0, Natural

**Documents:**

[3D Model](#) [RoHS Certificate of Compliance \(PDF\)](#)  
[Drawing \(PDF\)](#)

**Agency Certification**

CSA	LR19980
TUV	R72090206
UL	E29179

**General**

Product Family	Crimp Housings
Series	<a href="#">35150</a>
Comments	Polarized to Mating Part, Positive Lock
Overview	<a href="#">versablade</a>
Product Name	VersaBlade™

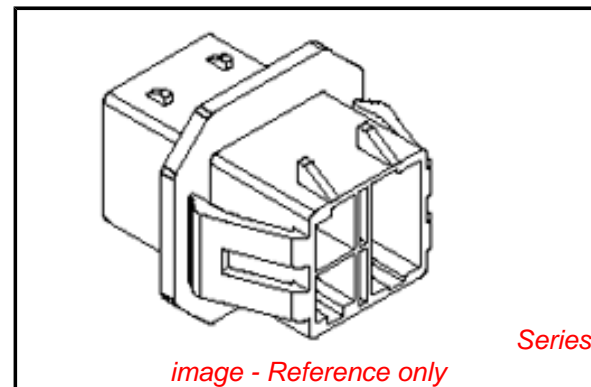
**Physical**

Circuits (maximum)	4
Color - Resin	Natural
Flammability	94V-0
Gender	Female
Glow-Wire Compliant	No
Keying to Mating Part	None
Lock to Mating Part	Yes
Material - Resin	Polyester
Number of Rows	2
Packaging Type	Bag
Panel Mount	Yes
Pitch - Mating Interface (in)	0.287 In
Pitch - Mating Interface (mm)	7.30 mm
Polarized to Mating Part	Yes
Stackable	No
Temperature Range - Operating	-40°C to +120°C

**Material Info**

**Reference - Drawing Numbers**

Sales Drawing	SD-35150-0410
---------------	---------------



*image - Reference only*

**EU RoHS**

**ELV and RoHS Compliant**

**REACH SVHC**

Not Reviewed

**Halogen-Free**

**Status**

**Not Reviewed**

**China RoHS**



**Need more information on product environmental compliance?**

Email [productcompliance@molex.com](mailto:productcompliance@molex.com)  
 For a multiple part number RoHS Certificate of Compliance, [click here](#)

Please visit the [Contact Us](#) section for any non-product compliance questions.

**Search Parts in this Series**

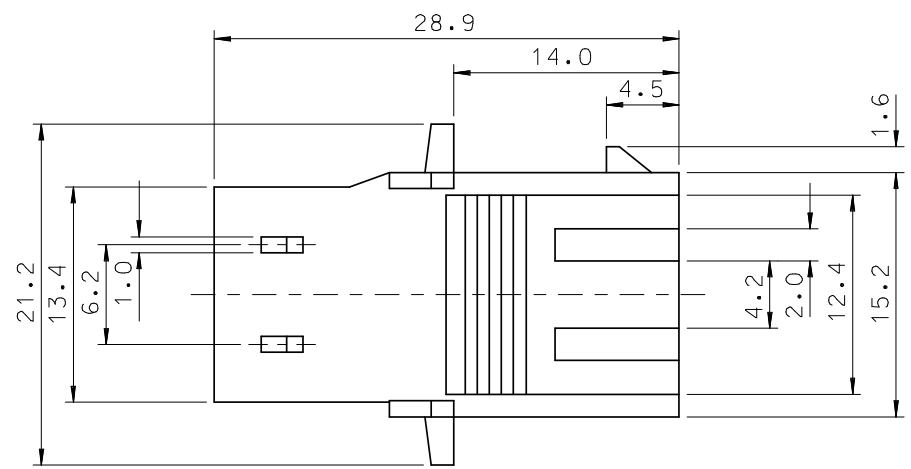
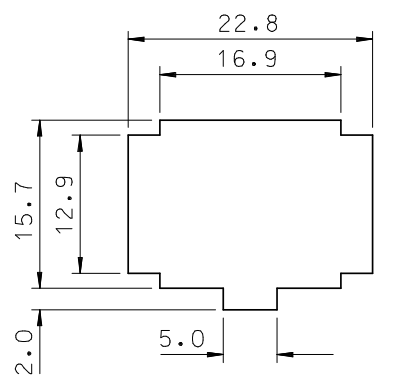
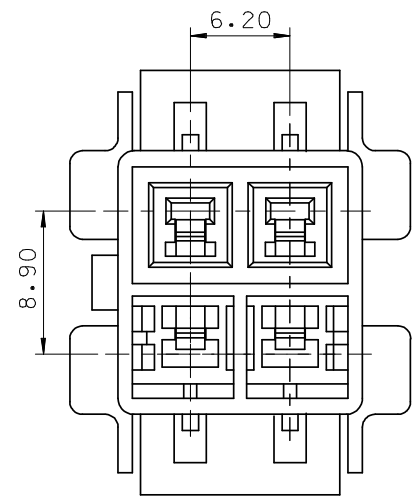
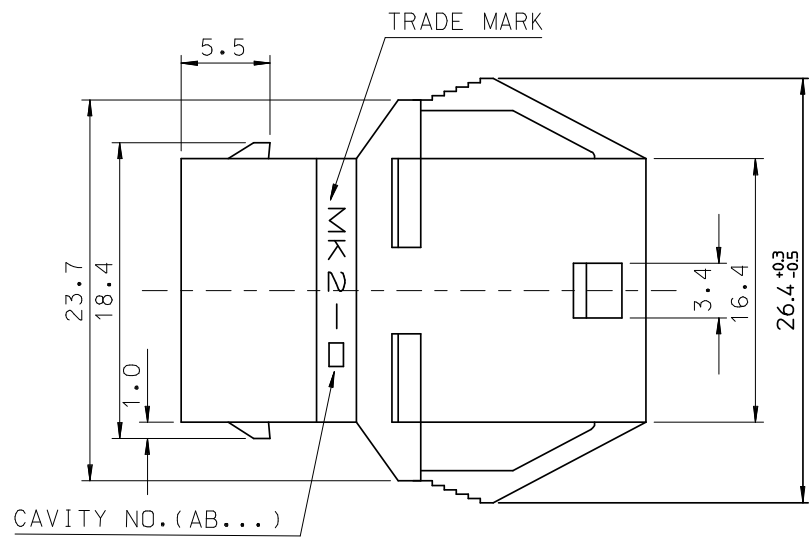
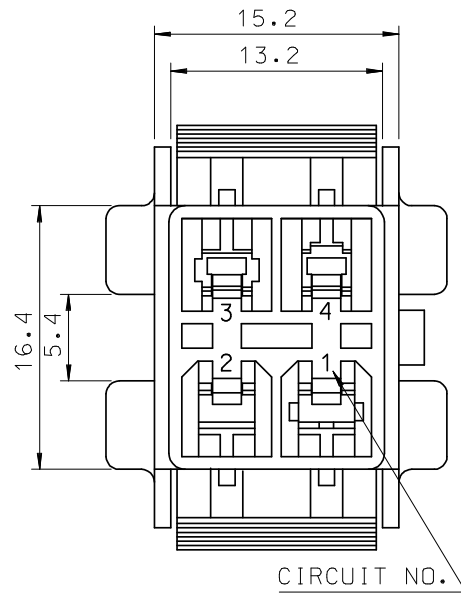
[35150Series](#)

**Mates With**

[35151-041\\*](#) Plug Housings

**Use With**

VersaBlade™ Crimp Terminals, [35745](#) , [35747](#) , [35746](#) , [35748](#) . [351500290](#) TPA™



- NOTES
1. MATERIAL : SEE TABLE
  2. MATED HOUSING: 35151-041\*
  3. APPLICABLE TERMINAL : 35745-\*\*\*\* (1CKT)  
35746-\*\*\*\* (3CKT)  
35747-\*\*\*\* (2CKT)  
35748-\*\*\*\* (4CKT)
  4. APPLICABLE T.P.A: 35150-0290

NO	PRODUCT		MATERIAL	
	PART NO	MATERIAL NO	COLOR	DESCRIPTION
1	35150-0410	351500410	NATURAL	PBT (UL94V-0)
2	35150-0412	351500412	RED	
3	35150-0414	351500414	BLUE	
4	35150-0419	351500419	NATURAL	PBT/PC (UL94V-0)
5	35150-3419	351503419	YELLOW	
6	35150-4419	351504419	BLUE	

REVISED	EC NO: KOR2008-0179	2008/04/29
	DRWN: SKHAN01	2008/04/29
	CHKD: WY. YANG	2008/04/29
	APPR: YUNS IKK IM	2008/04/29
REV	DESCRIPTION	

QUALITY SYMBOLS	GENERAL TOLERANCES (UNLESS SPECIFIED)	
	mm	INCH
▽=0	4 PLACES ±---	±---
▽=0	3 PLACES ±---	±---
	2 PLACES ±0.3	±---
	1 PLACE ±0.3	±---
	ANGULAR ± 1°	
	DRAFT WHERE APPLICABLE MUST REMAIN WITHIN DIMENSIONS	

DIMENSION STYLE		SCALE	DESIGN UNITS	THIRD ANGLE PROJECTION
MM ONLY		2:1	METRIC	☉
DRAWN BY	DATE	TITLE		
WY. YANG	1993/08/19	6.2 PITCH W/W MALE HOUSING-4P (EAR)		
CHECKED BY	DATE			
BK. CHOI	1993/08/19			
APPROVED BY	DATE	MOLEX INCORPORATED		
CW. LEE	1993/08/19	SD-35150-0410		
MATERIAL NO.	DOCUMENT NO.	SHEET NO.		
SEE TABLE		1 OF 01		
SIZE A3	THIS DRAWING CONTAINS INFORMATION THAT IS PROPRIETARY TO MOLEX INCORPORATED AND SHOULD NOT BE USED WITHOUT WRITTEN PERMISSION			