

**PLEASE CHECK WWW.MOLEX.COM FOR LATEST PART INFORMATION**

**Part Number:** **0190030085**  
**Status:** **Active**  
**Description:** InsulKrimp™ Quick Disconnect, Female, for 14-16 (2.00-1.30), Continuous Molded Strip, Tab 5.21mm (.205") x 0.51mm (

**Documents:**

[Drawing \(PDF\)](#) [RoHS Certificate of Compliance \(PDF\)](#)  
[Product Specification PS-19902-008 \(PDF\)](#)

**Agency Certification**

UL E79133

**General**

Product Family Quick Disconnects  
 Series 19003  
 Comments Funnel Entry  
 Crimp Quality Equipment Yes  
 Product Name InsulKrimp™  
 Type Quick Disconnect

**Physical**

Barrel Type Closed  
 Color - Resin Natural  
 Flammability 94V-2  
 Gender Female  
 Glow-Wire Compliant No  
 Insulation Nylon (PA)  
 Lock to Mating Part None  
 Material - Metal Brass  
 Material - Plating Mating Tin  
 Material - Plating Termination Tin  
 Material - Resin Nylon  
 Orientation Straight  
 Packaging Type Reel  
 Plating min: Mating (µin) 160  
 Plating min: Mating (µm) 4  
 Plating min: Termination (µin) 160  
 Plating min: Termination (µm) 4  
 Polarized to Mating Part No  
 Tab Thickness 0.51mm (.020")  
 Tab Width 5.21mm (.205")  
 Temperature Range - Operating -65°C to +105°C  
 Termination Interface: Style Crimp or Compression  
 Wire Insulation Diameter 4.06mm (.160") max.  
 Wire Size AWG 14, 16  
 Wire Size mm² 1.30 - 2.00

**Electrical**

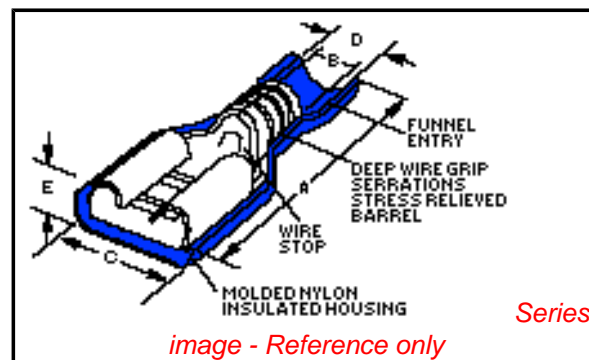
Voltage - Maximum 600V

**Material Info**

Old Part Number BB-2215C

**Reference - Drawing Numbers**

Product Specification PS-19902-008  
 Sales Drawing SD-19003-005



**EU RoHS**

**ELV and RoHS Compliant**  
**REACH SVHC**  
 Not Reviewed  
**Halogen-Free Status**  
 Not Reviewed

**China RoHS**



**Need more information on product environmental compliance?**

Email [productcompliance@molex.com](mailto:productcompliance@molex.com)  
 For a multiple part number RoHS Certificate of Compliance, [click here](#)

Please visit the [Contact Us](#) section for any non-product compliance questions.

**Search Parts in this Series**

19003Series

**Application Tooling | FAQ**

*Tooling specifications and manuals are found by selecting the products below. Crimp Height Specifications are then contained in the Application Tooling Specification document.*

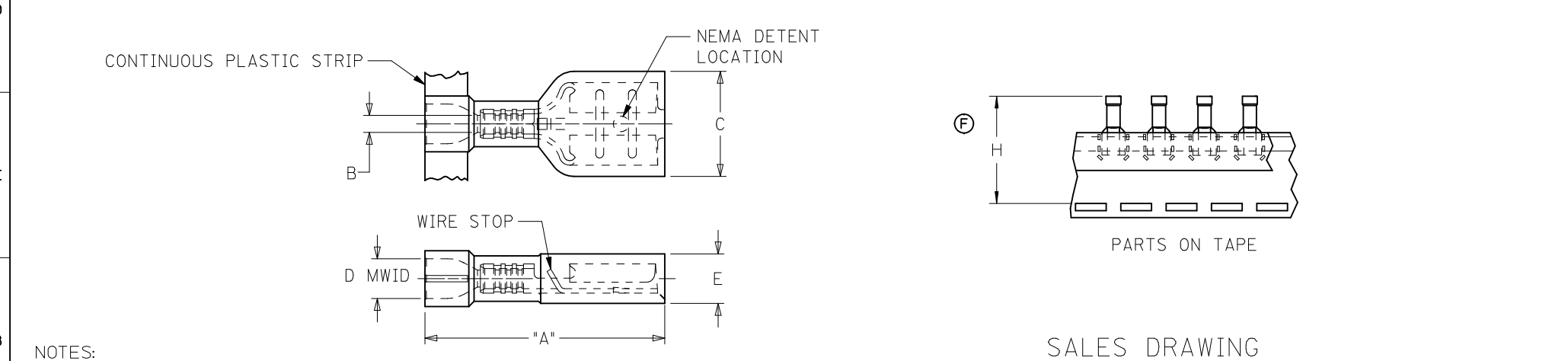
**Global**

Description	Product #
ACP Perishable Tool Kit used in ACP presses that process continuous molded product	<u>0190280040</u>
Mini-Mac™ Applicator	<u>0638834200</u>

This document was generated on 04/13/2010

**PLEASE CHECK [WWW.MOLEX.COM](http://WWW.MOLEX.COM) FOR LATEST PART INFORMATION**

10	9	8	7	6	5	4	3	2	19003						
LOOSE PIECE MATERIAL NUMBER	LOOSE PIECE ENGRNG NUMBER	CONTINUOUS STRIP MATERIAL NUMBER	CONTINUOUS STRIP ENGRNG NUMBER	MYLAR TAPE MATERIAL NUMBER	MYLAR TAPE ENGRNG NUMBER	WIRE RANGE AWG	FITS MALE TAB SIZE	INSULATION COLOR	STOCK THICK.	"A" MAX.	"B" MIN.	"C" MAX.	"D" MWID	"E" MAX.	"H" NOMINAL
190030071	M-2212	190030106	M-2212C	190030073	M-2212T	26-24	.250x.032 (6.35x0.81)	YELLOW	.016/0.41	.86/21.8	.030/0.76	.38/9.7	.075/1.90	.18/4.6	1.415/35.94
190030064	M-2210	190030103	M-2210C	190030067	M-2210T	26-24	.187x.020 (4.75x0.51)	YELLOW	.016/0.41	.78/19.8	.030/0.76	.32/8.1	.075/1.90	.16/4.1	1.375/34.93
190030068	M-2211	190030104	M-2211C	190030070	M-2211T	26-24	.187x.032 (4.75x0.81)	DK YELLOW	.016/0.41	.78/19.8	.030/0.76	.32/8.1	.075/1.90	.16/4.1	1.375/34.93
190030001	AA-2201	190030105	AA-2201C	190030003	AA-2201T	22-18	.250x.032 (6.35x0.81)	RED	.016/0.41	.86/21.8	.058/1.47	.38/9.7	.135/3.43	.18/4.6	1.415/35.94
190030036	AA-2213	190030109	AA-2213C	190030074	AA-2213T	22-18	.205x.020 (5.21x0.51)	RED	.016/0.41	.78/19.8	.058/1.47	.32/8.1	.135/3.43	.16/4.1	1.375/34.93
190030038	AA-2214	190030110	AA-2214C	190030075	AA-2214T	22-18	.205x.032 (5.21x0.81)	PINK	.016/0.41	.78/19.8	.058/1.47	.32/8.1	.135/3.43	.16/4.1	1.375/34.93
190030011	AA-2202	190030107	AA-2202C	190030013	AA-2202T	22-18	.187x.020 (4.75x0.51)	RED	.016/0.41	.78/19.8	.058/1.47	.32/8.1	.135/3.43	.16/4.1	1.375/34.93
190030017	AA-2203	190030108	AA-2203C	190030020	AA-2203T	22-18	.187x.032 (4.75x0.81)	PINK	.016/0.41	.78/19.8	.058/1.47	.32/8.1	.135/3.43	.16/4.1	1.375/34.93
190030024	AA-2204	190030097	AA-2204C	190030026	AA-2204T	22-18	.110x.020 (2.79x0.51)	RED	.012/0.30	.78/19.8	.058/1.47	.23/5.9	.135/3.43	.15/3.8	1.390/35.31
190030030	AA-2205	190030098	AA-2205C	190030032	AA-2205T	22-18	.110x.032 (2.79x0.81)	PINK	.012/0.30	.78/19.8	.058/1.47	.23/5.9	.135/3.43	.15/3.8	1.390/35.31
190030040	BB-2206	190030041	BB-2206C	190030042	BB-2206T	16-14	.250x.032 (6.35x0.81)	BLUE	.016/0.41	.86/21.8	.083/2.10	.38/9.7	.160/4.06	.18/4.6	1.415/35.94
190030062	BB-2215	190030085	BB-2215C	190030077	BB-2215T	16-14	.205x.020 (5.21x0.51)	BLUE	.016/0.41	.78/19.8	.083/2.10	.32/8.1	.160/4.06	.17/4.3	1.405/35.69
190030063	BB-2216	190030086	BB-2216C	190030078	BB-2216T	16-14	.205x.032 (5.21x0.81)	AQUA	.016/0.41	.78/19.8	.083/2.10	.32/8.1	.160/4.06	.17/4.3	1.405/35.69
190030050	BB-2207	190030051	BB-2207C	190030052	BB-2207T	16-14	.187x.020 (4.75x0.51)	BLUE	.016/0.41	.78/19.8	.083/2.10	.32/8.1	.160/4.06	.17/4.3	1.405/35.69
190030056	BB-2208	190030057	BB-2208C	190030058	BB-2208T	16-14	.187x.032 (4.75x0.81)	AQUA	.016/0.41	.78/19.8	.083/2.10	.32/8.1	.160/4.06	.17/4.3	1.405/35.69
196060002	19606-0002	196060001	19606-0001	196060003	19606-0003	12-10	.250x.032 (6.35x0.81)	YELLOW	.018/0.46	1.03/26.1	.120/3.04	.38/9.7	.235/5.97	.22/5.6	1.530/38.86



- NOTES:
- MATERIAL: TERMINAL: BRASS  
PLATING: ELECTRO-TIN  
FERRULE: BRASS  
PLATING: ELECTRO-TIN  
INSULATION: NYLON 6/6 94V-2.  
COLOR: SEE CHART
  - MWID = MAXIMUM WIRE INSULATION DIAMETER
  - PARTS ARE ROHS COMPLIANT.

SALES DRAWING

<b>BB 187 TAPE HTS</b> EC NO: WNA2010-0619 TDR: WNETHRODAHL 2010/04/12 CHKD: JMACNEIL 2010/04/13 APPR: JMACNEIL 2010/06/01	QUALITY SYMBOLS ▽=0 ▽=0	GENERAL TOLERANCES (UNLESS SPECIFIED)		DIMENSION STYLE		SCALE	DESIGN UNITS	THIRD ANGLE PROJECTION			
				IN/MM		---	INCH				
				mm	INCH	DRAWN BY	DATE	TITLE			
				4 PLACES ± --- ± ---	3 PLACES ± --- ± ---	BRE	02/03/20	INSULKRIMP FEMALE FIQD STANDARD FLARE			
		2 PLACES ± --- ± ---	1 PLACE ± --- ± ---	HEB	02/03/20	MOLEX INCORPORATED					
		ANGULAR ± ---°		APPROVED BY	DATE	DOCUMENT NO.		SHEET NO.			
		DRAFT WHERE APPLICABLE MUST REMAIN WITHIN DIMENSIONS		RWD	02/03/20	SD-19003-005		1 OF 1			
				MATERIAL NO.		SEE CHART		THIS DRAWING CONTAINS INFORMATION THAT IS PROPRIETARY TO MOLEX INCORPORATED AND SHOULD NOT BE USED WITHOUT WRITTEN PERMISSION			