

ECG[®]

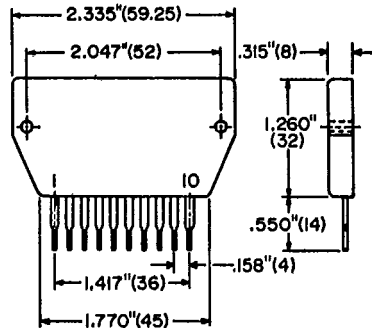
Semiconductors

ECG1320

25 W AF Power Amplifier

Features

- Thick film hybrid module
- Darlington power pack.
- Dual power supply
- Output stage for AF high power amp



Absolute Maximum Ratings

Characteristic	Symbol	Rating	Unit
Supply Voltage	V_{CC}	± 37	V
Collector Current	I_C	5	A
Junction Temperature	T_j	150	$^{\circ}\text{C}$
Storage Temperature	T_{stg}	-30 to +105	$^{\circ}\text{C}$
Thermal Resistance	θ	2.4	$^{\circ}\text{C}/\text{W}$
Allowable Load Shorting Time	t_s $f = 60 \text{ Hz}$ $P_o = 25 \text{ W}$	2	sec

Operational Characteristics ($T_A = 25^{\circ}\text{C}$, $V_{CC} = \pm 25 \text{ V}$, $R_L = 8 \Omega$, $R_g = 600 \Omega$, $V_g = 40 \text{ dB}$)

Characteristic	Symbol	Test Condition	Min	Typ	Max	Unit
Quiescent Current	I_{CCO}	$V_{CC} = \pm 30 \text{ V}$		40	80	mA
Output Power	P_o	THD = 0.1% $f = 20 \text{ to } 20 \text{ kHz}$	25			W
Total Harmonic Distortion	THD-1 THD-2	$P_o = 1 \text{ to } 25 \text{ W}$ $f = 20 \text{ to } 20 \text{ kHz}$ $P_o = 1 \text{ W}, f = 1 \text{ kHz}$		0.02	0.1	%

Equivalent Circuit

