

**PLEASE CHECK WWW.MOLEX.COM FOR LATEST PART INFORMATION**

**Part Number:** [0705630112](#)  
**Status:** **Active**  
**Overview:** [cgrid\\_sl\\_products](#)  
**Description:** 2.54mm (.100") Pitch SL™ Header, Single Row, Vertical, .180" Pocket, Shrouded, 8 Circuits, 0.76µm (30µ") Gold (Au) Selective Plating, Tin (Sn) PC Tail Plating

**Documents:**

|                                               |                                                      |
|-----------------------------------------------|------------------------------------------------------|
| <a href="#">3D Model</a>                      | <a href="#">Product Specification PS-70400 (PDF)</a> |
| <a href="#">Packaging Specification (PDF)</a> | <a href="#">Product Specification PS-70541 (PDF)</a> |
| <a href="#">Drawing (PDF)</a>                 | <a href="#">RoHS Certificate of Compliance (PDF)</a> |

**Agency Certification**

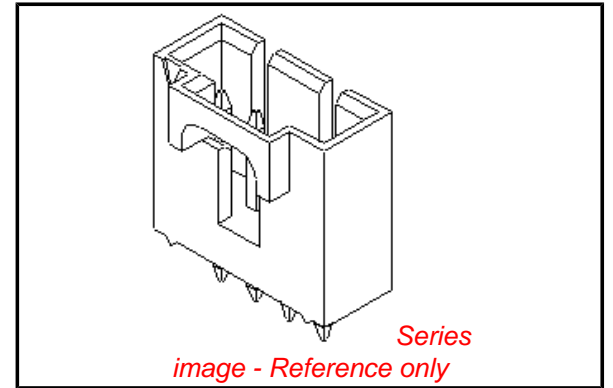
|     |         |
|-----|---------|
| CSA | LR19980 |
| UL  | E29179  |

**General**

|                |                                   |
|----------------|-----------------------------------|
| Product Family | PCB Headers                       |
| Series         | <a href="#">70563</a>             |
| Application    | Wire-to-Board                     |
| Overview       | <a href="#">cgrid_sl_products</a> |
| Product Name   | SL™                               |

**Physical**

|                                |                                |
|--------------------------------|--------------------------------|
| Breakaway                      | No                             |
| Circuits (Loaded)              | 8                              |
| Circuits (maximum)             | 8                              |
| Color - Resin                  | Black                          |
| Durability (mating cycles max) | 50                             |
| Flammability                   | 94V-0                          |
| Glow-Wire Compliant            | No                             |
| Guide to Mating Part           | Yes                            |
| Lock to Mating Part            | Yes                            |
| Material - Metal               | Brass, Phosphor Bronze         |
| Material - Plating Mating      | Gold                           |
| Material - Plating Termination | Tin                            |
| Material - Resin               | High Temperature Thermoplastic |
| Number of Rows                 | 1                              |
| Orientation                    | Vertical                       |
| PC Tail Length (in)            | 0.130 In                       |
| PC Tail Length (mm)            | 3.30 mm                        |
| PCB Locator                    | No                             |
| PCB Retention                  | None                           |
| PCB Thickness Recommended (in) | 0.062 In                       |
| PCB Thickness Recommended (mm) | 1.60 mm                        |
| Packaging Type                 | Tube                           |
| Pitch - Mating Interface (in)  | 0.100 In                       |
| Pitch - Mating Interface (mm)  | 2.54 mm                        |
| Plating min: Mating (µin)      | 30                             |
| Plating min: Mating (µm)       | 0.75                           |
| Plating min: Termination (µin) | 75                             |
| Plating min: Termination (µm)  | 1.875                          |
| Polarized to Mating Part       | Yes                            |
| Shrouded                       | Fully                          |
| Stackable                      | No                             |
| Temperature Range - Operating  | -40°C to +105°C                |
| Termination Interface: Style   | Through Hole                   |



**EU RoHS**

**ELV and RoHS Compliant**  
**REACH SVHC**  
 Not Reviewed  
**Halogen-Free Status**  
 Not Reviewed

**China RoHS**



**Need more information on product environmental compliance?**

Email [productcompliance@molex.com](mailto:productcompliance@molex.com)  
 For a multiple part number RoHS Certificate of Compliance, [click here](#)

Please visit the [Contact Us](#) section for any non-product compliance questions.

**Search Parts in this Series**

[70563Series](#)

**Mates With**

[70004](#)

**Electrical**

Current - Maximum per Contact  
Voltage - Maximum

3A  
250V

**Solder Process Data**

Lead-free Process Capability

Wave Capable (TH only)

**Material Info****Reference - Drawing Numbers**

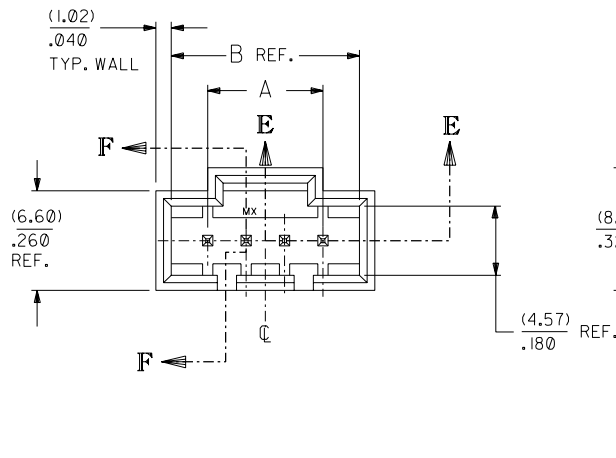
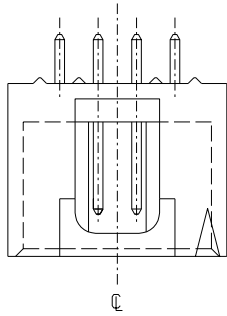
Packaging Specification  
Product Specification  
Sales Drawing

PK-70873-0016  
PS-70400, PS-70541  
SDA-70563-\*\*\*\*

This document was generated on 05/28/2010

**PLEASE CHECK [WWW.MOLEX.COM](http://WWW.MOLEX.COM) FOR LATEST PART INFORMATION**

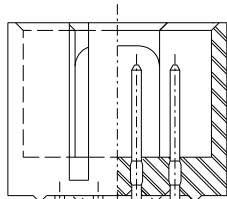
OPTION "C"



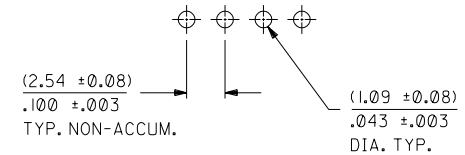
(0.64) / .025 SQ. PINS  
PHOSPHOR BRONZE

(2.54) / .100 TYP. REF.

SECTION E-E



SECTION F-F



RECOMMENDED P.C. BOARD LAYOUT  
(FOR USE WITH (1.57) / .062 THICK BOARD)

• THE PRIMARY SHIPPING CARTON WILL BE LABELED "COMPLIANT TO ROHS DIRECTIVE 2002/95/EC AND ELV ANNEX II OF DIRECTIVE 2000/53/EC". CARTONS WITHOUT THIS LABEL MAY CONTAIN PRODUCT WITH LEAD.

PLATING PER E.S.-88-\*\*\*

- TIN - .000150 MINIMUM TIN PLATE OVER  
.000050 MINIMUM NICKEL PLATE OVER-ALL.
- 15 GOLD - .000015 MINIMUM GOLD IN SELECT AREA  
.000075 MINIMUM TIN IN SELECT AREA  
.000050 MINIMUM NICKEL PLATE OVER-ALL.
- 30 GOLD - .000030 MINIMUM GOLD IN SELECT AREA  
.000075 MINIMUM TIN IN SELECT AREA  
.000050 MINIMUM NICKEL PLATE OVER-ALL.

|      |     |      |
|------|-----|------|
|      | 2   | B    |
|      | 1   | B    |
| MFG. | SH. | REV. |

NOTES

- 1) MATERIAL: G.F. THERMOPLASTIC, 94V-0, COLOR-BLACK.
- 2) HEADER TO BE USED WITH NO. 70004 INTERIM CLIP, VERSION "A".
- 3) REFER TO PRODUCT SPEC: P.S.-70541.
- 4) STANDARD PACKAGING PER PK-70873-0016. OPTIONAL PACKAGING MAY BE AVAILABLE. (SEE DRAWING PK-70563-\*\*\*\* FOR ORDER NUMBERS)

| CKT. SIZE | "A"   |       | "B" REF. |       |
|-----------|-------|-------|----------|-------|
|           | MM    | IN.   | MM       | IN.   |
| 4         | 7.62  | .300  | 12.45    | .490  |
| 5         | 10.16 | .400  | 14.99    | .590  |
| 6         | 12.70 | .500  | 17.53    | .690  |
| 7         | 15.24 | .600  | 20.07    | .790  |
| 8         | 17.78 | .700  | 22.61    | .890  |
| 9         | 20.32 | .800  | 25.15    | .990  |
| 10        | 22.86 | .900  | 27.69    | 1.090 |
| 11        | 25.40 | 1.000 | 30.23    | 1.190 |
| 12        | 27.94 | 1.100 | 32.77    | 1.290 |
| 13        | 30.48 | 1.200 | 35.31    | 1.390 |
| 14        | 33.02 | 1.300 | 37.85    | 1.490 |
| 15        | 35.56 | 1.400 | 40.39    | 1.590 |
| 16        | 38.10 | 1.500 | 42.93    | 1.690 |
| 17        | 40.64 | 1.600 | 45.47    | 1.790 |
| 18        | 43.18 | 1.700 | 48.01    | 1.890 |
| 19        | 45.72 | 1.800 | 50.55    | 1.990 |
| 20        | 48.26 | 1.900 | 53.09    | 2.090 |
| 21        | 50.80 | 2.000 | 55.63    | 2.190 |
| 22        | 53.34 | 2.100 | 58.17    | 2.290 |
| 23        | 55.88 | 2.200 | 60.71    | 2.390 |
| 24        | 58.42 | 2.300 | 63.25    | 2.490 |
| 25        | 60.96 | 2.400 | 65.79    | 2.590 |

|                                                                                            |     |                                                                    |  |
|--------------------------------------------------------------------------------------------|-----|--------------------------------------------------------------------|--|
| DIMENSIONS SHOWN (METRIC) INCH<br>UNLESS OTHERWISE SPECIFIED<br>TOLERANCES: ANGULAR ± 1/2° |     | ▽ = 0 ▼ = 0 REVISE ONLY ON CAD SYSTEM                              |  |
| INCH METRIC                                                                                |     | TITLE                                                              |  |
| 3 PLACE ± .010                                                                             | --- | SALES ASSEMBLY<br>HEADER - STRAIGHT MOUNT<br>100 CENTERS           |  |
| 2 PLACE ± .014 ± 0.25                                                                      | --- | MOLEX INCORPORATED U.S.A.                                          |  |
| 1 PLACE --- ± 0.35                                                                         | --- | SHEET NO. DATE<br>1 OF 2 05/13/93                                  |  |
| DRAFT WHERE APPLICABLE MUST<br>REMAIN WITHIN DIMENSIONS                                    |     | PART NO. DRWG. NO.                                                 |  |
| DRWG. BY: AAB CHK'D. BY: AAB                                                               |     | SEE CHART SDA-70563-****                                           |  |
| APP'D. BY: WAZ SCALE: 4 : 1                                                                |     | FILE NAME: 570563X1.DGN                                            |  |
| L.T.R. REVISIONS                                                                           |     | MFG. SH. REV.                                                      |  |
| L.T.R. REVISIONS                                                                           |     | M.O.L.E.X. INC. AND SHOULD NOT BE USED WITHOUT WRITTEN PERMISSION. |  |

|   |                                |                                  |    |    |   |   |   |   |   |                       |                        |      |                |
|---|--------------------------------|----------------------------------|----|----|---|---|---|---|---|-----------------------|------------------------|------|----------------|
|   | 13                             | 12                               | 11 | 10 | 9 | 8 | 7 | 6 | 5 | 4                     | 3                      | 2    | 1              |
|   | ENGINEERING NUMBER<br>A-70563- | MANUFACTURE<br>RELEASE<br>STATUS |    |    |   |   |   |   |   | CONNECTOR END PLATING | P.C. BOARD END PLATING |      |                |
|   |                                |                                  |    |    |   |   |   |   |   | TYPE                  | H<br>MEAS.             | TYPE | K<br>MEAS.     |
| J | -0003-0024                     | R.F.M.                           |    |    |   |   |   |   |   | 15 GOLD               | (2,54)<br>.100         | TIN  | (1,27)<br>.050 |
|   | -0038-0059                     | R.F.M.                           |    |    |   |   |   |   |   | TIN                   | (2,54)<br>.100         | TIN  | (1,27)<br>.050 |
| I | -0073-0094                     |                                  |    |    |   |   |   |   |   |                       |                        |      |                |
|   | -0108-0129                     | R.F.M.                           |    |    |   |   |   |   |   | 30 GOLD               | (2,54)<br>.100         | TIN  | (1,27)<br>.050 |
| H |                                |                                  |    |    |   |   |   |   |   |                       |                        |      |                |

|   |      |             |              |             |              |            |              |             |              |            |            |            |            |            |            |      |
|---|------|-------------|--------------|-------------|--------------|------------|--------------|-------------|--------------|------------|------------|------------|------------|------------|------------|------|
| G | CKTS | EDP NUMBER  | ENG NUMBER   | EDP NUMBER  | ENG NUMBER   | EDP NUMBER | ENG NUMBER   | EDP NUMBER  | ENG NUMBER   | EDP NUMBER | ENG NUMBER | EDP NUMBER | ENG NUMBER | EDP NUMBER | ENG NUMBER | CKTS |
|   | 02   | N.A.        | N.A.         | N.A.        | N.A.         | N.A.       | N.A.         | N.A.        | N.A.         |            |            |            |            |            |            | 02   |
|   | 03   | N.A.        | N.A.         | N.A.        | N.A.         | N.A.       | N.A.         | N.A.        | N.A.         |            |            |            |            |            |            | 03   |
|   | 04   | 705-63-0003 | A-70563-0003 | 705-63-0038 | A-70563-0038 |            | A-70563-0073 | 705-63-0108 | A-70563-0108 |            |            |            |            |            |            | 04   |
|   | 05   | 705-63-0004 | A-70563-0004 | 705-63-0039 | A-70563-0039 |            | A-70563-0074 | 705-63-0109 | A-70563-0109 |            |            |            |            |            |            | 05   |
|   | 06   | 705-63-0005 | A-70563-0005 | 705-63-0040 | A-70563-0040 |            | A-70563-0075 | 705-63-0110 | A-70563-0110 |            |            |            |            |            |            | 06   |
| F | 07   | 705-63-0006 | A-70563-0006 | 705-63-0041 | A-70563-0041 |            | A-70563-0076 | 705-63-0111 | A-70563-0111 |            |            |            |            |            |            | 07   |
|   | 08   | 705-63-0007 | A-70563-0007 | 705-63-0042 | A-70563-0042 |            | A-70563-0077 | 705-63-0112 | A-70563-0112 |            |            |            |            |            |            | 08   |
|   | 09   | 705-63-0008 | A-70563-0008 | 705-63-0043 | A-70563-0043 |            | A-70563-0078 | 705-63-0113 | A-70563-0113 |            |            |            |            |            |            | 09   |
|   | 10   | 705-63-0009 | A-70563-0009 | 705-63-0044 | A-70563-0044 |            | A-70563-0079 | 705-63-0114 | A-70563-0114 |            |            |            |            |            |            | 10   |
|   | 11   | 705-63-0010 | A-70563-0010 | 705-63-0045 | A-70563-0045 |            | A-70563-0080 | 705-63-0115 | A-70563-0115 |            |            |            |            |            |            | 11   |
|   | 12   | 705-63-0011 | A-70563-0011 | 705-63-0046 | A-70563-0046 |            | A-70563-0081 | 705-63-0116 | A-70563-0116 |            |            |            |            |            |            | 12   |
| E | 13   | 705-63-0012 | A-70563-0012 | 705-63-0047 | A-70563-0047 |            | A-70563-0082 | 705-63-0117 | A-70563-0117 |            |            |            |            |            |            | 13   |
|   | 14   | 705-63-0013 | A-70563-0013 | 705-63-0048 | A-70563-0048 |            | A-70563-0083 | 705-63-0118 | A-70563-0118 |            |            |            |            |            |            | 14   |
|   | 15   | 705-63-0014 | A-70563-0014 | 705-63-0049 | A-70563-0049 |            | A-70563-0084 | 705-63-0119 | A-70563-0119 |            |            |            |            |            |            | 15   |
|   | 16   | 705-63-0015 | A-70563-0015 | 705-63-0050 | A-70563-0050 |            | A-70563-0085 | 705-63-0120 | A-70563-0120 |            |            |            |            |            |            | 16   |
|   | 17   | 705-63-0016 | A-70563-0016 | 705-63-0051 | A-70563-0051 |            | A-70563-0086 | 705-63-0121 | A-70563-0121 |            |            |            |            |            |            | 17   |
|   | 18   | 705-63-0017 | A-70563-0017 | 705-63-0052 | A-70563-0052 |            | A-70563-0087 | 705-63-0122 | A-70563-0122 |            |            |            |            |            |            | 18   |
|   | 19   | 705-63-0018 | A-70563-0018 | 705-63-0053 | A-70563-0053 |            | A-70563-0088 | 705-63-0123 | A-70563-0123 |            |            |            |            |            |            | 19   |
| D | 20   | 705-63-0019 | A-70563-0019 | 705-63-0054 | A-70563-0054 |            | A-70563-0089 | 705-63-0124 | A-70563-0124 |            |            |            |            |            |            | 20   |
|   | 21   | 705-63-0020 | A-70563-0020 | 705-63-0055 | A-70563-0055 |            | A-70563-0090 | 705-63-0125 | A-70563-0125 |            |            |            |            |            |            | 21   |
|   | 22   | 705-63-0021 | A-70563-0021 | 705-63-0056 | A-70563-0056 |            | A-70563-0091 | 705-63-0126 | A-70563-0126 |            |            |            |            |            |            | 22   |
|   | 23   | 705-63-0022 | A-70563-0022 | 705-63-0057 | A-70563-0057 |            | A-70563-0092 | 705-63-0127 | A-70563-0127 |            |            |            |            |            |            | 23   |
|   | 24   | 705-63-0023 | A-70563-0023 | 705-63-0058 | A-70563-0058 |            | A-70563-0093 | 705-63-0128 | A-70563-0128 |            |            |            |            |            |            | 24   |
|   | 25   | 705-63-0024 | A-70563-0024 | 705-63-0059 | A-70563-0059 |            | A-70563-0094 | 705-63-0129 | A-70563-0129 |            |            |            |            |            |            | 25   |

|   |  |  |  |  |  |  |  |  |  |  |  |  |  |  |  |  |
|---|--|--|--|--|--|--|--|--|--|--|--|--|--|--|--|--|
| C |  |  |  |  |  |  |  |  |  |  |  |  |  |  |  |  |
| B |  |  |  |  |  |  |  |  |  |  |  |  |  |  |  |  |

|                                                                                           |                            |                                                                                                             |  |
|-------------------------------------------------------------------------------------------|----------------------------|-------------------------------------------------------------------------------------------------------------|--|
| DIMENSIONS SHOWN (METRIC) INCH<br>UNLESS OTHERWISE SPECIFIED<br>TOLERANCES ANGULAR ± 1/2° |                            | ▽ = 0   ▽ = 0   REVISE ONLY ON CAD SYSTEM                                                                   |  |
| 3 PLACE ± --- ---<br>2 PLACE ± --- ± ---<br>1 PLACE --- ± ---                             |                            | TITLE<br>SALES ASSEMBLY<br>HEADER - STRAIGHT MOUNT<br>100 CENTERS                                           |  |
| DRAWING WHERE APPLICABLE MUST<br>REMAIN WITHIN DIMENSIONS                                 |                            | MOLEX INCORPORATED   SHEET NO.   DATE<br>LITLLE, ILL.   60532   U.S.A.   2   05/13/93                       |  |
| PART NO.   DRWG. NO.<br>SEE CHART   SDA-70563-****                                        |                            | FILE NAME   DIV.   SIZE<br>570563X2   MOLEX INC. AND SHOULD NOT BE USED WITHOUT WRITTEN PERMISSION   DA   C |  |
| DRWG. BY: AAB   CHK'D. BY: AAB                                                            | APPR'D. BY: WAZ   SCALE: : |                                                                                                             |  |
| LTR.   REVISIONS                                                                          | LTR.   REVISIONS           |                                                                                                             |  |

|    |    |    |    |   |   |   |   |   |   |   |   |   |
|----|----|----|----|---|---|---|---|---|---|---|---|---|
| 13 | 12 | 11 | 10 | 9 | 8 | 7 | 6 | 5 | 4 | 3 | 2 | 1 |
|----|----|----|----|---|---|---|---|---|---|---|---|---|