

PLEASE CHECK WWW.MOLEX.COM FOR LATEST PART INFORMATION

Part Number: [0681310231](#)
Status: **Active**
Description: Automotive Filtered Horn Header, Rivet Diameter 100.00mm (3.937"), 2 Circuits, Black

Documents:

[3D Model](#)
[Drawing \(PDF\)](#)

[RoHS Certificate of Compliance \(PDF\)](#)

General

Product Family	PCB Headers
Series	68131
Application	Wire-to-Board
Product Name	N/A

Physical

Breakaway	No
Circuits (Loaded)	2
Circuits (maximum)	2
First Mate / Last Break	No
Glow-Wire Compliant	No
Guide to Mating Part	No
Keying to Mating Part	None
Lock to Mating Part	Yes
Material - Metal	Brass
Material - Plating Mating	Tin
Material - Plating Termination	Tin
Number of Rows	1
Orientation	Vertical
PCB Retention	None
Packaging Type	Bag
Pitch - Mating Interface (in)	0.197 In
Pitch - Mating Interface (mm)	5.00 mm
Plating min: Mating (µin)	100
Plating min: Mating (µm)	2.5
Plating min: Termination (µin)	100
Plating min: Termination (µm)	2.5
Polarized to PCB	Yes
Shrouded	Partial
Stackable	No
Temperature Range - Operating	-40°C to +80°C
Termination Interface: Style	Screw or Lug

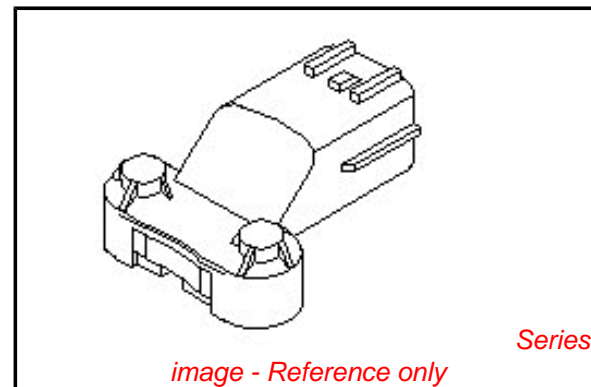
Electrical

Current - Maximum per Contact	10A
Voltage - Maximum	300V

Material Info

Reference - Drawing Numbers

Sales Drawing	SD-68131-003
---------------	--------------



EU RoHS

ELV and RoHS Compliant
REACH SVHC
 Not Reviewed
Halogen-Free Status
 Not Reviewed

China RoHS



Need more information on product environmental compliance?

Email productcompliance@molex.com
 For a multiple part number RoHS Certificate of Compliance, [click here](#)

Please visit the [Contact Us](#) section for any non-product compliance questions.

Search Parts in this Series

[68131Series](#)

Mates With

[35825](#) Silicone Rubber Wire Seal for Automotive Horn Connector

DWG. NO. SD-6813 I-003

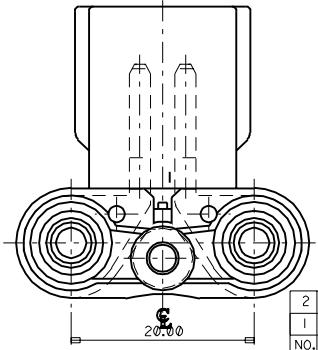
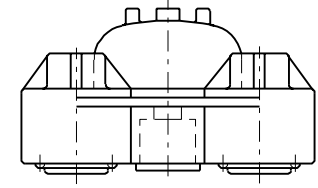
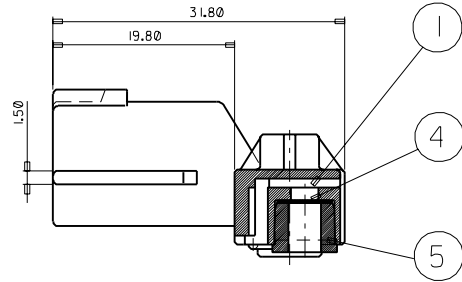
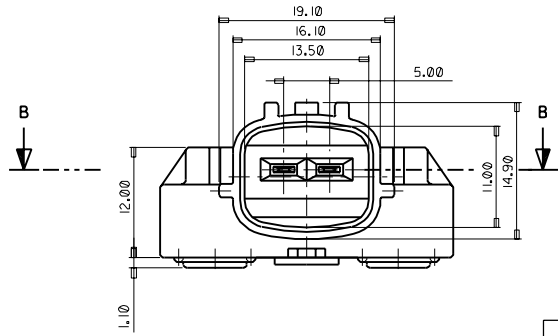
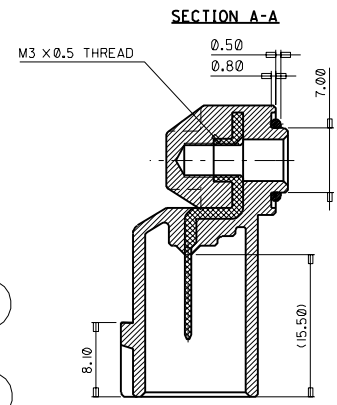
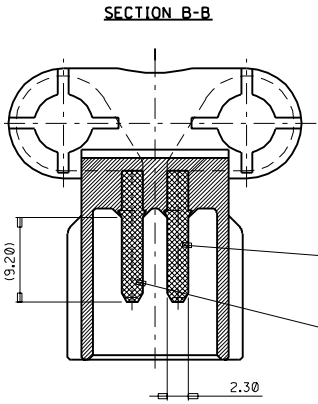
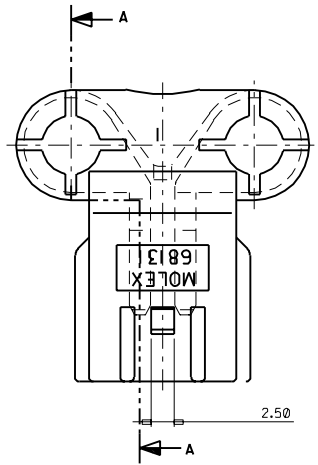
SIMILAR ITEM

PROJECT NO.

C

B

DO NOT SCALE DRAWING
DIMENSION IN METRIC



2	681310230	68131-0230	WHITE
1	681310231	68131-0231	BLACK
NO. MATERIAL NO.		ENG. NO.	FINISH

NO.	P/NAME	P/NO.	Q'TY		
1	HEADER 2P	68131-0270	1	30% GLASS FILLED POLYESTER	WHITE
	HEADER 2P	68131-0271	1	30% GLASS FILLED POLYESTER	BLACK
2	PIN (LEFT)	35687-2501	1	BRASS	TIN
3	PIN (RIGHT)	35686-2501	1	BRASS	TIN
4	GASKET	35940-0023	1	PAPER(FIBER ALLOY)	WHITE
5	BOTTOM SEAL	35903-0107	1	OIL SILICONE	BLACK

NOTE
 1. APPLICATION: .090 FEMALE HOUSING ASS'Y 2P(35825-0211)
 .090 SEALED FEMALE TER'L(35407-6702 S)
 (35407-6902 L)
 2. PRODUCT SPECIFICATION: 68131-0291
 3. MATERIAL & FINISH: SEE TABLE

Release to manufacturing
 EC NO. KOR 2001-0022
 DRWN: HCRHO 010314
 CHK: BAK.CHOI
 APPR: C.W.LEE

QUALITY SYMBOLS
 MAJOR
 CRITICAL
 C

	GENERAL TOLERANCES: (UNLESS SPECIFIED)	
	mm	INCH
4 PLACES	±0.	±.
3 PLACES	±0.	±.
2 PLACES	±0.3	±.
1 PLACE	±0.3	±.
ANGULAR: ± °		

SCALE: 2:1
 DESIGN UNITS: mm INCH
 THIRD ANGLE PROJECTION
 DRAWN BY & DATE: '98.10.28 H.C.RHO
 CHECKED BY & DATE: '98.10.28 B.K.CHOI
 APPROVED BY & DATE: '98.10.28 C.W.LEE
 CAD FILENAME

DIMENSIONS: <input type="checkbox"/> mm <input type="checkbox"/> INCH <input checked="" type="checkbox"/> mm ONLY		SHT	REV
TITLE: FILTER HORN HEADER ASS'Y 2P(Ø100)		REVISE ON CAD ONLY	
MOLEX INCORPORATED KOREA			
MATERIAL NO. SEE TABLE	DRAWING NO. SD-68131-003	SHEET NO. 1 OF 1	SIZE B

THIS DRAWING CONTAINS INFORMATION THAT IS PROPRIETARY TO MOLEX INCORPORATED AND SHOULD NOT BE USED WITHOUT WRITTEN PERMISSION.