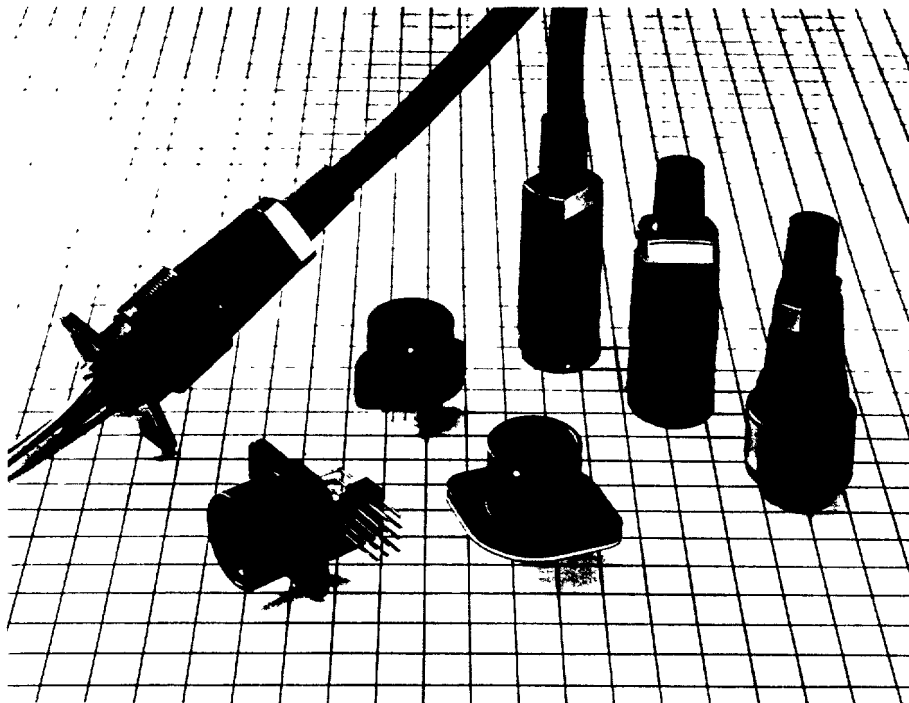


RP5 SERIES

Introduction

211-874 TO 211-928

RP5 series are 14 pin circular connectors for VTR used mainly for connection among video cameras, decks, tuners, etc. They are of "push-pull" lock system having light and robust plastic body.



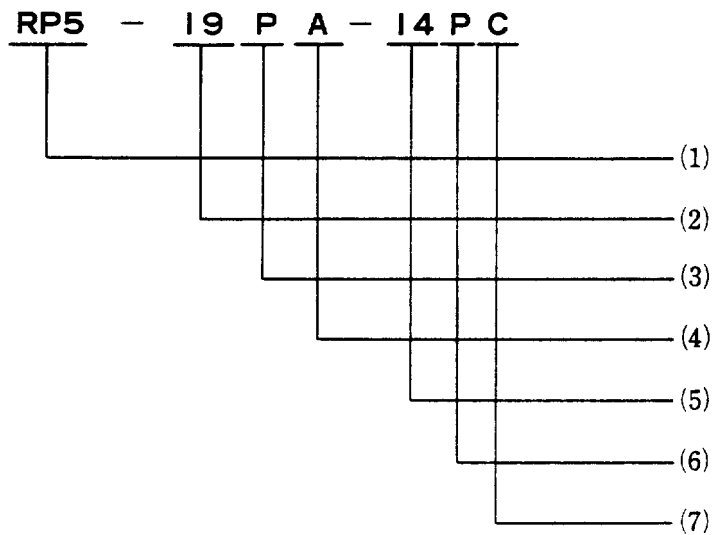
Features

- 1. EASY "PUSH-PULL" OPERATION**
One-touch "push-pull" coupling mechanism assures easy and quick connecting and disconnecting.
- 2. POLARIZATION**
Positive connection to the specified position is made as guided by multiple keys.
- 3. PROTECTION OF CONNECTOR PIN**
Connector Pins are arranged in a deep location in order to prevent bending of contacts due to handling.
- 4. THREE TYPES OF CONTACTS**
Crimp contacts, straight dip solder contacts and right angle dip solder contacts are available for the receptacles, and suitable contacts may be selected in correspondence to the application.
- 5. SIMPLE AND REFINED APPEARANCE**
The external form is simple and slim, and the frosted black appearance is well matched with any equipment.

Material and Finish

| Part name | Material | Finish |
|----------------------------|---------------------------------------|----------------|
| Molding and connector body | UL94V-0 Glass-filled polycarbonate | Black |
| Pin contact | Phosphor bronze | Silver plating |
| Socket contact | Phosphor bronze | Silver plating |

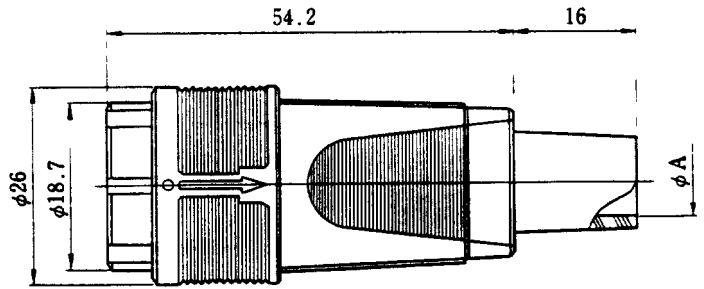
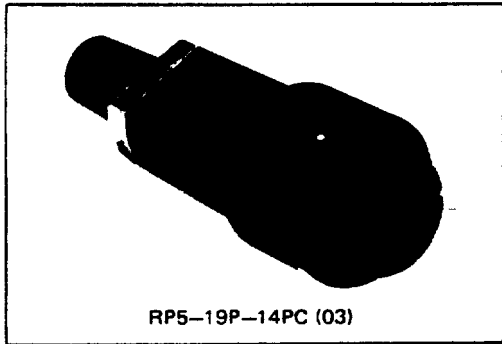
Ordering Information



1. RP5: Series name.
2. 19: Shell size
3. P: Shell Type
P: Plug
R: Receptacle
J: Jack
4. A: Distinction is made by A, B, C ... if types vary for the same connector configuration.
5. 14: No. of pin
6. P: Type of pin
P: Male pin
S: Female pin
7. C: The method of connection of terminals or the terminal configuration is identified by an alphabetic letter

Plug

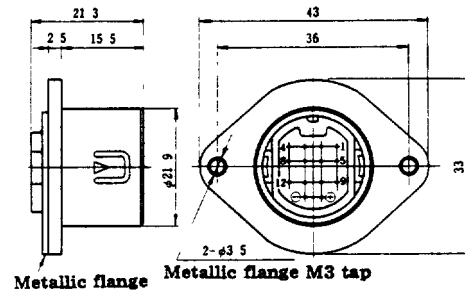
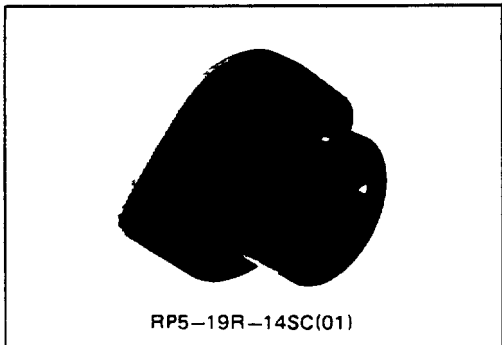
(Crimp type)



| mm (Inch) | |
|-----------|-------------|
| φA | |
| | 9.2 (0.362) |
| | 6.8 (0.268) |
| | 6.0 (0.236) |
| | 5.7 (0.224) |

Receptacle

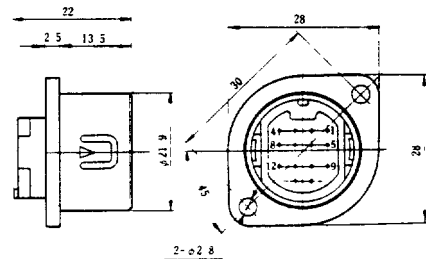
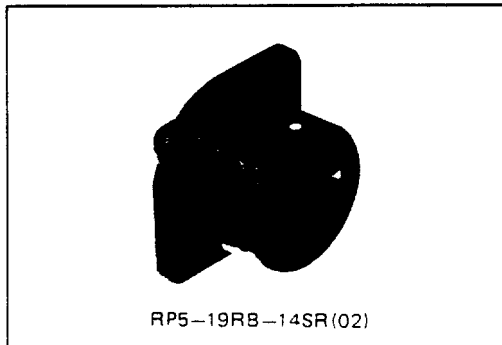
(Crimp type)



| Remarks | |
|---------|-------------------------|
| | Without metallic flange |

Remarks: Refer to page 107 for mounting hole size.

(Crimp type)

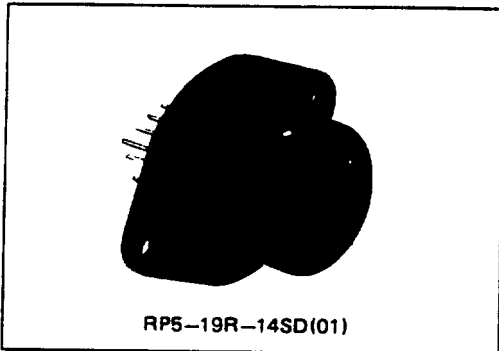


| Part No. |
|-------------------|
| RP5-19RB-14SR(02) |

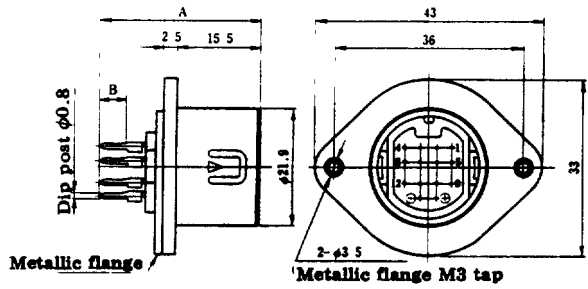
Remarks Refer to page 107 for mounting hole size

Receptacle

(Straight dip type)



RP5-19R-14SD(01)

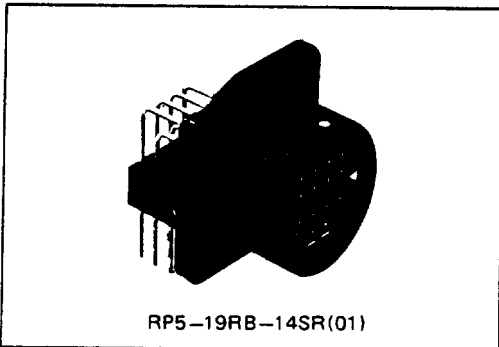


mm (inch)

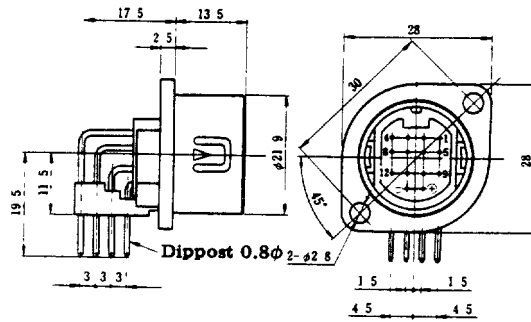
| | A | B | Remarks |
|--|--------------|-------------|--|
| | 33.3 (1.311) | 8.3 (0.327) | Without metallic flange |
| | 33.3 (1.311) | 8.3 (0.327) | |
| | 29 (1.142) | 3.8 (0.327) | |
| | 29 (1.142) | 3.8 (0.150) | Without metallic flange |
| | 25.9 (1.020) | 3.8 (0.150) | Without metallic flange Dip post size 0.3x0.7 |

Remarks: Refer to page 107 for mounting hole size

(Right Angle dip type)

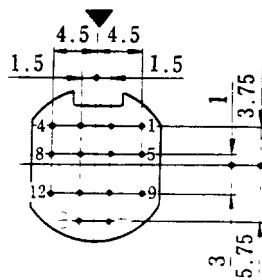


RP5-19RB-14SR(01)

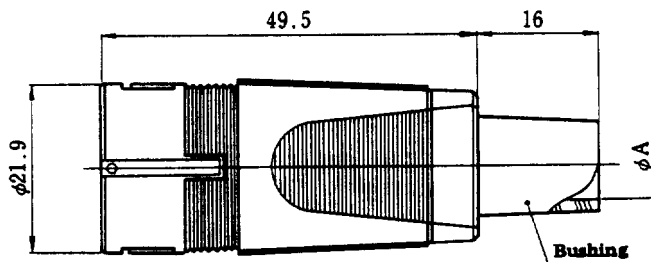
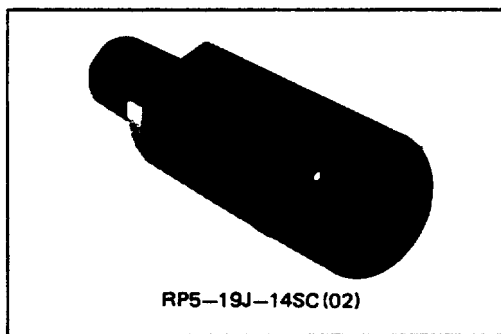


Part No.
RP5-19RB-14SR(01)

Dip Soldering Pattern



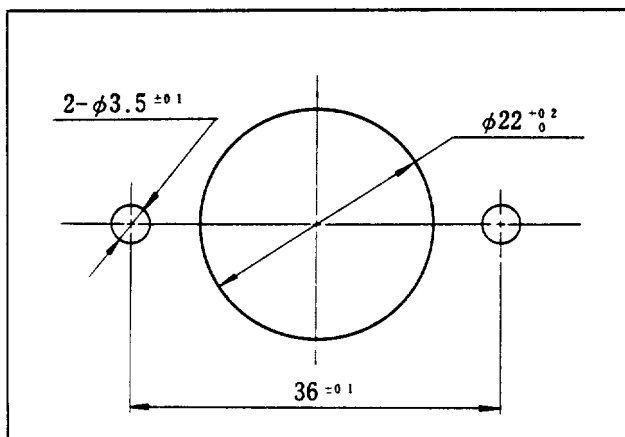
(Crimp type)



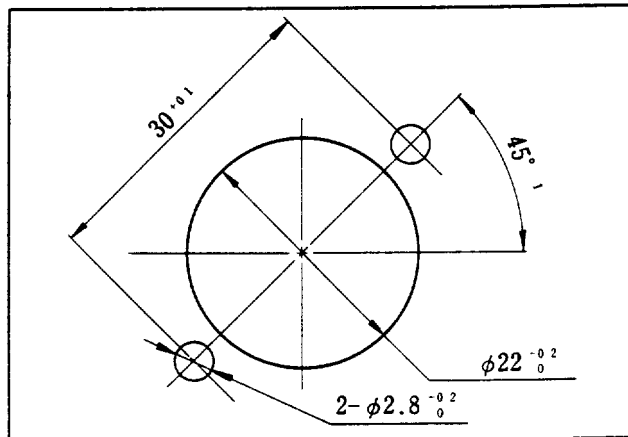
| mm (inch) | |
|-----------------|-------------|
| ϕA | |
| | 9.2 (0.362) |
| | 6.8 (0.268) |
| Without bushing | |
| | 5.7 (0.224) |

Mounting Cutout

RP5-19R and RP5-19RA type



RP5-19RB type

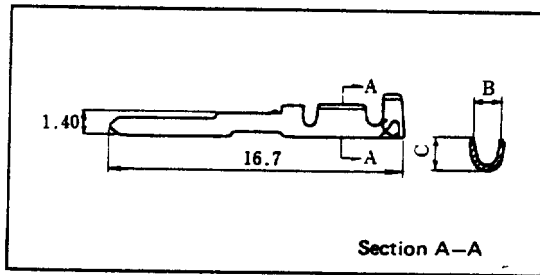


Note 1 Drawings indicate views from the panel surface side, and fitting guides of flange system are located in upper portions

Note 1 With a receptacle of flange system a connector is inserted from the back side of the panel. Therefore, the maximum allowable panel thickness is 4 mm.

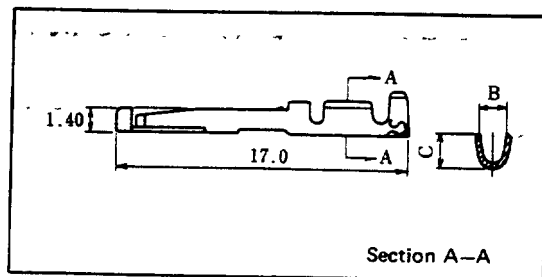
Contact

Male Pin



| Type | mm (inch) | | | |
|---------------|--------------|-------------|-----------------|--------------------|
| | B | C | Applicable wire | Packing |
| Bulk contact | 1.6 (0.063) | 2 (0.079) | AWG #20 ~ #24 | 100 pin per bag |
| | 1.45 (0.057) | 1.5 (0.059) | AWG #24 ~ #28 | |
| Chain contact | 1.6 (0.063) | 2 (0.079) | AWG #20 ~ #24 | 8,000 pin per reel |
| | 1.45 (0.057) | 1.5 (0.059) | AWG #24 ~ #28 | |

Female Pin



| Type | mm (inch) | | | |
|---------------|--------------|-------------|-----------------|--------------------|
| | B | C | Applicable wire | Packing |
| Bulk contact | 1.6 (0.063) | 2 (0.079) | AWG #20 ~ #24 | 100 pin per bag |
| | 1.45 (0.057) | 1.5 (0.059) | AWG #24 ~ #28 | |
| Chain contact | 1.6 (0.063) | 2 (0.079) | AWG #20 ~ #24 | 8,000 pin per reel |
| | 1.45 (0.057) | 1.5 (0.059) | AWG #24 ~ #28 | |

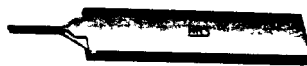
Note: 100 bulk contacts are contained per bag, and 8,000 chain contacts are provided per reel.

Tools

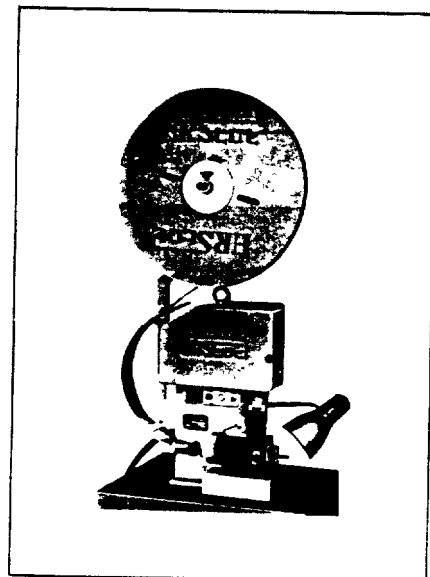
| Type | Part No. | Applicable wire |
|-----------------|----------|-----------------|
| Hand Crimp Tool | RM-7C | AWG #20 ~ #24 |
| | RM-7E | AWG #24 ~ #28 |
| Auto Crimp Tool | CM-103 | _____ |
| Extraction Tool | RM-1P | _____ |



Hand Crimping Tool

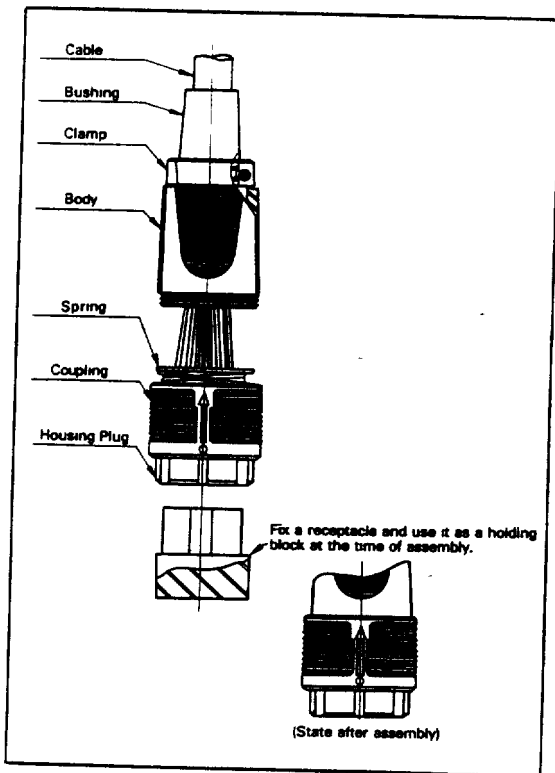


Extraction Tool



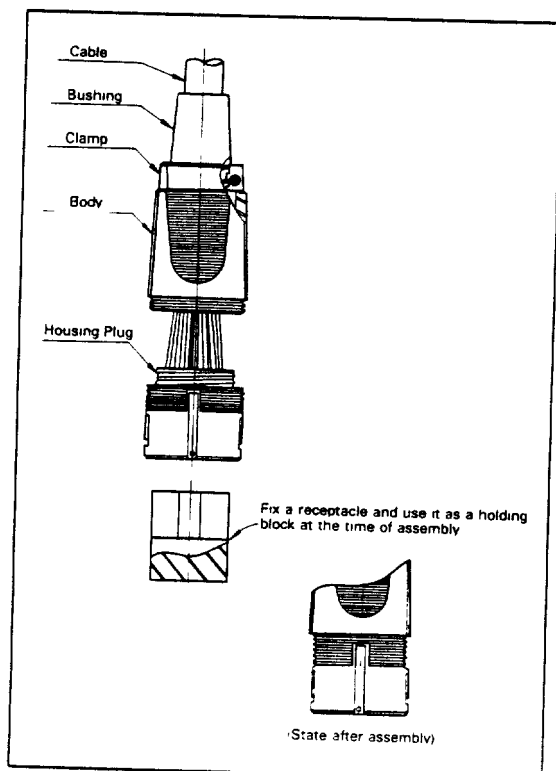
Auto Crimping Tool CM-103

Plug



1. Fit the bushing in advance on wires having ends suitably treated, and then connect wires to terminals by crimp.
2. Then fit the connector body and coupling in this order on wires, and then mount crimped contacts into the plug housing.
3. Fix the plug housing by means of a holding block, and fasten the connector body. (Recommendable tightening torque 20 ~ 40 kg/cm) The state after assembly is as shown.
4. Fix the cord clamp by screws (about 2 kg/cm), and the work is completed.
consult with us or our distributor listed in the last page.

Jack



1. Fit the bushing in advance on wires having suitably treated ends and connect wires to terminals by crimp, in the manner equal to that of a plug.
2. Then fit the connector body on wires, and mount crimped contacts into the socket housing.
3. Fix the socket housing to the holding block, and fasten the connector body. (Recommendable tightening torque 20 ~ 40 kg/cm) The state after assembly is as shown.
4. Fix the cord clamp by screws (about 2 kg/cm), and the work is completed.
consult with us or our distributor listed in the last page.

Contact Arrangement

| | |
|-----------------------|--|
| Contact arrangement | |
| No. of pins | 14 |
| Withstand voltage | AC 900V for 1 minute |
| Current rating | (when AWG #20 wires are used) |
| Insulation resistance | 1000M Ω Min. at DC 500V |
| Contact resistance | 7m Ω Max. at DC 1A |
| Applicable cable | AWG #20 ~ 24 (large barrel) AWG #24 ~ 28 (small barrel) |

- Remarks: 1. The figure indicates a view from the fitting face side (plug's wire connecting side) of the receptacle and jack.
2. The withstand voltage is indicated by the test voltage value. For normal use, 1/3 of the test voltage value should not be exceeded.