



RS-485 Transceivers with Integrated 100Ω/120Ω Termination Resistors

MAX13450E/MAX13451E

General Description

The MAX13450E/MAX13451E are half-duplex and full-duplex RS-485/RS-422 transceivers. These devices feature internal 100Ω and 120Ω termination resistors. The resistor values are pin selectable. A logic supply input allows interfacing to logic levels down to +1.8V.

The MAX13450E/MAX13451E feature strong drivers specified to drive low-impedance lines found when a fully loaded bus, based on today's 100Ω characteristic impedance cable, is doubly terminated. Both devices allow slew-rate limiting of the driver output to reduce EMI and reflections for data rates up to 500kbps.

The MAX13451E has a FAULT alarm indication output to signal to the system that an error condition exists in the driver. The MAX13451E also features a logic inversion function. The logic inversion allows phase reversal of the A-B signals in case these are inadvertently connected wrongly.

The MAX13450E/MAX13451E have 1/8-unit load receiver input impedance, allowing up to 256 transceivers on the bus. All driver outputs are protected to ±30kV ESD using the Human Body Model (HBM).

The MAX13450E/MAX13451E are available in a 14-pin TSSOP package and operate over the automotive -40°C to +125°C temperature range.

Applications

- Industrial Control Systems
- Portable Industrial Equipment
- Motor Control
- Security Networks
- Medical Networks

Ordering Information/ Selector Guide

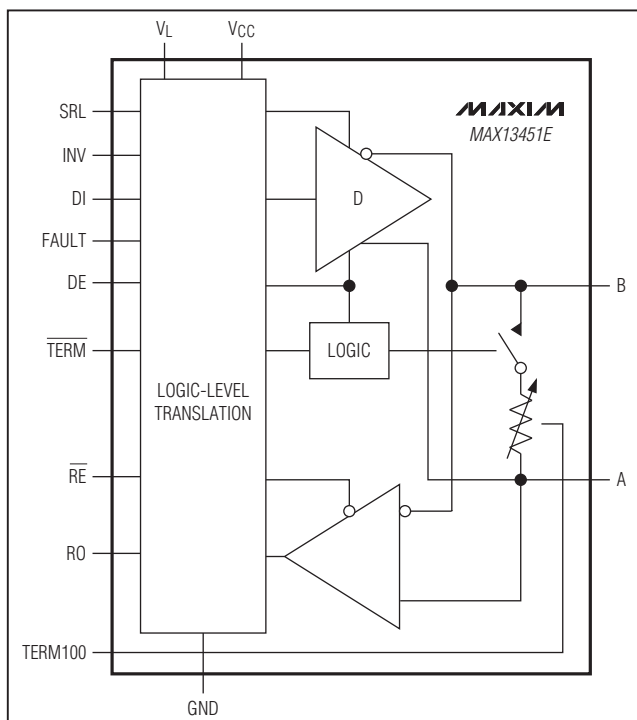
PART	HALF/FULL DUPLEX	PIN-PACKAGE
MAX13450EAUD+	Full	14 TSSOP-EP*
MAX13451EAUD+	Half	14 TSSOP-EP*

Note: All devices are specified over the -40°C to +125°C operating temperature range.
 +Denotes a lead(Pb)-free/RoHS-compliant package.
 *EP = Exposed pad.

Features

- ◆ 100Ω/120Ω Pin-Selectable Internal Termination Resistors
- ◆ Driver Drives 100Ω Double Termination
- ◆ 20Mbps (max) Data Rate
- ◆ Pin-Selectable Slew-Rate Limiting
- ◆ Logic Supply Input Allows Interfacing Down to 1.8V
- ◆ Driver Fault-Indication Output (MAX13451E)
- ◆ Inverting of A, B Line Polarity (MAX13451E)
- ◆ High-Impedance Driver Output/Receiver Input When VCC Supply is Removed
- ◆ Hot-Swap Input Structure on DE, RE, and TERM
- ◆ Extended ESD Protection
 - ±30kV Human Body Model
 - ±15kV Air Gap Discharge per IEC 61000-4-2
 - ±7kV Contact Discharge per IEC 61000-4-2
- ◆ 1/8-Unit Load Allows Up to 256 Transceivers on the Bus
- ◆ Thermal and Overcurrent Protected
- ◆ Fail-Safe Receivers
- ◆ +4.5V to +5.5V Supply Voltage Range

Functional Diagram (MAX13451E)



RS-485 Transceivers with Integrated 100Ω/120Ω Termination Resistors

ABSOLUTE MAXIMUM RATINGS

(All voltages referenced to GND.)

VCC, VL	-0.3V to +6V
DE, RE, DI, RO, TERM, TERM100, SRL	-0.3V to (VL + 0.3V)
INV, FAULT	-0.3V to (VL + 0.3V)
A, B, Z, Y	-8V to +13V
A to B (High-Z State)	+14V
B to A (High-Z State)	+14V
Short-Circuit Duration (RO, Y, Z) to GND	Continuous
Continuous Power Dissipation (TA = +70°C)	
14-Pin TSSOP (derate 25.6mW/°C above +70°C)	2051mW

Package Junction-to-Ambient Thermal Resistance (θJA) (Note 1)	39°C/W
Package Junction-to-Case Thermal Resistance (θJC) (Note 1)	3°C/W
Operating Temperature Range	-40°C to +125°C
Storage Temperature Range	-65°C to +150°C
Junction Temperature	+150°C
Lead Temperature (soldering, 10s)	+300°C
Soldering Temperature (reflow)	+260°C

Note 1: Package thermal resistances were obtained using the method described in JEDEC specification JESD51-7, using a four-layer board. For detailed information on package thermal considerations, refer to www.maxim-ic.com/thermal-tutorial.

Stresses beyond those listed under "Absolute Maximum Ratings" may cause permanent damage to the device. These are stress ratings only, and functional operation of the device at these or any other conditions beyond those indicated in the operational sections of the specifications is not implied. Exposure to absolute maximum rating conditions for extended periods may affect device reliability.

ELECTRICAL CHARACTERISTICS

(VCC = +4.5V to +5.5V, VL = +1.62V to 4.2V, TA = TMIN to TMAX, unless otherwise noted. Typical values are at VCC = +5V, VL = +1.8V, and TA = +25°C.) (Note 2)

PARAMETER	SYMBOL	CONDITIONS	MIN	TYP	MAX	UNITS
Supply Voltage	VCC		4.5		5.5	V
Logic Supply Voltage	VL		1.62	1.8	4.2	V
Supply Current	ICC	DE = RE = high, TERM = high, no load			6	mA
		DE = RE = low, TERM = low, no load			12	
Logic Supply Current	IL	Current into VL, no load on RO, device not switching, DE = RE = high			2	μA
Shutdown Current	ISHDN	Current into VCC, DE = low, RE = TERM = high			30	μA
		Current into VCC, DE = low, RE = high, TERM = low			8	mA
DRIVER						
Differential Driver Output	VOD	RDIFF = 100Ω, Figure 1 (Note 3)	2.0		VCC	V
		RDIFF = 46Ω, Figure 1 (Note 3)	1.5		VCC	
Change in Magnitude of Differential Output Voltage	ΔVOD	RDIFF = 100Ω or 46Ω, Figure 1 (Note 3)			0.2	V
Driver Common-Mode Output Voltage	VOC	RDIFF = 100Ω or 46Ω, Figure 1 (Note 3)		VCC/2	3	V
Change In Magnitude of Common-Mode Voltage	ΔVOC	RDIFF = 100Ω or 46Ω, Figure 1 (Note 3)			0.2	V
Driver Short-Circuit Output Current	IOSD	0V ≤ VOUT ≤ +12V			+280	mA
		-7V ≤ VOUT ≤ 0V		-250		
Driver Short-Circuit Foldback Output Current	IOSDF	(VCC - 1V) ≤ VOUT ≤ +12V		+15		mA
		-7V ≤ VOUT ≤ 0V			-15	

RS-485 Transceivers with Integrated 100Ω/120Ω Termination Resistors

ELECTRICAL CHARACTERISTICS (continued)

(V_{CC} = +4.5V to +5.5V, V_L = +1.62V to 4.2V, T_A = T_{MIN} to T_{MAX}, unless otherwise noted. Typical values are at V_{CC} = +5V, V_L = +1.8V, and T_A = +25°C.) (Note 2)

PARAMETER	SYMBOL	CONDITIONS	MIN	TYP	MAX	UNITS
RECEIVER						
Input Current (A and B)	I _{A, B}	DE = \overline{RE} = GND; \overline{TERM} = V _L ; V _{CC} = GND or 5.5V	V _A or V _B = +12V		125	μA
			V _A or V _B = -7V	-100		
Receiver Differential Threshold Voltage	V _{TH}	-7V ≤ V _{CM} ≤ +12V, DE = \overline{RE} = GND; \overline{TERM} = V _L ; V _{CC} = GND	V _A or V _B = +12V	-200	-50	mV
Receiver Input Hysteresis	ΔV _{TH}	V _A + V _B = 0V		15		mV
LOGIC INTERFACE						
Input High Voltage	V _{IH}	DI, DE, \overline{RE} , \overline{TERM} , SRL, TERM100, INV	2/3 × V _L			V
Input Low Voltage	V _{IL}	DI, DE, \overline{RE} , \overline{TERM} , SRL, TERM100, INV			1/3 × V _L	V
Input Current	I _{IN}	DI, DE, \overline{RE} , \overline{TERM} , TERM100, SRL, INV	-1		+1	μA
Receiver Output High Voltage	V _{ROH}	I _{OUT} = -1mA	V _L - 0.6			V
Receiver Output Low Voltage	V _{ROL}	I _{OUT} = +1mA			0.4	V
Three-State Output Current at Receiver	I _{OZR}	0V ≤ V _{RO} ≤ V _L	-1	+0.01	+1	μA
Receiver Output Short-Circuit Current	I _{OSR}	0V ≤ V _{RO} ≤ V _L	±1		±80	mA
Fault Output High Voltage (MAX13451E)	V _{FAULTH}	Fault condition, I _{OUT} = -1mA	V _L - 0.6			V
Fault Output Low Voltage (MAX13451E)	V _{FAULTL}	Nonfault condition; I _{OUT} = +1mA			0.4	V
TERMINATION RESISTOR						
100Ω Termination Resistor	R ₁₀₀	\overline{TERM} = low, TERM100 = high	85	100	115	Ω
120Ω Termination Resistor	R ₁₂₀	\overline{TERM} = low, TERM100 = low	101	120	139	Ω
Single-Ended Input Capacitance vs. GND	C _{IN}	f = 1MHz (MAX13451E only)		40		pF
ESD PROTECTION						
ESD Protection (A, B, Y, Z)		Human Body Model		±30		kV
		IEC 61000-4-2 Air Gap Discharge		±15		
		IEC 61000-4-2 Contact Discharge		±7		
ESD Protection (All Other Pins)		Human Body Model		±2		

MAX13450E/MAX13451E

RS-485 Transceivers with Integrated 100Ω/120Ω Termination Resistors

MAX13450E/MAX13451E

SWITCHING CHARACTERISTICS—SRL = HIGH

(VCC = +4.5V to +5.5V, VL = +1.62V to 4.2V, TA = TMIN to TMAX, unless otherwise noted. Typical values are at VCC = +5V, VL = +1.8V and TA = +25°C.) (Note 2)

PARAMETER	SYMBOL	CONDITIONS	MIN	TYP	MAX	UNITS
DRIVER						
Driver Propagation Delay	tDPLH	RDIFF = 54Ω, CL = 50pF, Figures 2 and 3			800	ns
	tDPLH				800	
Differential Driver Output Skew tDPLH - tDPLH	tDSKEW	RDIFF = 54Ω, CL = 50pF, Figure 3			100	ns
Driver Differential Output Rise or Fall Time	tHL	RDIFF = 54Ω, CL = 50pF, Figures 2 and 3	100		600	ns
	tLH		100		600	
Maximum Data Rate	DRMAX		500			kbps
Driver Enable from Shutdown to Output High	tDZH(SHDN)	S2 closed, RL = 500Ω, CL = 100pF, Figures 4 and 5			4500	ns
Driver Enable from Shutdown to Output Low	tDZL(SHDN)	S1 closed, RL = 500Ω, CL = 100pF, Figures 4 and 5			5200	ns
Driver Disable Delay	tDLZ, tDHZ	Figures 4 and 5			100	ns
Driver Enable Delay	tDZL, tDZH	Figures 4 and 5			2500	ns
RECEIVER						
Receiver Propagation Delay	tRPLH	CL = 15pF, VID ≥ 2.0V; tLH, tHL ≤ 15ns, Figures 6 and 7			200	ns
	tRPHL				200	
Receiver Output Skew	tRSKEW	CL = 15pF, Figures 6 and 7			30	ns
Maximum Data Rate	DRMAX		500			kbps
Receiver Enable to Output High	tRZH	S2 closed, CL = 100pF, RL = 500Ω, Figures 8 and 9			50	ns
Receiver Enable to Output Low	tRZL	S1 closed, CL = 100pF, RL = 500Ω, Figures 8 and 9			50	ns
Receiver Disable from High	tRHZ	Figures 8 and 9			50	ns
Receiver Disable from Low	tRLZ	Figures 8 and 9			50	ns
Receiver Enable from Shutdown to Output High	tRZH(SHDN)	Figures 8 and 9			5000	ns
Receiver Enable from Shutdown to Output Low	tRZL(SHDN)	Figures 8 and 9			5000	ns
TERMINATION RESISTOR						
Turn-Off Time	tRTZ	Figure 10		120		μs
Turn-On Time	tRTEN	Figure 10		1		μs

RS-485 Transceivers with Integrated 100Ω/120Ω Termination Resistors

SWITCHING CHARACTERISTICS—SRL = LOW

(VCC = +4.5V to +5.5V, VL = +1.62V to 4.2V, TA = TMIN to TMAX, unless otherwise noted. Typical values are at VCC = +5V, VL = +1.8V, and TA = +25°C.) (Note 2)

PARAMETER	SYMBOL	CONDITIONS	MIN	TYP	MAX	UNITS
DRIVER						
Driver Propagation Delay	tDPLH	RDIFF = 54Ω, CL = 50pF, Figures 2 and 3			50	ns
	tDPHL				50	
Differential Driver Output Skew tDPLH - tDPHL	tDSKEW	RDIFF = 54Ω, CL = 50pF, Figure 3			6	ns
Driver Differential Output Rise or Fall Time	tHL, tLH	RDIFF = 54Ω, CL = 50pF, Figures 2 and 3			15	ns
Maximum Data Rate	DRMAX		20			Mbps
Driver Enable from Shutdown to Output High	tDZH(SHDN)	S2 closed, RL = 500Ω, CL = 100pF, Figures 4 and 5			2000	ns
Driver Enable from Shutdown to Output Low	tDZL(SHDN)	S1 closed, RL = 500Ω, CL = 100pF, Figures 4 and 5			2000	ns
Driver Disable Delay	tDLZ, tDHZ	Figures 4 and 5			100	ns
Driver Enable Delay	tDZL, tDZH	Figures 4 and 5			100	ns
RECEIVER						
Receiver Propagation Delay	tRPLH	CL = 15pF, VID ≥ 2.0V; tLH, tHL ≤ 15ns, Figures 6 and 7			50	ns
	tRPHL				50	
Receiver Output Skew	tRSKEW	CL = 15pF, Figures 6 and 7			6	ns
Maximum Data Rate	DRMAX		20			Mbps
Receiver Enable to Output High	tRZH	S2 closed, CL = 100pF, RL = 500Ω, Figures 8 and 9			50	ns
Receiver Enable to Output Low	tRZL	S1 closed, CL = 100pF, RL = 500Ω, Figures 8 and 9			50	ns
Receiver Disable Time from High	tRHZ	Figures 8 and 9			50	ns
Receiver Disable Time from Low	tRLZ	Figures 8 and 9			50	ns
Receiver Enable from Shutdown to Output High	tRZH(SHDN)	Figures 8 and 9			2000	ns
Receiver Enable from Shutdown to Output Low	tRZL(SHDN)	Figures 8 and 9			2000	ns
TERMINATION RESISTOR						
Turn-Off Time	tRTZ	Figure 10		120		μs
Turn-On Time	tRTEN	Figure 10		1		μs

Note 2: All devices are 100% production tested at TA = +25°C. Limits over temperature are guaranteed by design.

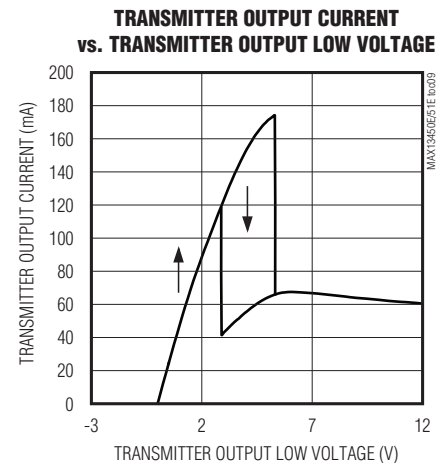
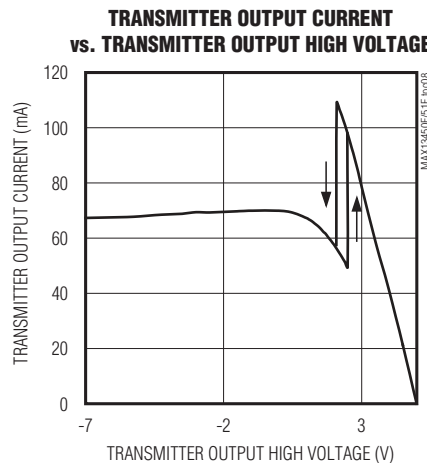
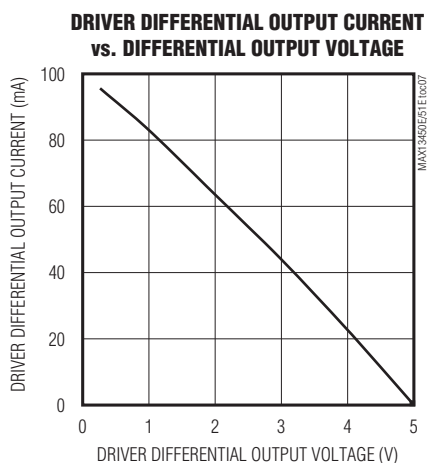
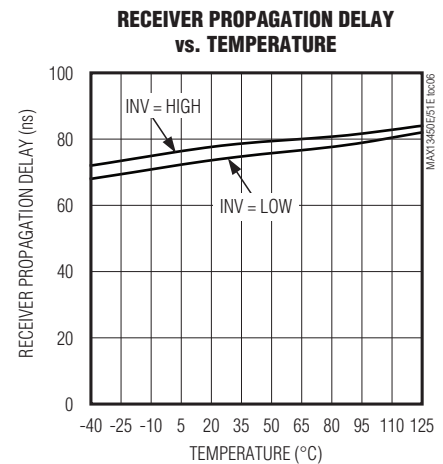
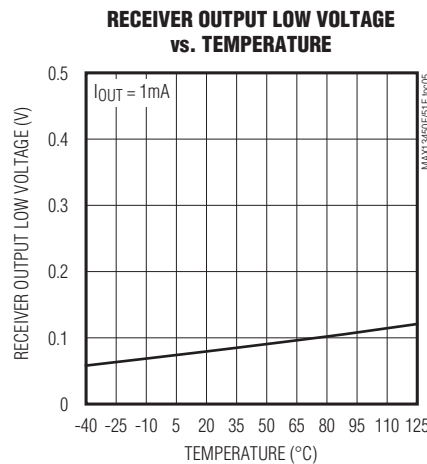
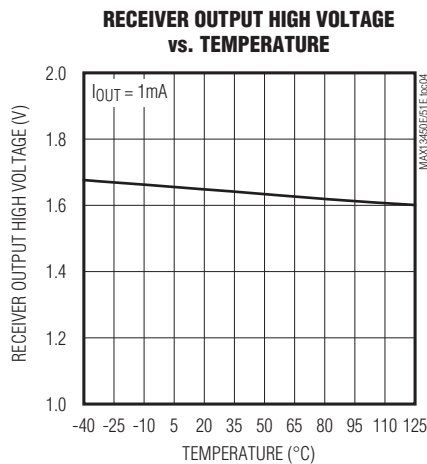
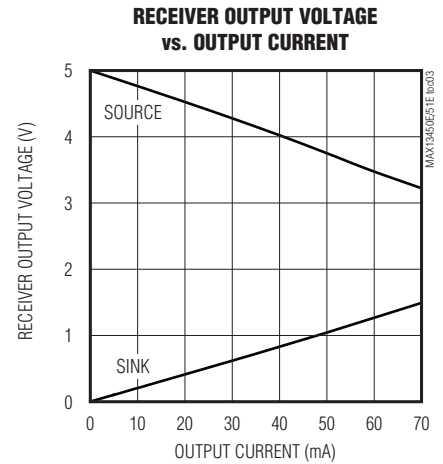
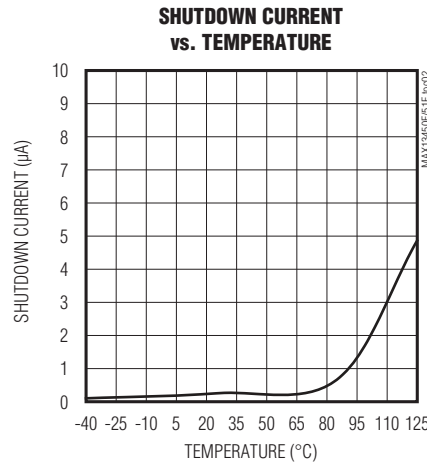
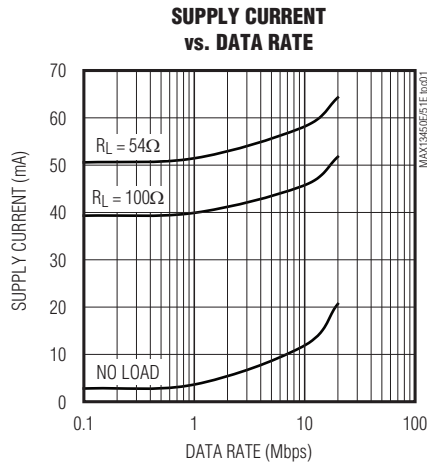
Note 3: Termination resistance is disabled (TERM = high).

MAX13450E/MAX13451E

RS-485 Transceivers with Integrated 100Ω/120Ω Termination Resistors

Typical Operating Characteristics

(V_{CC} = +5V, V_L = +1.8V, T_A = +25°C, unless otherwise noted.)

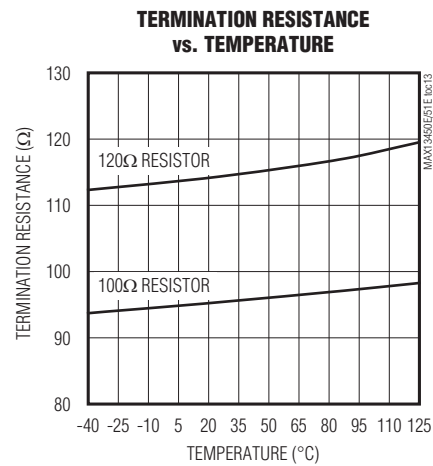
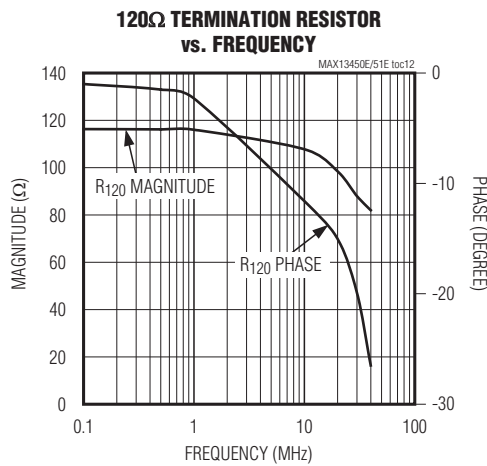
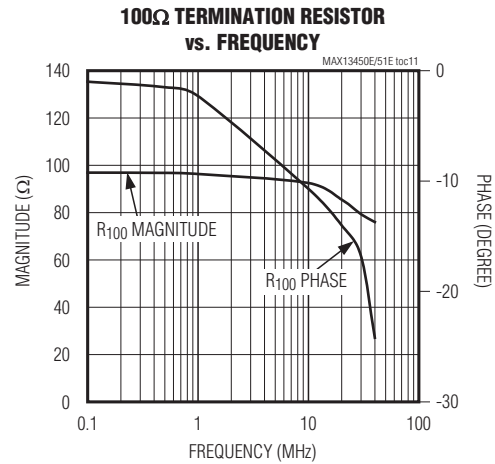
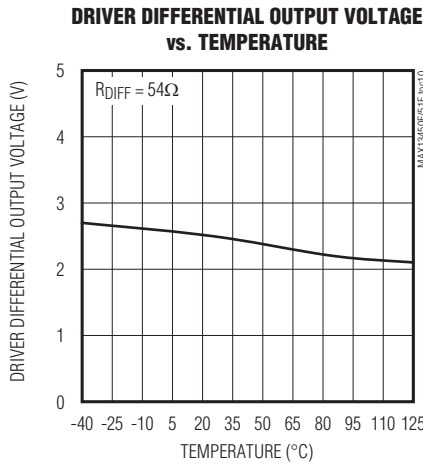


RS-485 Transceivers with Integrated 100Ω/120Ω Termination Resistors

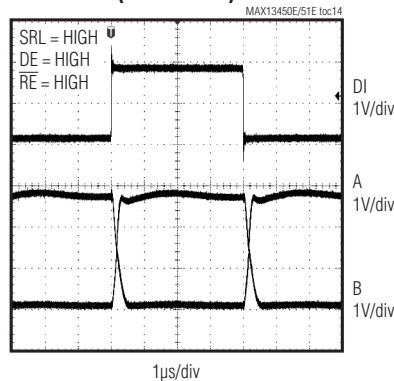
Typical Operating Characteristics (continued)

(V_{CC} = +5V, V_L = +1.8V, T_A = +25°C, unless otherwise noted.)

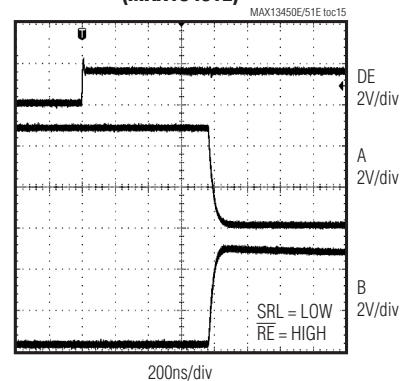
MAX13450E/MAX13451E



DRIVER PROPAGATION DELAY (250kbps) (MAX13451E)



DRIVER ENABLE TIME FROM SHUTDOWN (MAX13451E)



RS-485 Transceivers with Integrated 100Ω/120Ω Termination Resistors

Test Circuits and Waveforms

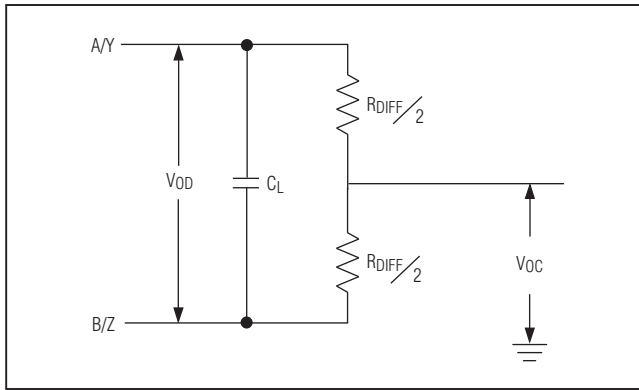


Figure 1. Driver DC Test Load

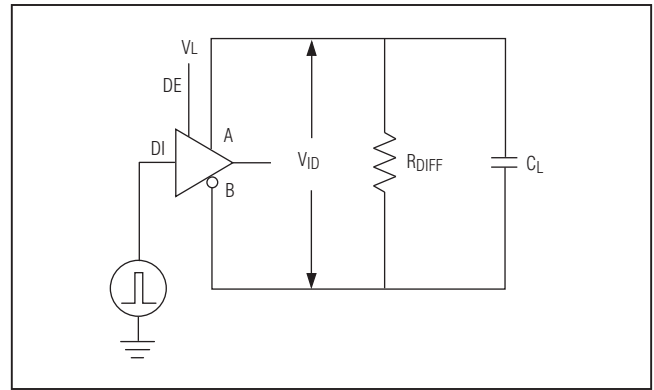


Figure 2. Driver Timing Test Circuit

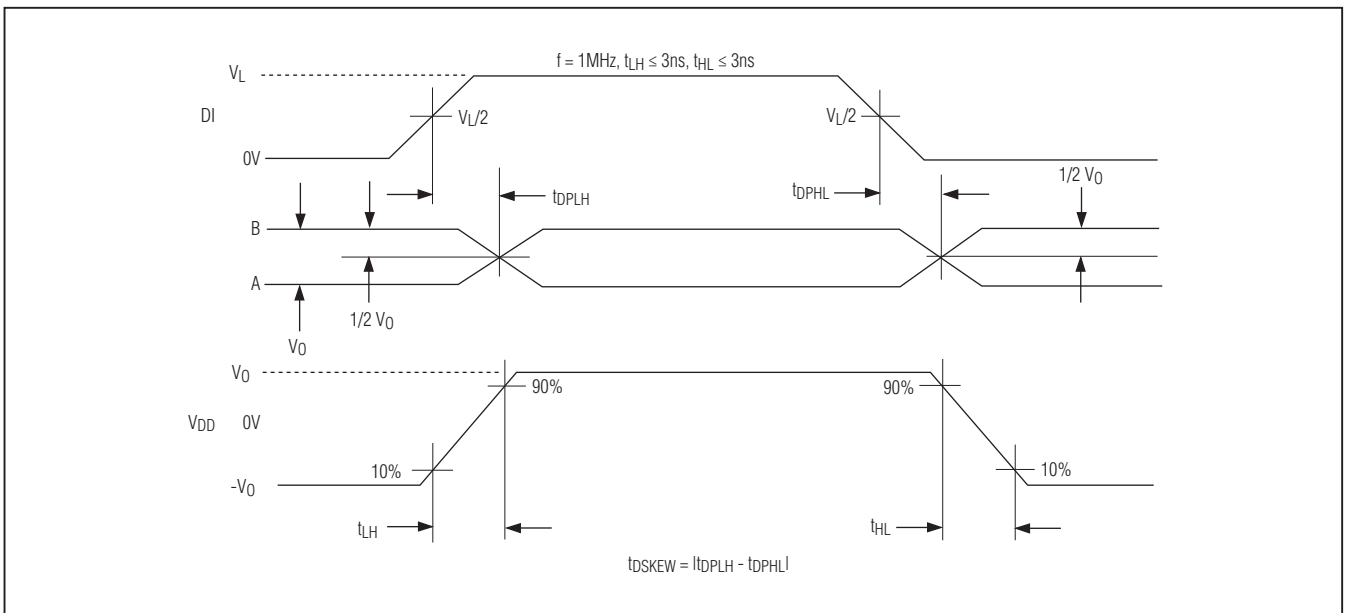


Figure 3. Driver Propagation Delays

RS-485 Transceivers with Integrated 100Ω/120Ω Termination Resistors

Test Circuits and Waveforms (continued)

MAX13450E/MAX13451E

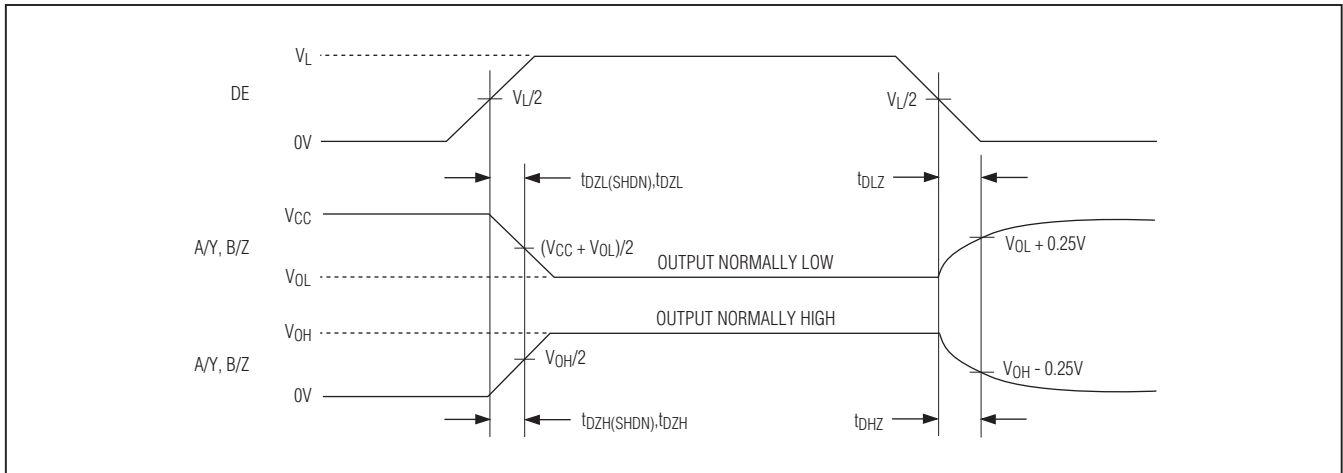


Figure 4. Driver Enable and Disable Times

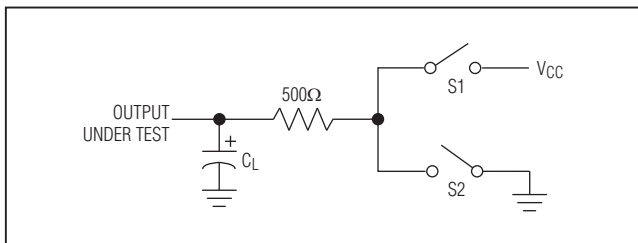


Figure 5. Driver-Enable and Disable-Timing Test Load

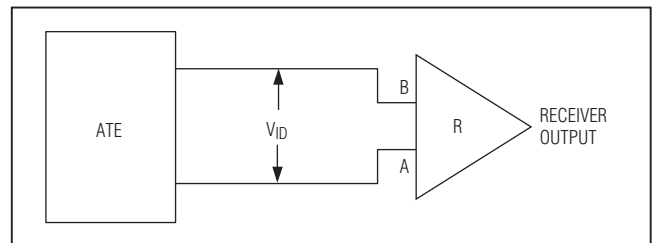


Figure 6. Receiver Propagation Delay Test Circuit

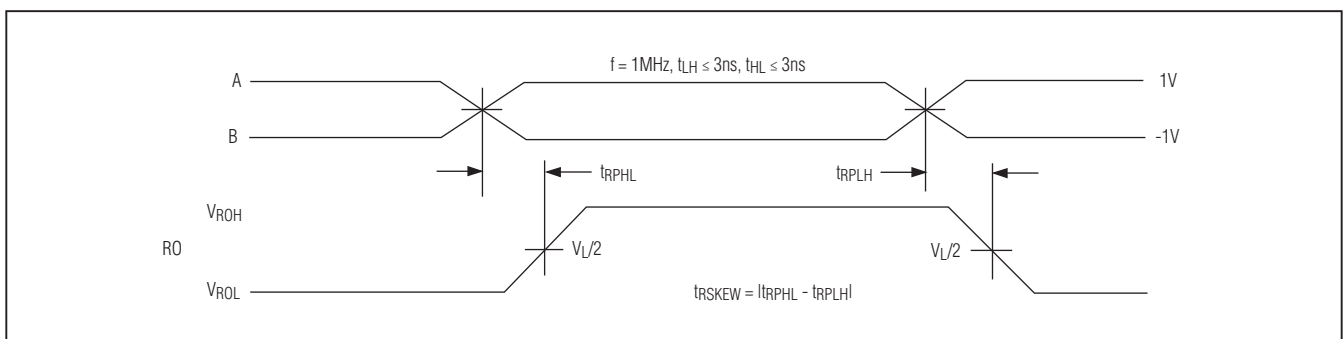


Figure 7. Receiver Propagation Delays

RS-485 Transceivers with Integrated 100Ω/120Ω Termination Resistors

Test Circuits and Waveforms (continued)

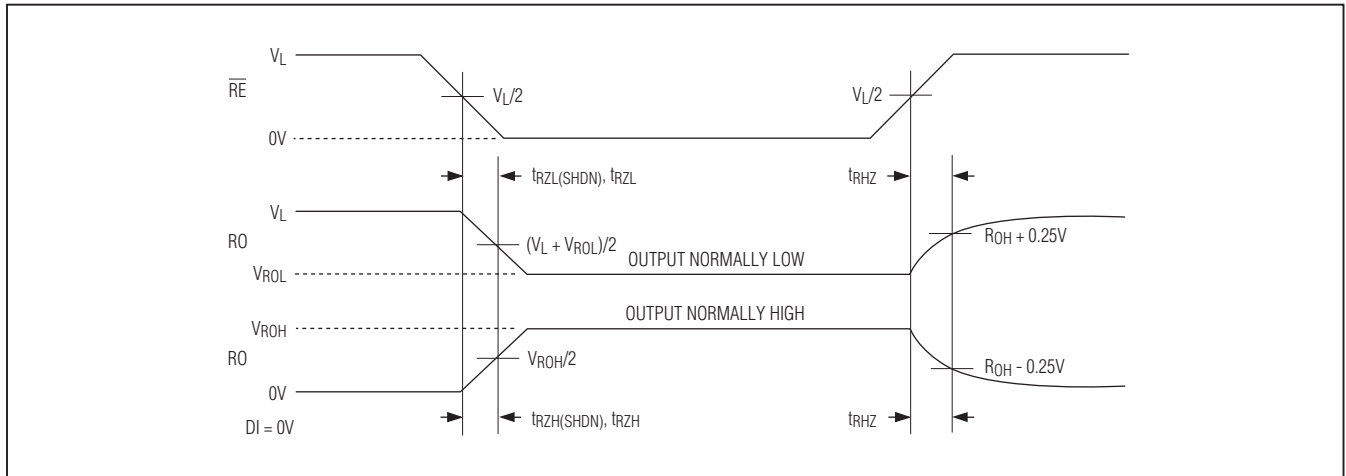


Figure 8. Receiver Enable and Disable Times

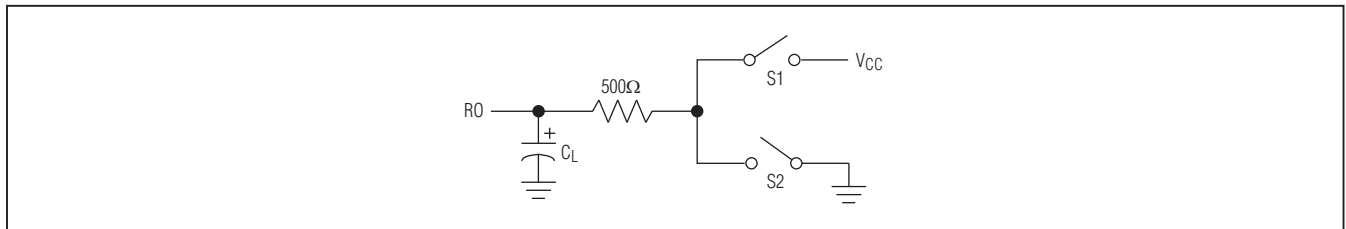


Figure 9. Receiver Enable and Disable Times

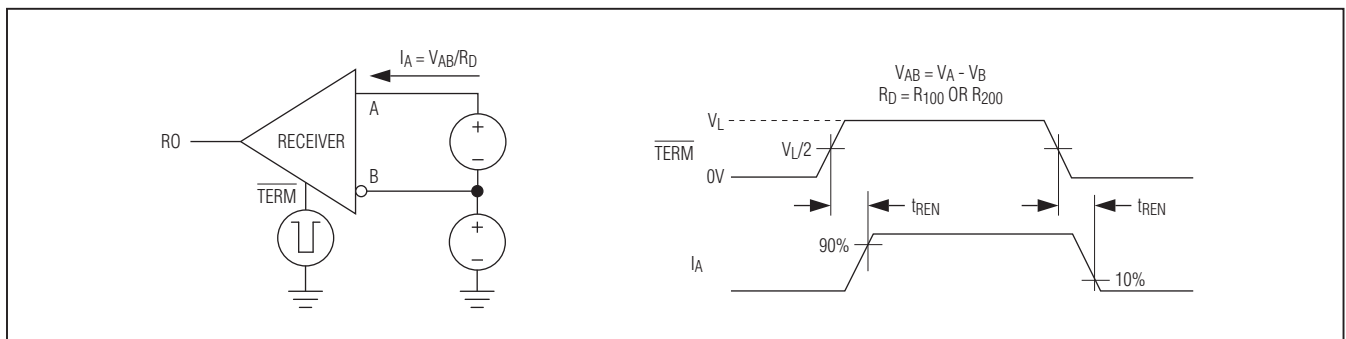
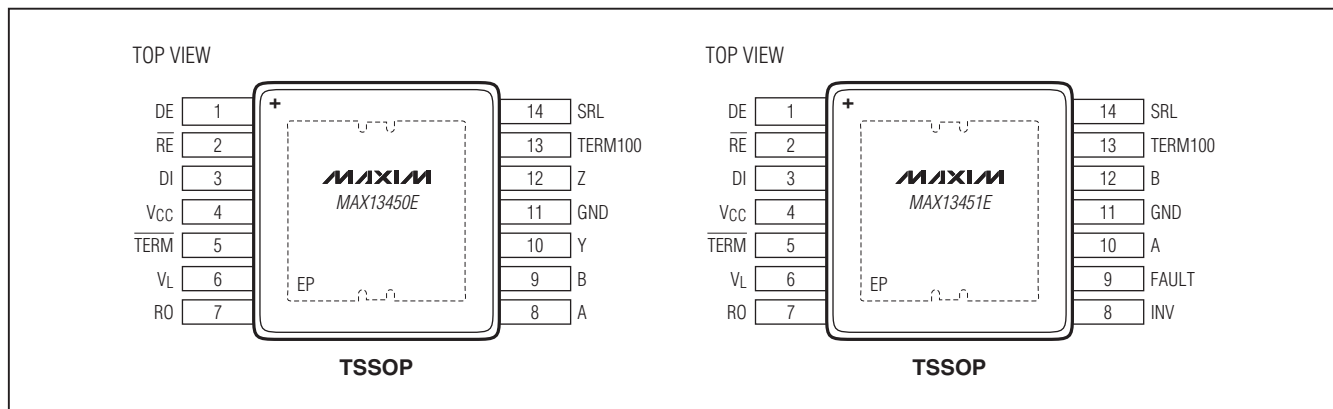


Figure 10. Termination Resistor Turn-On/Off Times

RS-485 Transceivers with Integrated 100Ω/120Ω Termination Resistors

Pin Configurations



Pin Description

PIN		NAME	FUNCTION
MAX13450E	MAX13451E		
1	1	DE	Driver-Output Enable. Drive DE low to put the driver output in three-state. Drive DE high to enable the driver. DE is referenced to VL.
2	2	RE	Receiver-Output Enable. Drive RE low to enable the RO. Drive RE high to disable the RO output and put the RO output in a high-impedance state. RE is referenced to VL.
3	3	DI	Driver Input. Drive DI low to force the noninverting output low and the inverting output high. Drive DI high to force the noninverting output high and inverting output low. DI is referenced to VL.
4	4	VCC	Power-Supply Voltage. Bypass VCC to GND with a 0.1μF ceramic capacitor placed as close as possible to the device.
5	5	TERM	Active-Low Termination Resistor Enable. Drive TERM low to enable the internal termination resistor. TERM is referenced to VL.
6	6	VL	Logic Supply Voltage. Bypass VL to GND with a 0.1μF ceramic capacitor placed as close as possible to the device.
7	—	RO	Receiver Output. When receiver is enabled and VA - VB ≥ -50mV, RO is high. If VA - VB ≤ -200mV, RO is low. RO is referenced to VL.
—	7	RO	Receiver Output. When INV is low, receiver is enabled and VA - VB ≥ -50mV, RO is high. If VA - VB ≤ -200mV, RO is low. When INV is high, receiver is enabled and VA - VB ≥ -50mV, RO is low. If VA - VB ≤ -200mV, RO is high. RO is referenced to VL.
8	—	A	Noninverting Receiver Input
—	10	A	If INV is low, A is a noninverting receiver input and a noninverting driver output. If INV is high, A is an inverting receiver input and an inverting driver output.
9	—	B	Inverting Receiver Input
—	12	B	If INV is low, B is an inverting receiver input and an inverting driver output. If INV is high, B is a noninverting receiver input and a noninverting driver output.

MAX13450E/MAX13451E

RS-485 Transceivers with Integrated 100Ω/120Ω Termination Resistors

MAX13450E/MAX13451E

Pin Description (continued)

PIN		NAME	FUNCTION
MAX13450E	MAX13451E		
10	—	Y	Noninverting Driver Output
11	11	GND	Ground
12	—	Z	Inverting Driver Output
13	13	TERM100	Termination Resistor Value Selection Input. Drive TERM100 low to select a 120Ω termination and high to select a 100Ω termination. The TERM100 input is referenced to V _L .
14	14	SRL	Slew-Rate Limiting-Enable Input. Drive SRL high to enable slew-rate limiting and low to disable slew-rate limiting. The SRL input is referenced to V _L .
—	8	INV	Inversion Input. Drive INV high to internally swap RO logic level with respect to A and B signals.
—	9	FAULT	Fault Flag Output. FAULT asserts high in overcurrent conditions or if A/B are forced below GND or above V _{CC} when the driver is enabled. FAULT is referenced to V _L .
—	—	EP	Exposed Pad

Function Tables

Table 1. Termination Resistor Control (MAX13450E/MAX13451E)

TERM	DE	RE	TERMINATION RESISTOR
Low	X	X	Activated
High	X	X	Not activated

Table 2. Shutdown Control (MAX13450E/MAX13451E)

DE	RE	TERM	STATE
Low	High	High	Shutdown

Table 3. Function Table for Transmitter (MAX13450E)

INPUT		OUTPUT	
DE	DI	Y	Z
Low	X	High-Z	High-Z
High	Low	Low	High
	High	High	Low

Table 4. Function Table for Receiver (MAX13450E)

INPUT		OUTPUT
RE	A-B	RO
High	X	High-Z
Low	≥ -50mV or Open	High
	≤ -200mV	Low

Table 5. INV Input Function Table for Transmitter (MAX13451E)

INPUT			OUTPUT	
DE	INV	DI	A	B
Low	X	X	High-Z	High-Z
High	Low	Low	Low	High
		High	High	Low
	High	Low	High	Low
		High	Low	High

RS-485 Transceivers with Integrated 100Ω/120Ω Termination Resistors

Function Tables (continued)

Table 6. INV Input Function Table for Receiver (MAX13451E)

INPUT			OUTPUT
\overline{RE}	INV	A-B	RO
High	X	X	High-Z
Low	Low	$\geq -50\text{mV}$ or Short or Open	High
		$\leq -200\text{mV}$	Low
	High	$\geq -50\text{mV}$ or Open	Low
		$\leq -200\text{mV}$	High

Detailed Description

The MAX13450E is a full-duplex, RS-485/RS-422-compatible transceiver and the MAX13451E is a half-duplex, RS-485/RS-422-compatible transceiver. Both devices have an internal 100Ω/120Ω termination resistor. The MAX13450E/MAX13451E have a V_L supply voltage input to support down to a +1.8V voltage logic interface.

The MAX13450E/MAX13451E feature a 1/8-unit load receiver input impedance, allowing up to 256 transceivers on the bus. All line interface pins are protected to $\pm 30\text{kV}$ ESD based on the HBM. These devices also include fail-safe circuitry, guaranteeing a defined logic-level receiver output when the receiver inputs are open or shorted.

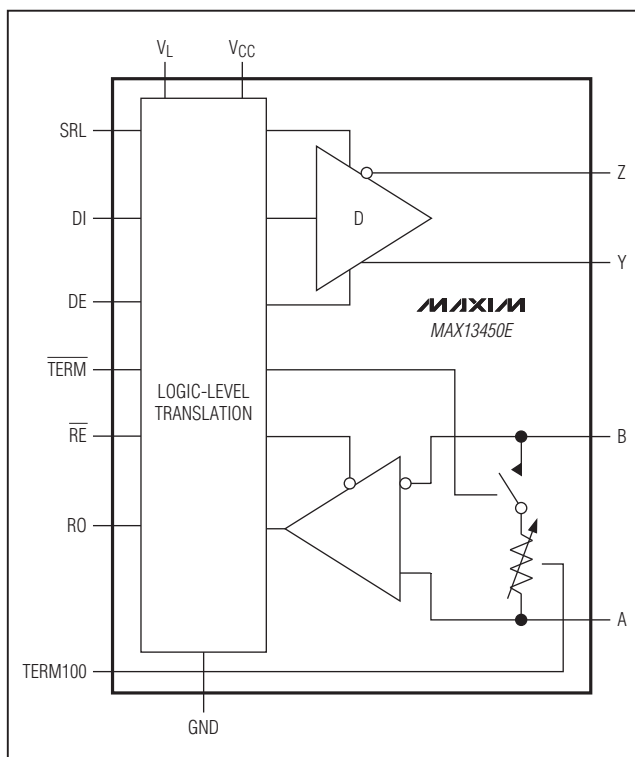
The MAX13450E/MAX13451E allow slew-rate-limited driver outputs for lower data rates below 500kbps. The SRL reduces the slew rate, which reduces EMI emissions and reflections caused by improperly terminated cables.

The MAX13451E has a FAULT output that indicates a fault condition on the driver. The MAX13451E also has an INV input that inverts the phase of A and B pins.

Termination Resistor

The MAX13450E/MAX13451E feature a selectable internal termination resistor. Drive the \overline{TERM} input low to enable the internal termination resistor. Drive the \overline{TERM} input high to disable the internal termination resistor.

Functional Diagram (MAX13450E)



Drive the TERM100 input high to select the 100Ω termination resistor. Drive TERM100 input low to select the 120Ω termination resistor.

INV Input (MAX13451E)

The INV input of the MAX13451E reverses the polarity of the RO receiver output (see Table 5 and 6). If the INV input is high then the RO output is low under fail-safe receiver conditions. This is the opposite polarity of normal fail-safe operations.

Fault Condition (MAX13451E)

The MAX13451E also has a FAULT output to indicate a fault condition. The FAULT output is active high when there is a short circuit at the driver's output, an over/undervoltage at the driver's outputs, or the device's temperature is higher than +150°C.

MAX13450E/MAX13451E

RS-485 Transceivers with Integrated 100Ω/120Ω Termination Resistors

Thermal Shutdown

When the devices' temperature goes over +150°C, the termination resistor turns off, and the transmitter shuts down while the receiver stays active.

Fail Safe

The MAX13450E guarantee a logic-high receiver output when the receiver inputs are shorted or open, or when they are connected to a terminated transmission line with all drivers disabled. This is done by setting the receiver input threshold between -50mV and -200mV. If the differential receiver input voltage (A - B) is greater than or equal to -50mV, RO is logic-high. If (A - B) is less than or equal to -200mV, RO is logic-low. In the case of a terminated bus with all transmitters disabled, the receiver's differential input voltage is pulled to 0V by the termination resistor. With the receiver thresholds of the MAX13450E, this results in RO being logic-high.

The MAX13451E has the same fail-safe receiver behavior as the MAX13450E when the INV input is low. When the INV input is high, RO is low under the fail-safe condition.

ESD Protection

As with all Maxim devices, ESD-protection structures are incorporated on all pins to protect against electrostatic discharges encountered during handling and assembly. The driver outputs and receiver inputs of the MAX13450E/MAX13451E have extra protection against static electricity. The ESD structures withstand high ESD in all states: normal operation, shutdown, and powered down. After an ESD event, the MAX13450E/MAX13451E keep working without latchup or damage.

ESD protection can be tested in various ways. The transmitter outputs and receiver inputs of the MAX13450E/MAX13451E are characterized for protection to the following limits:

- ±30kV using the Human Body Model
- ±15kV using the Air Gap Discharge Method specified in IEC 61000-4-2
- ±7kV using the Contact Discharge Method specified in IEC 61000-4-2

ESD Test Conditions

ESD performance depends on a variety of conditions. Contact Maxim for a reliability report that documents test setup, test methodology, and test results.

Human Body Model

Figure 11a shows the Human Body Model, and Figure 11b shows the current waveform it generates when discharged into a low impedance. This model consists of a 100pF capacitor charged to the ESD voltage of interest, which is then discharged into the test device through a 1.5kΩ resistor.

IEC 61000-4-2

The IEC 61000-4-2 standard covers ESD testing and performance of finished equipment. However, it does not specifically refer to integrated circuits. The MAX13450E/MAX13451E help equipment designs to meet IEC 61000-4-2, without the need for additional ESD-protection components. The major difference between tests done using the Human Body Model and IEC 61000-4-2 is higher peak current in IEC 61000-4-2 because series resistance is lower in the IEC 61000-4-2 model. Hence, the ESD withstand voltage measured to IEC 61000-4-2 is generally lower than that measured using the Human Body Model. Figure 11c shows the IEC 61000-4-2 model, and Figure 11d shows the current waveform for the IEC 61000-4-2 ESD Contact Discharge test.

Applications Information

Typical Applications

The MAX13450E transceiver is designed for full-duplex, bidirectional data communications on point-to-point or multipoint bus transmission lines (Figure 12). The MAX13451E transceiver is designed for half-duplex, bidirectional data communications on point-to-point or multipoint bus transmission lines (Figure 13).

256 Transceivers on the Bus

The standard RS-485 receiver input impedance is one-unit load, and the standard driver can drive up to 32-unit loads. The MAX13450E/MAX13451E have a 1/8-unit load receiver input impedance, allowing up to 256 transceivers to be connected in parallel on one communication line. Any combination of these devices, as well as other RS-485 transceivers with a total of 32-unit loads or fewer, can be connected to the line.

Reduced EMI and Reflections

The MAX13450E/MAX13451E feature reduced slew-rate drivers that minimize EMI and reduce reflections caused by improperly terminated cables, allowing error-free data transmission up to 500kbps.

RS-485 Transceivers with Integrated 100Ω/120Ω Termination Resistors

MAX13450E/MAX13451E

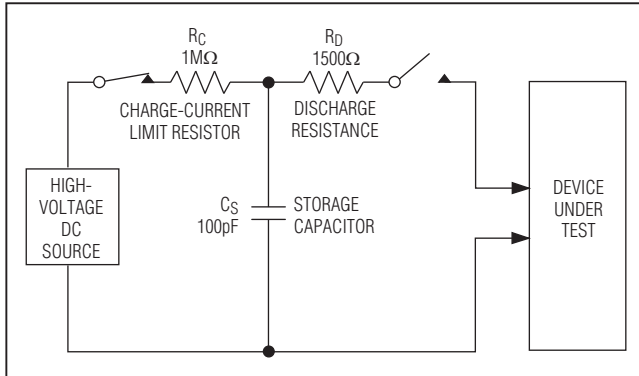


Figure 11a. Human Body ESD Test Model

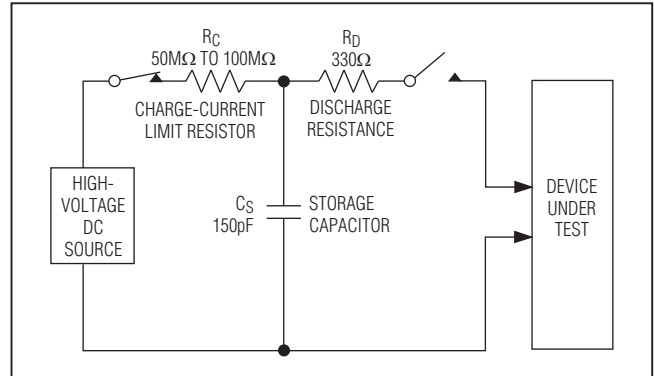


Figure 11c. IEC 61000-4-2 ESD Test Model

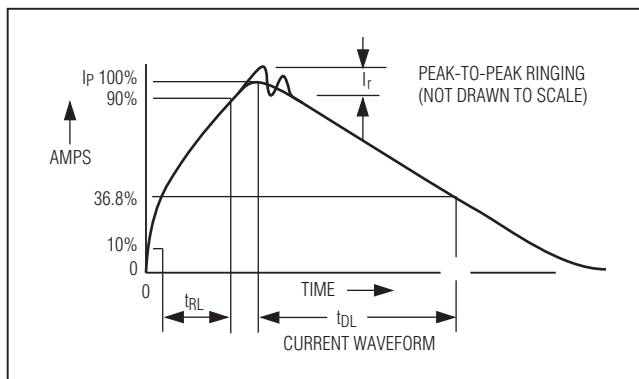


Figure 11b. Human Body Current Waveform

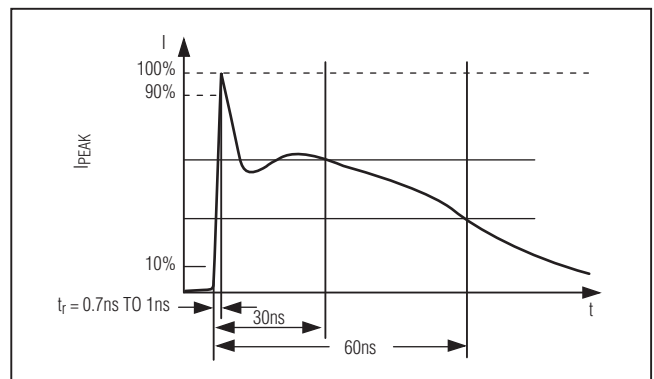


Figure 11d. IEC 61000-4-2 ESD Generator Current Waveform

Typical Application Circuits

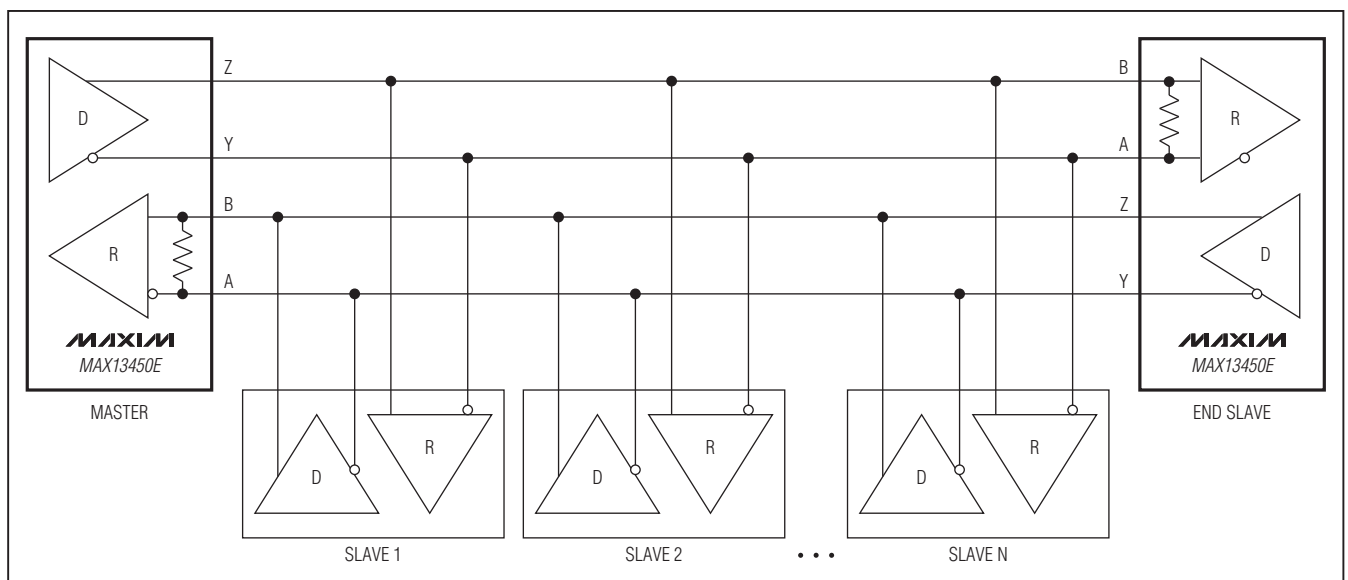


Figure 12. Full-Duplex, Multidrop (MAX13450E)

RS-485 Transceivers with Integrated 100Ω/120Ω Termination Resistors

Typical Application Circuits (continued)

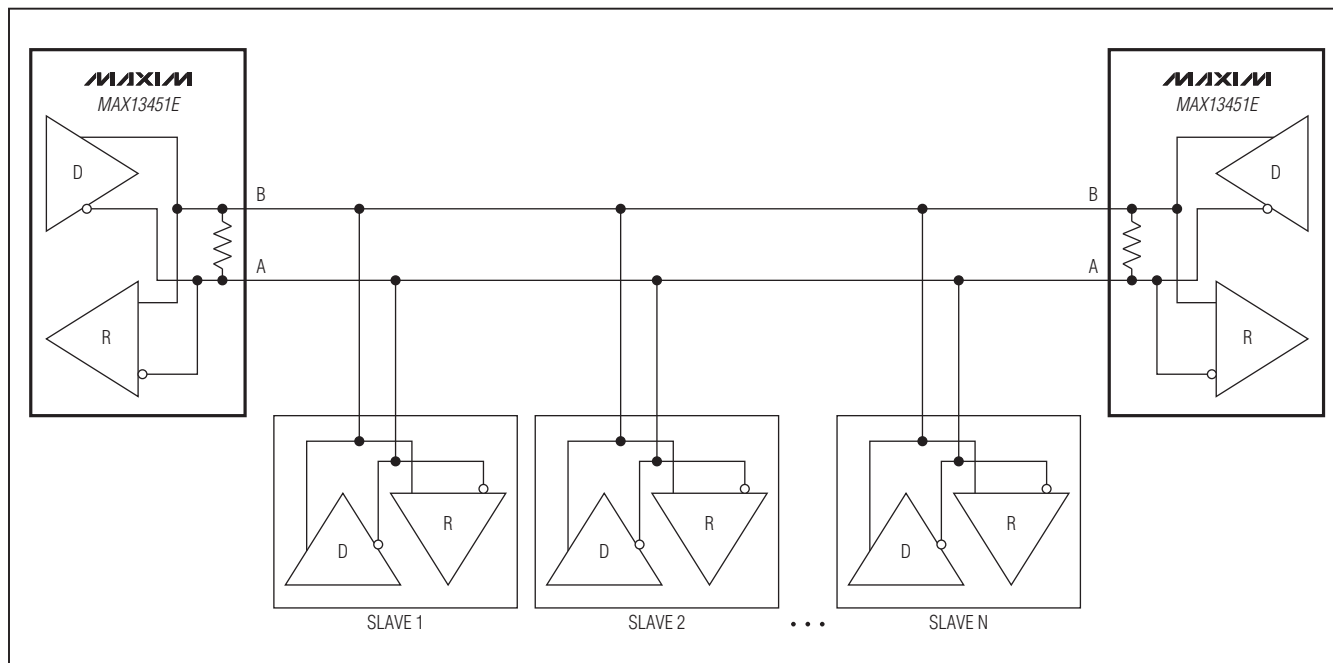


Figure 13. Half-Duplex, Multidrop, and Point-to-Point Systems (MAX13451E)

Low-Power Shutdown Mode

Drive \overline{RE} high, DE low, and \overline{TERM} high to enter low-power shutdown mode (see Table 2).

Chip Information

PROCESS: BiCMOS

Package Information

For the latest package outline information and land patterns, go to www.maxim-ic.com/packages. Note that a "+", "#", or "-" in the package code indicates RoHS status only. Package drawings may show a different suffix character, but the drawing pertains to the package regardless of RoHS status.

PACKAGE TYPE	PACKAGE CODE	DOCUMENT NO.
14 TSSOP-EP	U14E+3	21-0108

RS-485 Transceivers with Integrated 100Ω/120Ω Termination Resistors

Revision History

REVISION NUMBER	REVISION DATE	DESCRIPTION	PAGES CHANGED
0	4/10	Initial release	—

MAX13450E/MAX13451E

Maxim cannot assume responsibility for use of any circuitry other than circuitry entirely embodied in a Maxim product. No circuit patent licenses are implied. Maxim reserves the right to change the circuitry and specifications without notice at any time.

Maxim Integrated Products, 120 San Gabriel Drive, Sunnyvale, CA 94086 408-737-7600 _____ 17