

PLEASE CHECK WWW.MOLEX.COM FOR LATEST PART INFORMATION

Part Number: [0562658000](#)
Status: **Active**
Description: 3.30mm (.130") Pitch Crimp Terminal 56265, Male, 18-20 AWG, Reel, for 51346 Housing

Documents:

[3D Model](#) [Product Specification PS-51347-001 \(PDF\)](#)
[Drawing \(PDF\)](#) [RoHS Certificate of Compliance \(PDF\)](#)

General

Product Family	Crimp Terminals
Series	56265
Crimp Quality Equipment	Yes
Product Name	N/A

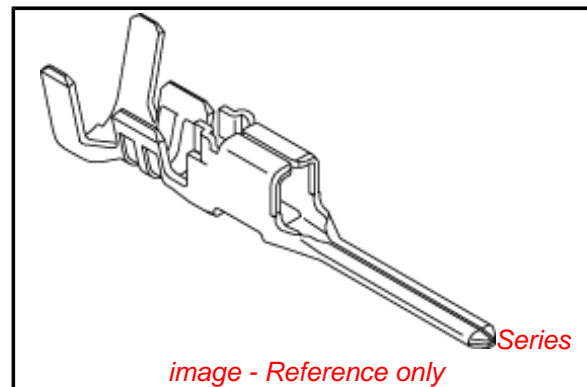
Physical

Gender	Male
Material - Metal	Phosphor Bronze
Material - Plating Mating	Tin
Material - Plating Termination	Tin
Packaging Type	Reel
Termination Interface: Style	Crimp or Compression
Wire Insulation Diameter	2.60mm (.102") max.
Wire Size AWG	18, 20
Wire Size mm ²	N/A

Material Info

Reference - Drawing Numbers

Product Specification	PS-51347-001, RPS-501328-002, RPS-51347-003, RPS-51347-004, RPS-51347-005, RPS-51347-006, RPS-51347-007
Sales Drawing	SD-56265-001



EU RoHS

ELV and RoHS Compliant
REACH SVHC Contains SVHC: No
Halogen-Free Status

China RoHS



Need more information on product environmental compliance?

Email productcompliance@molex.com
 For a multiple part number RoHS Certificate of Compliance, [click here](#)

Please visit the [Contact Us](#) section for any non-product compliance questions.

Search Parts in this Series
[56265Series](#)

Mates With
[56187](#) , [56188](#)

Use With
[51346](#)

PLEASE CHECK WWW.MOLEX.COM FOR LATEST PART INFORMATION

DWG. NO. SD-56265-001

8

7

6

5

4

3

2

F

E

D

C

B

A

DO NOT SCALE DRAWING

8

7

6

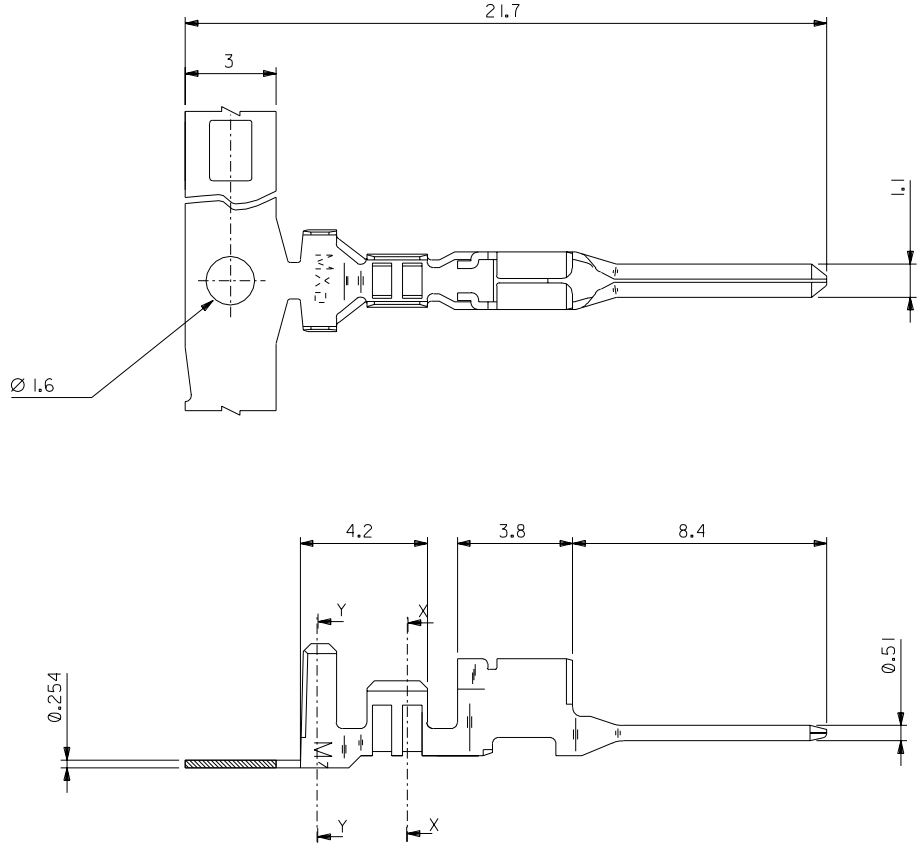
5

4

3

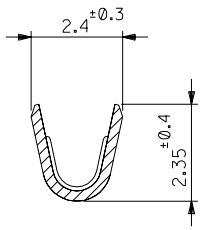
2

EN-02J(097) MXJ-54

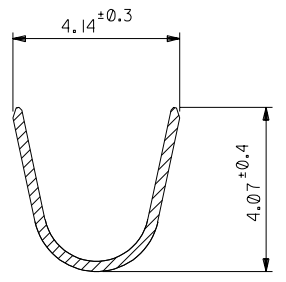


注記
NOTES

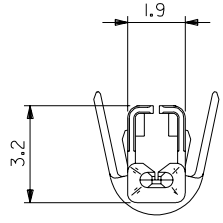
1. 使用材料 : リン青銅, 錫メッキ (t=0.254)
MATERIAL : PRE-TINNED PHOSPHOR BRONZE (t=0.254)
2. 適合ハウジング : 51346シリーズ
APPLICABLE HOUSING : 51346 SERIES



SECT. X-X



SECT. Y-Y



56265-8100	バラ状 LOOSE
56265-8000	連鎖状 CHAIN
MATERIAL NO.	端子形状 FORM

EC NO. DRWN: CHK: APPR:	EC NO. DRWN: CHK: APPR:	REVISED	MATERIAL 材料	GENERAL TOLERANCES: (UNLESS SPECIFIED) 一般公差	SCALE	DESIGN UNITS	THIRD ANGLE PROJECTION	DIMENSIONS: <input type="checkbox"/> mm <input type="checkbox"/> INCH <input checked="" type="checkbox"/> mm ONLY	SHT	REV
		EC NO. J2003-2363 DRWN: H.II '03/03/14 CHK: K.ASAKAWA APPR: T.YAMAGUCHI			FINISH 仕上げ	///				
B	A	RELEASED	注記参照 SEE NOTES	10 UNDER 未満 ±0.2	10 OVER	30 UNDER 未満 ±0.25	APPROVED BY & DATE T.YAMAGUCHI '02/10/29	MATERIAL NO. SEE CHART	DRAWING NO. SD-56265-001	SHEET NO. 1 OF 1
EC NO. J2003-1314 DRWN: H.II '02/11/08 CHK: K.ASAKAWA APPR: T.YAMAGUCHI	WIRE RANGE 適用線径範囲	AWG #18 - #20			30 OVER 以上 ±0.3	ANGLE 角度				
0	0	0	INS. RANGE 被覆外径	THIS DRAWING CONTAINS INFORMATION THAT IS PROPRIETARY TO MOLEX INCORPORATED AND SHOULD NOT BE USED WITHOUT WRITTEN PERMISSION.						SIZE B
				56265-8*00						

SD56265001.S01