

PLEASE CHECK WWW.MOLEX.COM FOR LATEST PART INFORMATION

Part Number: [0544784015](#)
Status: **Active**
Description: HMC™ Rectangular Industrial Female Housing, Single-Module, 40 Circuits, Type A Polarization

Documents:

[Drawing \(PDF\)](#) [RoHS Certificate of Compliance \(PDF\)](#)
[Product Specification PS-54478-001 \(PDF\)](#)

Agency Certification

CSA LR19980
 UL E29179

General

Product Family I/O Connectors
 Series [54478](#)
 Application Panel-Mount, Wire-to-Wire
 Component Type Housing
 Product Name HMC™
 Type N/A

Physical

Boot Color N/A
 Circuits (Loaded) N/A
 Circuits (maximum) 40
 Durability (mating cycles max) 50
 Flammability 94V-0
 Gender Female
 Lock to Mating Part Yes
 Material - Plating Mating n/a
 Number of Rows 4
 Orientation Vertical
 PCB Locator No
 Packaging Type Bag
 Panel Mount N/A
 Pitch - Mating Interface (in) 0.177 In
 Pitch - Mating Interface (mm) 4.50 mm
 Pitch - Term. Interface (in) 0.177 In
 Pitch - Term. Interface (mm) 4.50 mm
 Polarized to Mating Part Yes
 Polarized to PCB N/A
 Ports 1
 Surface Mount Compatible (SMC) No
 Temperature Range - Operating -40°C to +125°C
 Termination Interface: Style N/A
 Waterproof / Dustproof Yes
 Waterproof / Dustproof Type IP65

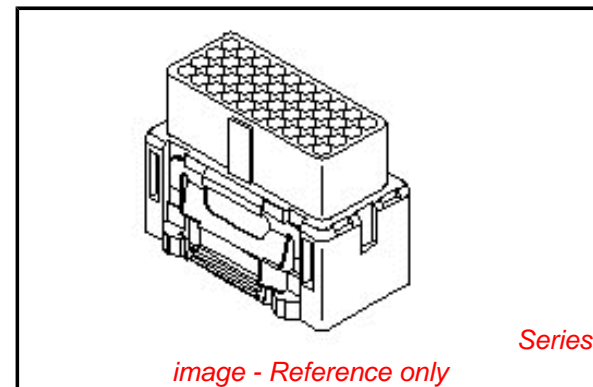
Electrical

Current - Maximum per Contact 10A
 Shielded No
 Voltage - Maximum 300V DC

Material Info

Reference - Drawing Numbers

Product Specification PS-54478-001



EU RoHS

ELV and RoHS Compliant
REACH SVHC
 Not Reviewed
Halogen-Free Status
 Not Reviewed

China RoHS



Need more information on product environmental compliance?

Email productcompliance@molex.com
 For a multiple part number RoHS Certificate of Compliance, [click here](#)

Please visit the [Contact Us](#) section for any non-product compliance questions.

Search Parts in this Series

[54478Series](#)

Mates With

[55347-4015](#) housing

Use With

[58783-0011](#) panel-mount bracket, [54296](#) terminal, [58782-0011](#) hood bracket

This document was generated on 04/02/2010

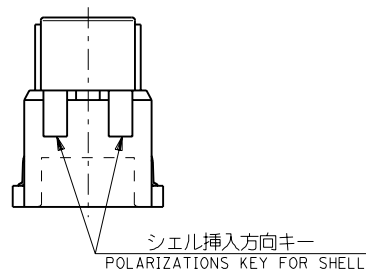
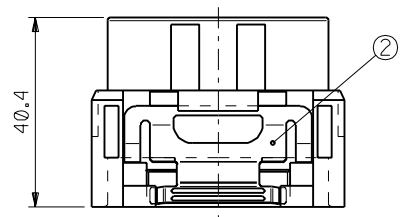
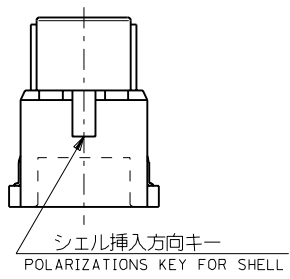
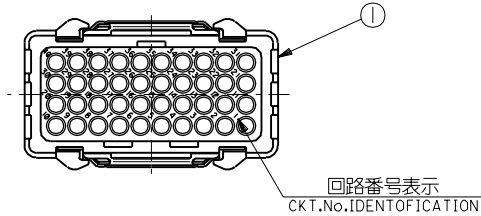
PLEASE CHECK WWW.MOLEX.COM FOR LATEST PART INFORMATION

E

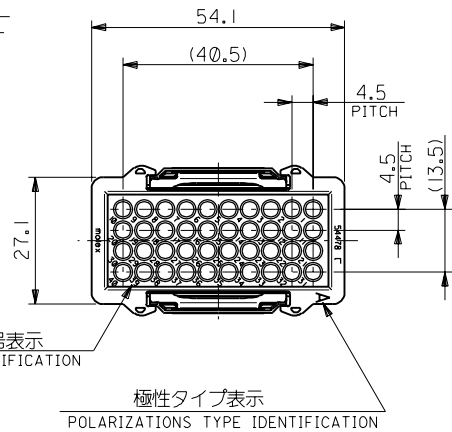
D

C
B
A
DIMENSIONS IN METRIC DO NOT SCALE DRAWING

嵌合側
MATING SIDE



電線挿入側
WIRE SIDE



M+

- NOTES
- 嵌合相手 : 55347-4015
MATES WITH : 55347-4015
 - 適用端子 : 54296-9***
APPLICABLE PIN CONTACT : 54296-9***
 - 適用シェルアッセンブリ
APPLICABLE SHELL ASS'Y
プラグ : 58782-0011
PLUG : 58782-0011
リセプタクル : 58783-0011
RECEPTACLE : 58783-0011

②	スプリング SPRING	ステンレス STAINLESS STEEL	2	54478-4015	40
①	フィメイルハウジング アッセンブリ FEMALE HOUSING ASS'Y	ポリカーボネイト UL94V-0 グレー POLYCARBONATE UL94V-0 GRAY	1		
部番 NO.	部品名 PARTS NAME	材質 MATERIAL	個数 QUAN.	製品番号 ENG. NO.	極数 CKTS.

角度 ANGLE	±3°	材料 MATERIAL	表参照 SEE TABLE
30以上 OVER	+0.3	仕上げ FINISH	— #
10以上 30未満 OVER UNDER	+0.25	適用電線範囲 WIRE RANGE	— #
10未満 UNDER	+0.2	被覆外径 INS. RANGE	— #
一般公差 GENERAL TOLERANCES	記号 LTR	変更内容 REVISION RECORD	DR. 日付 CHK. DATE
	◇×◇ RELEASED	(J.D90683)	J.M. Y.1 98/11/06
			APP'D BY CHK. DATE
			CHK'D BY SCALE 1-1

molex MOLEX-JAPAN CO.,LTD.
日本モレックス株式会社

REVISE ONLY ON CAD SYSTEM

TITLE 名称
ROBOT CONN.
FEMALE HS'G ASS'Y
(嵌合極性タイプ A)
(MATING POLARIZATIONS TYPE A)

DWG. NO. SD-54478-4015

REV 0