

## FEATURES AND SPECIFICATIONS

### Features and Benefits

- High current
- Fully polarized
- Positive locks
- Low engagement force
- Wire-to-wire, wire-to-board

### Reference Information

Product Specification: PS-42815-0001  
 Packaging: Reel  
 UL File No.: E29179  
 CSA File No.: LR19980  
 TUV License No.: R9751144  
 Use With: 42818 and 43938 housings  
 Designed In: Millimeters

### Electrical

Voltage: 600V  
 Current: 49.0A max.  
 Contact Resistance: 1mΩ max.  
 Dielectric Withstanding Voltage: 1500V  
 Insulation Resistance: 1000 MΩ min.

### Mechanical

Contact Insertion Force: 5.0kg max.  
 Contact Retention to Housing: 9.0kg min.  
 Wire Pull-Out Force: 12 AWG—31.0kg  
 Insertion Force to PCB: 2.0kg max.  
 Mating Force: 1.0kg max.  
 Unmating Force: 0.5kg min.  
 Normal Force: 200g min.  
 Durability: 30 cycles

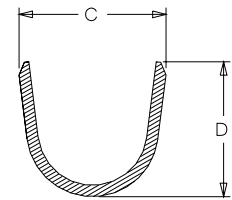
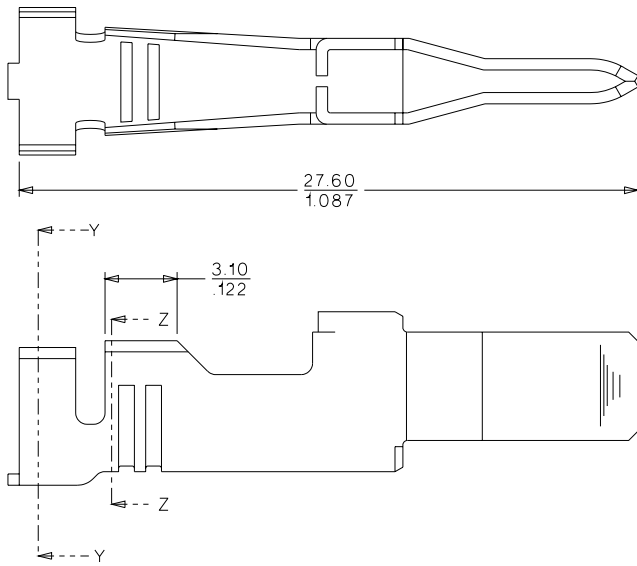
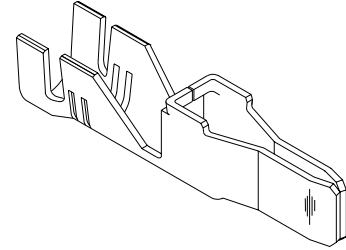
### Physical

Contact: Copper Alloy  
 Plating: Tin/Lead over Nickel  
 Temperature: -40 to +105°C

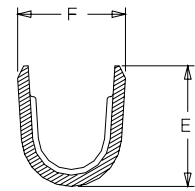
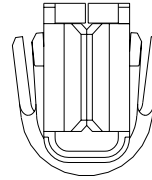
# molex® 10.00mm (.393") Pitch Mini-Fit, Sr.™ Terminal

## 42817

## Male



SECTION Y-Y



SECTION Z-Z

## ORDERING INFORMATION AND DIMENSIONS

Order No.	Wire Size (AWG)	Dimension			
		C	D	E	F
42817-0011	12 and 10	5.90 (.232)	6.60 (.260)	6.10 (.240)	5.40 (.213)
42817-0031	8	6.00 (.236)	5.50 (.216)	7.42 (.292)	5.83 (.229)