

PLEASE CHECK WWW.MOLEX.COM FOR LATEST PART INFORMATION

Part Number: [0354089502](#)
Status: **Active**
Description: 2.28mm (.090") Tab Terminal, 0.30mm (.012") Thickness, 0.85-1.25 AVSS, 0.25mm (.010") Thickness, Pre-Tin Plated

Documents:

[Drawing \(PDF\)](#) [RoHS Certificate of Compliance \(PDF\)](#)
[Product Specification PS-35519-001 \(PDF\)](#)

General

Product Family	Crimp Terminals
Series	35408
Crimp Quality Equipment	Yes
Product Name	N/A

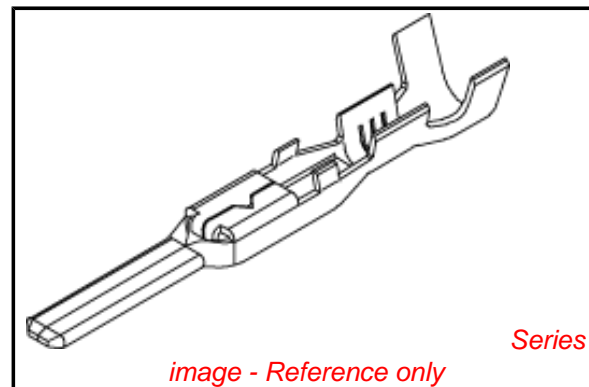
Physical

Gender	Male
Material - Metal	Brass
Material - Plating Mating	Tin
Packaging Type	Reel
Termination Interface: Style	Crimp or Compression
Wire Insulation Diameter	1.90mm (.075") max.
Wire Size AWG	16, 18
Wire Size mm ²	N/A

Material Info

Reference - Drawing Numbers

Product Specification	PS-35519-001
Sales Drawing	SD-35408-9102.9202



EU RoHS

**ELV and RoHS
Compliant**
**REACH SVHC
Contains SVHC: No**
**Halogen-Free
Status**

China RoHS



**Need more information on product
environmental compliance?**

Email productcompliance@molex.com
 For a multiple part number RoHS Certificate of Compliance, [click here](#)

Please visit the [Contact Us](#) section for any non-product compliance questions.

Search Parts in this Series

[35408Series](#)

Mates With

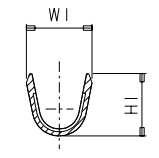
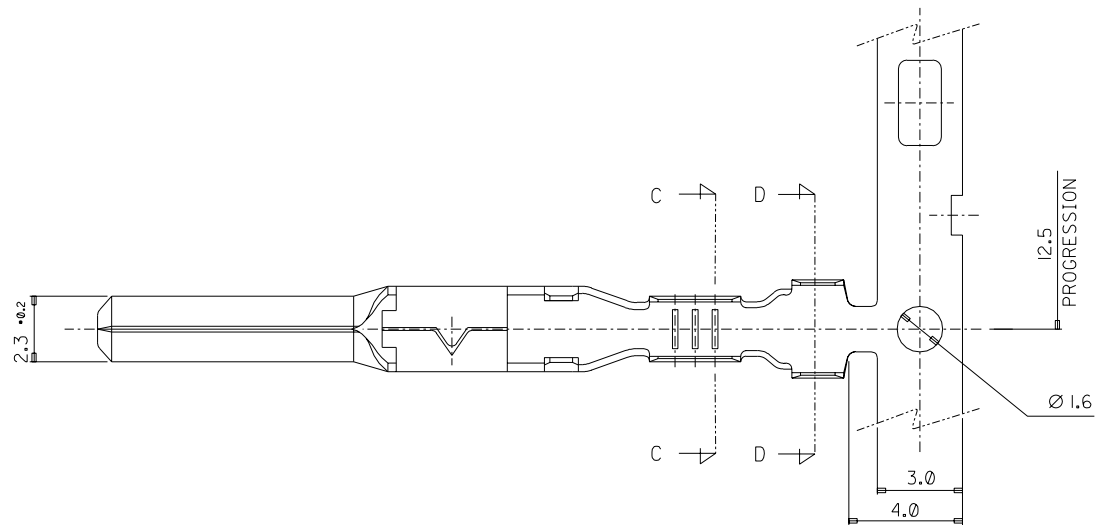
[35407](#)

ENG. NO. SD 35408-9102/202

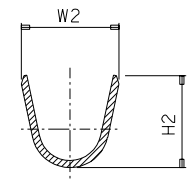
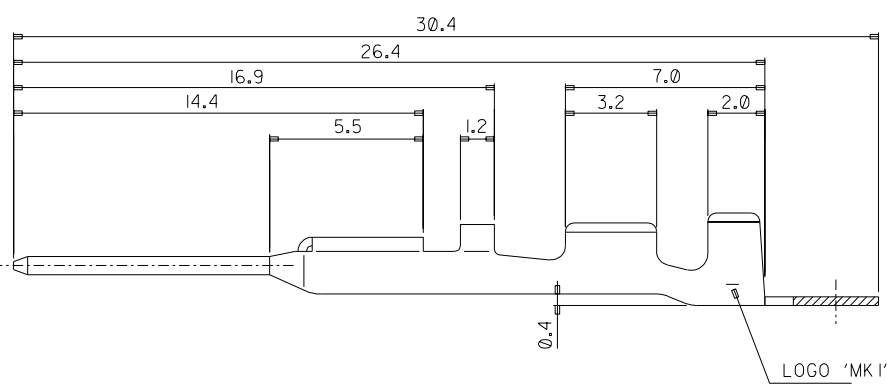
EDP NO.

SIMILAR ITEM

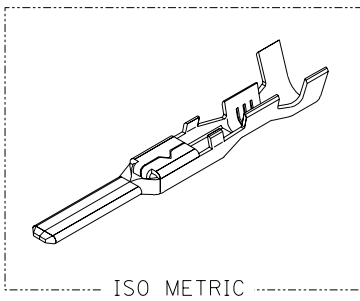
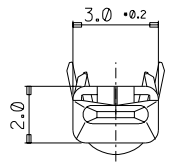
PROJECT NO.



SECTION: C-C



SECTION: D-D



ISO METRIC

NOTE

1. MATERIAL: BRASS, ± 0.3
2. FINISH: PRE-TIN PLATE
3. RECOMMENDED LENGTH OF WIRE STRIP: 5.0-5.6

NO.	ENG-NO.	TYPE	PART NAME	CABLE SIZE (mm ²)	DEMENSION			
					W1	H1	W2	H2
1	35408-9102	(S)	.090 MALE TER'L	AVSS(AVS), 0.3 ± 0.5	2.5	2.5	3.4	3.3
2	35408-9202	(L)	.090 MALE TER'L	AVSS(AVS), 2.0	3.6	3.6	4.2	4.1
3	35408-9502	(M)	.090 MALE TER'L	AVSS(AVS), 0.85 ± 1.25	2.8	3.0	4.2	4.1

		MATERIAL		SEE NOTE	MOLEX MOLEX-KOREA CO.,LTD.	
		GENERAL TOLERANCE		DIMENSION : ± 0.3		DRAWN BY B.C.YOON
		ANGLE :				CHK'D BY
C	ADDED BARREL	KOR2000-0018	00/3/11	DIMENSION CLASSIFICATION		APP'D BY
B	CHANGED FORM	KOR1998-0046	08/3/24	<input checked="" type="checkbox"/> : CRITICAL <input type="checkbox"/> : MAJOR <input type="checkbox"/> : REFERENCE		SCALE
A	NEW RELEASE	KOR70072	07/6/30	ASS'Y PART		TITLE :
LTR	REVISION RECORD	ECN	DATE	DESCRIPTION		ENG. NO.
REVISE ONLY ON CAD SYSTEM						SD 35408-9102/9202
						SHEET 1/1
						REV C