

PLEASE CHECK WWW.MOLEX.COM FOR LATEST PART INFORMATION

Part Number: [0014567117](#)
Status: **Active**
Overview: [cgrid_sl_products](#)
Description: 2.54mm (.100") Pitch SL™ Insulation Displacement Connector Assembly, Female, Single Row, Version G, Positive Lock, Wire Size 22, 0.38µm (15µ") Gold (Au), 11 Circuits

Documents:

[3D Model](#) [Product Specification PS-70400 \(PDF\)](#)
[Drawing \(PDF\)](#) [RoHS Certificate of Compliance \(PDF\)](#)

Agency Certification

CSA LR19980
 UL E29179

General

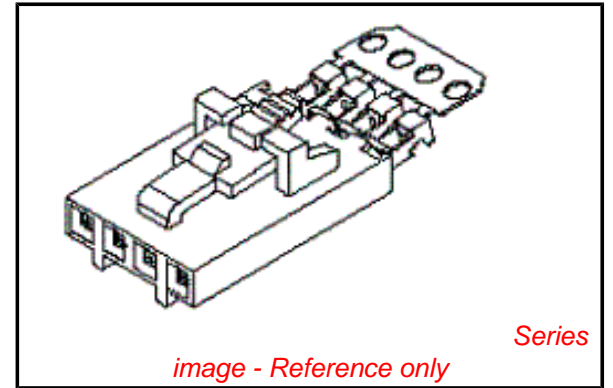
Product Family Ribbon Cable / Wire Trap Connectors
 Series [70400](#)
 Comments Terminals Preloaded
 Component Type Housing
 Glow-Wire Compliant No
 Overview [cgrid_sl_products](#)
 Product Name SL™

Physical

Circuits (Loaded) 11
 Color - Resin Black
 Durability (mating cycles max) 50
 Entry Angle Vertical
 Flammability 94V-0
 Lock to Mating Part Yes
 Material - Metal Phosphor Bronze
 Material - Plating Mating Gold
 Material - Plating Termination Tin
 Material - Resin Polyester Alloy
 Number of Rows 1
 PCB Retention None
 Packaging Type Tube
 Pitch - Mating Interface (in) 0.100 In
 Pitch - Mating Interface (mm) 2.54 mm
 Plating min: Mating (µin) 15
 Plating min: Mating (µm) 0.375
 Plating min: Termination (µin) 75
 Plating min: Termination (µm) 1.875
 Polarized to Mating Part Yes
 Stackable Yes
 Surface Mount Compatible (SMC) N/A
 Temperature Range - Operating -40°C to +105°C
 Termination Interface: Style IDT or Pierce
 Wire Insulation Diameter 1.35mm (.053") max.
 Wire Size AWG 22
 Wire/Cable Type Discrete Wire, Ribbon Cable

Electrical

Current - Maximum per Contact 3A
 Voltage - Maximum 250V



EU RoHS

**ELV and RoHS
 Compliant**
**REACH SVHC
 Not Reviewed**
**Halogen-Free
 Status
 Not Reviewed**

China RoHS



**Need more information on product
 environmental compliance?**

Email productcompliance@molex.com
 For a multiple part number RoHS Certificate of Compliance, [click here](#)

Please visit the [Contact Us](#) section for any non-product compliance questions.

Search Parts in this Series

[70400Series](#)

Mates With

[70018](#) , [70107A/B](#), [70543](#), [70545](#) , [70553](#) , [70555](#)

Use With

[7307](#) Tinned 28AWG, [7767](#) Topcoat 28AWG, [24241](#) Tinned 26AWG, [8996](#) Topcoat 26AWG, [24226](#) Tinned 24AWG, [8997](#) Topcoat 24AWG, [24369](#) High Flex 26AWG, [24389](#) High Flex 24AWG

Application Tooling | FAQ

Tooling specifications and manuals are found by selecting the products below. Crimp Height Specifications are then contained in the Application Tooling Specification document.

Global

Description	Product #
Hawk Semi- Automatic Discrete	0011201337

Material Info

Old Part Number 70400-2985

Reference - Drawing Numbers

Product Specification PS-70400
Sales Drawing SDA-70400-2976-2999

Wire Terminator for
SL - Rebuilt US*
Hawk™ Ribbon 0623003000
Cable Terminator for
SL without Break-off
Hawk™ Semi- 0623004900
Automatic Discrete
Wire Terminator
for SL - Rebuilt CE
Approved*
Hawk™ Flat Flex 0623005200
Cable Terminator for
SL with Break-off
Hawk™ Ribbon 0623005300
Cable Terminator
with for SL Break-off
IDT Discrete 0621000700
Handtool Module for
SL™
Hawk™ Semi- 0623003100
Automatic Discrete
Wire Terminator for
SL

This document was generated on 05/21/2010

PLEASE CHECK WWW.MOLEX.COM FOR LATEST PART INFORMATION

OPTION G

NOTES:

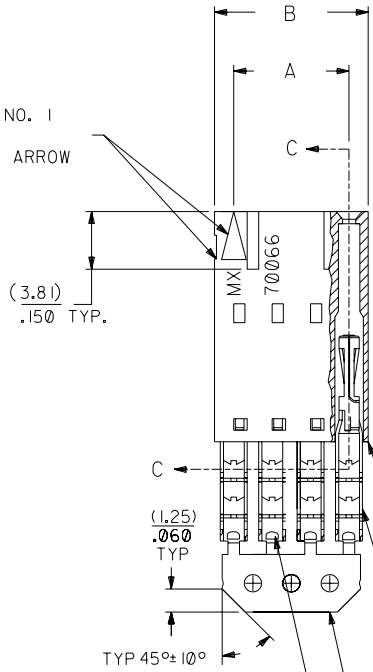
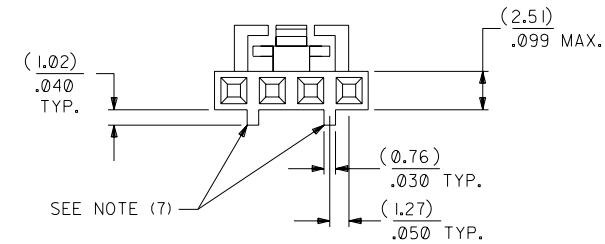
- TO BE USED WITH (22) AWG. STRANDED WIRE WITH (1.35)/.053 DIA. MAX. INSULATION.
- SEE CHART FOR CIRCUIT SIZES.
- STANDARD PACKAGING PER PK-70873-0001. OPTIONAL PACKAGING MAY BE AVAILABLE, REQUEST DWG. PK-70400
- PARTS STACKABLE END TO END ON (2.54)/.100 CENTERS.
- REFER TO PRODUCT SPECIFICATION: PS-70400.
- SEE DWG. SDA-70400-**** (SHT. 5) FOR OPTIONAL HOUSING DETAILS.
- 4 CIRCUIT SHOWN. 4 - 25 CKT'S. HAVE (2) RIBS.
- TO MATE WITH MOLEX PART NO'S.: A-70373-****, A-70375-****, A-70389-****, A-70391-****, 70107-****, 70018-****, A-70543-****, A-70553-****, A-70541-****, A-70551-****, A-70545-****, A-70555-****.
- 2 CIRCUIT ASSEMBLIES SUPPLIED AS GROUPED PAIRS.



SECTION C-C



CIRCUIT NO. 1
SLOT OR ARROW



I.D. SLOT CODE TO WIRE GAUGE CHART	
I.D. SLOT CODE	WIRE GAUGE
D	22 AWG.

PLATING CODE (STRIPE ON CARRIER STRIP)	
PLATING	COLOR
15 GOLD	YELLOW

TERMINAL PART NO. 70028-****
MATERIAL: PHOSPHOR BRONZE
PLATING PER ES-88-***

15 GOLD - .000015 MIN. GOLD IN SELECT AREA WITH .000075 MIN. TIN IN SELECT AREA OVER .000050 MIN. NICKEL OVER-ALL.

*THE PRIMARY SHIPPING CARTON WILL BE LABELED "COMPLIANT TO ROHS DIRECTIVE 2002/95/EC AND ELV ANNEX II OF DIRECTIVE 2000/53/EC". CARTONS WITHOUT THIS LABEL MAY CONTAIN PRODUCT WITH LEAD.

CKT. SIZE	A	B	EDP. NO.	ENG. NO.
2	(2.54) .100	(5.05) .199	14-56-7027	A-70400-2976
3	(5.08) .200	(7.59) .299	14-56-7037	A-70400-2977
4	(7.62) .300	(10.13) .399	14-56-7047	A-70400-2978
5	(10.16) .400	(12.67) .499	14-56-7057	A-70400-2979
6	(12.70) .500	(15.21) .599	14-56-7067	A-70400-2980
7	(15.24) .600	(17.75) .699	14-56-7077	A-70400-2981
8	(17.78) .700	(20.29) .799	14-56-7087	A-70400-2982
9	(20.32) .800	(22.83) .899	14-56-7097	A-70400-2983
10	(22.86) .900	(25.37) .999	14-56-7107	A-70400-2984
11	(25.54) 1.000	(27.91) 1.099	14-56-7117	A-70400-2985
12	(27.94) 1.100	(30.45) 1.199	14-56-7127	A-70400-2986
13	(30.48) 1.200	(32.99) 1.299	14-56-7137	A-70400-2987
14	(33.02) 1.300	(35.53) 1.399	14-56-7147	A-70400-2988
15	(35.56) 1.400	(38.07) 1.499	14-56-7157	A-70400-2989
16	(38.01) 1.500	(40.61) 1.599	14-56-7167	A-70400-2990
17	(40.64) 1.600	(43.15) 1.699	14-56-7177	A-70400-2991
18	(43.18) 1.700	(45.69) 1.799	14-56-7187	A-70400-2992
19	(45.72) 1.800	(48.23) 1.899	14-56-7197	A-70400-2993
20	(48.26) 1.900	(50.77) 1.999	14-56-7207	A-70400-2994
21	(50.80) 2.000	(53.31) 2.099	14-56-7217	A-70400-2995
22	(53.34) 2.100	(55.85) 2.199	14-56-7227	A-70400-2996
23	(55.88) 2.200	(58.39) 2.299	14-56-7237	A-70400-2997
24	(58.42) 2.300	(60.93) 2.399	14-56-7247	A-70400-2998
25	(60.96) 2.400	(63.47) 2.499	14-56-7257	A-70400-2999

LTR.	REVISIONS	LTR.	REVISIONS
	E I		D
	E		D
F	LEAD FREE UCP2004-1769 RWHITE 04/03/22		

DRWG. BY	CHK'D. BY	SCALE
AAB	WAZ	4:1

DIMENSIONS SHOWN (METRIC) INCH	
UNLESS OTHERWISE SPECIFIED TOLERANCES: ANGULAR ± 1/2°	
INCH	METRIC
3 PLACE ± .010	---
2 PLACE ± .014	± 0.25
1 PLACE ---	± 0.35

REVISIONS		REVISIONS																					
<table border="1"> <tr> <td>ADD CARRIER CHAMF ECN # UDT1998-0280 05/20/98 LMCCRATH</td> <td>REVISED PER ECR# U00049 9-29-90 MGB</td> <td>REVISED PER ECN# U90726 7-10-89 MGB</td> <td>REVISED PER ECN# U90726 7-10-89 MGB</td> </tr> </table>				ADD CARRIER CHAMF ECN # UDT1998-0280 05/20/98 LMCCRATH	REVISED PER ECR# U00049 9-29-90 MGB	REVISED PER ECN# U90726 7-10-89 MGB	REVISED PER ECN# U90726 7-10-89 MGB																
ADD CARRIER CHAMF ECN # UDT1998-0280 05/20/98 LMCCRATH	REVISED PER ECR# U00049 9-29-90 MGB	REVISED PER ECN# U90726 7-10-89 MGB	REVISED PER ECN# U90726 7-10-89 MGB																				
<table border="1"> <tr> <td>DRWG. BY: AAB</td> <td>CHK'D. BY: WAZ</td> <td>SCALE: 4:1</td> <td></td> </tr> </table>				DRWG. BY: AAB	CHK'D. BY: WAZ	SCALE: 4:1																	
DRWG. BY: AAB	CHK'D. BY: WAZ	SCALE: 4:1																					
<table border="1"> <tr> <td colspan="2">DIMENSIONS SHOWN (METRIC) INCH</td> <td colspan="2">UNLESS OTHERWISE SPECIFIED TOLERANCES: ANGULAR ± 1/2°</td> </tr> <tr> <td>INCH</td> <td>METRIC</td> <td>INCH</td> <td>METRIC</td> </tr> <tr> <td>3 PLACE ± .010</td> <td>---</td> <td>3 PLACE ± .010</td> <td>---</td> </tr> <tr> <td>2 PLACE ± .014</td> <td>± 0.25</td> <td>2 PLACE ± .014</td> <td>± 0.25</td> </tr> <tr> <td>1 PLACE ---</td> <td>± 0.35</td> <td>1 PLACE ---</td> <td>± 0.35</td> </tr> </table>				DIMENSIONS SHOWN (METRIC) INCH		UNLESS OTHERWISE SPECIFIED TOLERANCES: ANGULAR ± 1/2°		INCH	METRIC	INCH	METRIC	3 PLACE ± .010	---	3 PLACE ± .010	---	2 PLACE ± .014	± 0.25	2 PLACE ± .014	± 0.25	1 PLACE ---	± 0.35	1 PLACE ---	± 0.35
DIMENSIONS SHOWN (METRIC) INCH		UNLESS OTHERWISE SPECIFIED TOLERANCES: ANGULAR ± 1/2°																					
INCH	METRIC	INCH	METRIC																				
3 PLACE ± .010	---	3 PLACE ± .010	---																				
2 PLACE ± .014	± 0.25	2 PLACE ± .014	± 0.25																				
1 PLACE ---	± 0.35	1 PLACE ---	± 0.35																				
<table border="1"> <tr> <td colspan="2">DRAWING INFORMATION</td> <td colspan="2">DRAWING INFORMATION</td> </tr> <tr> <td>DRWG. NO. SDA-70400-2976-2999</td> <td>REV. NO. 1</td> <td>DRWG. NO. SDA-70400-2976-2999</td> <td>REV. NO. 1</td> </tr> </table>				DRAWING INFORMATION		DRAWING INFORMATION		DRWG. NO. SDA-70400-2976-2999	REV. NO. 1	DRWG. NO. SDA-70400-2976-2999	REV. NO. 1												
DRAWING INFORMATION		DRAWING INFORMATION																					
DRWG. NO. SDA-70400-2976-2999	REV. NO. 1	DRWG. NO. SDA-70400-2976-2999	REV. NO. 1																				
<table border="1"> <tr> <td>FILE NAME: 74002976.DGN</td> <td>THIS DRAWING CONTAINS INFORMATION THAT IS PROPRIETARY TO MOLEX INC. AND SHOULD NOT BE USED WITHOUT WRITTEN PERMISSION.</td> <td>DATE: 10/26/87</td> <td>U.S.A.</td> </tr> </table>				FILE NAME: 74002976.DGN	THIS DRAWING CONTAINS INFORMATION THAT IS PROPRIETARY TO MOLEX INC. AND SHOULD NOT BE USED WITHOUT WRITTEN PERMISSION.	DATE: 10/26/87	U.S.A.																
FILE NAME: 74002976.DGN	THIS DRAWING CONTAINS INFORMATION THAT IS PROPRIETARY TO MOLEX INC. AND SHOULD NOT BE USED WITHOUT WRITTEN PERMISSION.	DATE: 10/26/87	U.S.A.																				

MFG. SH. REV.

REVISIONS		REVISIONS																					
<table border="1"> <tr> <td colspan="2">DIMENSIONS SHOWN (METRIC) INCH</td> <td colspan="2">UNLESS OTHERWISE SPECIFIED TOLERANCES: ANGULAR ± 1/2°</td> </tr> <tr> <td>INCH</td> <td>METRIC</td> <td>INCH</td> <td>METRIC</td> </tr> <tr> <td>3 PLACE ± .010</td> <td>---</td> <td>3 PLACE ± .010</td> <td>---</td> </tr> <tr> <td>2 PLACE ± .014</td> <td>± 0.25</td> <td>2 PLACE ± .014</td> <td>± 0.25</td> </tr> <tr> <td>1 PLACE ---</td> <td>± 0.35</td> <td>1 PLACE ---</td> <td>± 0.35</td> </tr> </table>				DIMENSIONS SHOWN (METRIC) INCH		UNLESS OTHERWISE SPECIFIED TOLERANCES: ANGULAR ± 1/2°		INCH	METRIC	INCH	METRIC	3 PLACE ± .010	---	3 PLACE ± .010	---	2 PLACE ± .014	± 0.25	2 PLACE ± .014	± 0.25	1 PLACE ---	± 0.35	1 PLACE ---	± 0.35
DIMENSIONS SHOWN (METRIC) INCH		UNLESS OTHERWISE SPECIFIED TOLERANCES: ANGULAR ± 1/2°																					
INCH	METRIC	INCH	METRIC																				
3 PLACE ± .010	---	3 PLACE ± .010	---																				
2 PLACE ± .014	± 0.25	2 PLACE ± .014	± 0.25																				
1 PLACE ---	± 0.35	1 PLACE ---	± 0.35																				
<table border="1"> <tr> <td colspan="2">DRAWING INFORMATION</td> <td colspan="2">DRAWING INFORMATION</td> </tr> <tr> <td>DRWG. NO. SDA-70400-2976-2999</td> <td>REV. NO. 1</td> <td>DRWG. NO. SDA-70400-2976-2999</td> <td>REV. NO. 1</td> </tr> </table>				DRAWING INFORMATION		DRAWING INFORMATION		DRWG. NO. SDA-70400-2976-2999	REV. NO. 1	DRWG. NO. SDA-70400-2976-2999	REV. NO. 1												
DRAWING INFORMATION		DRAWING INFORMATION																					
DRWG. NO. SDA-70400-2976-2999	REV. NO. 1	DRWG. NO. SDA-70400-2976-2999	REV. NO. 1																				
<table border="1"> <tr> <td>FILE NAME: 74002976.DGN</td> <td>THIS DRAWING CONTAINS INFORMATION THAT IS PROPRIETARY TO MOLEX INC. AND SHOULD NOT BE USED WITHOUT WRITTEN PERMISSION.</td> <td>DATE: 10/26/87</td> <td>U.S.A.</td> </tr> </table>				FILE NAME: 74002976.DGN	THIS DRAWING CONTAINS INFORMATION THAT IS PROPRIETARY TO MOLEX INC. AND SHOULD NOT BE USED WITHOUT WRITTEN PERMISSION.	DATE: 10/26/87	U.S.A.																
FILE NAME: 74002976.DGN	THIS DRAWING CONTAINS INFORMATION THAT IS PROPRIETARY TO MOLEX INC. AND SHOULD NOT BE USED WITHOUT WRITTEN PERMISSION.	DATE: 10/26/87	U.S.A.																				