

**PLEASE CHECK WWW.MOLEX.COM FOR LATEST PART INFORMATION**

**Part Number:** **0595885000**  
**Status:** **Active**  
**Description:** CRC™ Shielded Rectangular I/O Plug Cover B, For Plug Assembly, Signal, 50 Circuits

**Documents:**

[Drawing \(PDF\)](#) [Product Specification PS-51300-001 \(PDF\)](#)  
[Product Specification PS-51238-016 \(PDF\)](#) [RoHS Certificate of Compliance \(PDF\)](#)  
[Product Specification PS-51238-017 \(PDF\)](#)

**General**

Product Family	I/O Connectors
Series	59588
Application	Wire-to-Wire
Component Type	Plug Cover
Product Name	CRC™
Type	N/A

**Physical**

Boot Color	N/A
Circuits (Loaded)	N/A
Circuits (maximum)	50
Durability (mating cycles max)	100
Gender	N/A
Keying to Mating Part	Yes
Lock to Mating Part	Yes
Material - Metal	Zinc Alloy
Material - Plating Mating	n/a
Orientation	Vertical
PCB Locator	No
Packaging Type	Bag
Panel Mount	No
Pitch - Mating Interface (in)	0.000 In
Pitch - Mating Interface (mm)	0.00 mm
Polarized to Mating Part	N/A
Polarized to PCB	N/A
Surface Mount Compatible (SMC)	N/A
Temperature Range - Operating	-40°C to +105°C
Termination Interface: Style	N/A
Waterproof / Dustproof	No

**Electrical**

Current - Maximum per Contact	2.5A
Shielded	No
Voltage - Maximum	250V AC (RMS)/DC

**Material Info**

**Reference - Drawing Numbers**

Product Specification	PS-51238-016, PS-51238-017, PS-51300-001
Sales Drawing	SD-59588-002



image - Reference only

**EU RoHS**  
**ELV and RoHS**  
**Compliant**  
**REACH SVHC**  
 Not Reviewed  
**Halogen-Free**  
**Status**  
 Not Reviewed

**China RoHS**



**Need more information on product environmental compliance?**

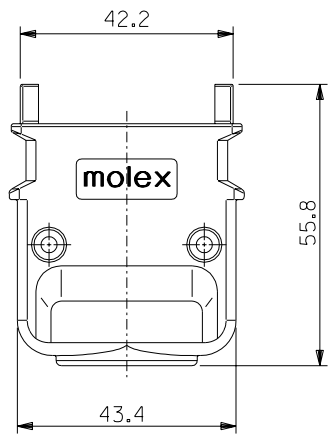
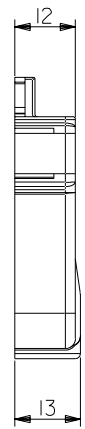
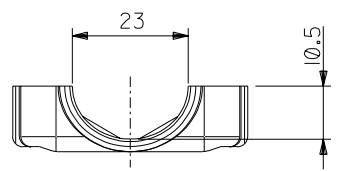
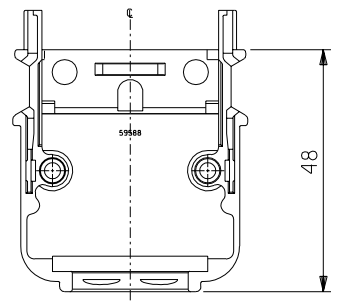
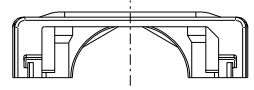
Email [productcompliance@molex.com](mailto:productcompliance@molex.com)  
 For a multiple part number RoHS Certificate of Compliance, [click here](#)

Please visit the [Contact Us](#) section for any non-product compliance questions.

**Search Parts in this Series**  
 59588Series

**Use With**  
 51234-501\* and 51239-501\* plug housing|  
 54332-500\* and 55836-500\* plug assembly set

DWG. NO. SD-59588-002



注記  
NOTES

1. 材 質  
MATERIAL  
亜鉛合金、ニッケルメッキ  
ZINC ALLOY, NI PLATING
2. 適用プラグカバーA : 59587-5010  
APPLICABLE PLUG COVER A : 59587-5010
3. 適合ネジ : 十字穴付きなべ小ネジ (58203-0030)  
APPLICABLE SCREW : CROSS RECESSED PAN HEAD MACHINE SCREW (58203-0030)  
ネジサイズ : M3X12  
SCREW SIZE : M3X12

59588-5000	59588-****
MATERIAL NO.	MODEL NO.

DO NOT SCALE DRAWING

EC NO. DRWN: CHK: APPR:	EC NO. DRWN: CHK: APPR:	EC NO. DRWN: CHK: APPR:	REVISED '02/06/03	MATERIAL 材料	GENERAL TOLERANCES: (UNLESS SPECIFIED) 一般公差	SCALE	DESIGN UNITS <input checked="" type="checkbox"/> mm <input type="checkbox"/> INCH	THIRD ANGLE PROJECTION	DIMENSIONS: <input type="checkbox"/> mm <input type="checkbox"/> INCH <input checked="" type="checkbox"/> mm ONLY	SHT	REV		
			EC NO. J2002-3016 DRWN: S.AKIYAMA CHK: J.MIYAZAWA APPR: YO.IITO									FINISH 仕上げ	10 UNDER 未満
A	0	0	RELEASED '02/02/04	注記参照 SEE NOTES	10 OVER 30 UNDER 以上 未満	±0.25	±0.3	CHECKED BY & DATE <i>J. Mizuno</i> '02/02/04	MATERIAL NO.	DRAWING NO.	SHEET NO.		
			EC NO. J2002-1828 DRWN: S.AKIYAMA CHK: J.MIYAZAWA APPR: YO.IITO									WIRE RANGE 適用線径範囲	30 OVER 以上
				INS. RANGE 被覆外径	ANGLE 角度	±3°	CAD FILENAME 59588002.S01				THIS DRAWING CONTAINS INFORMATION THAT IS PROPRIETARY TO MOLEX INCORPORATED AND SHOULD NOT BE USED WITHOUT WRITTEN PERMISSION.		SIZE B