

**PLEASE CHECK WWW.MOLEX.COM FOR LATEST PART INFORMATION**

**Part Number:** **0334820403**  
**Status:** **Active**  
**Overview:** mx150 sealed connector system  
**Description:** 3.50mm (.138") Pitch MX150™ Sealed Male Connector, Dual Row, 4 Circuits, Polarization C, without Connector Position Assurance, Brown

**Documents:**

<a href="#">3D Model</a>	<a href="#">Product Specification PS-33472-000 (PDF)</a>
<a href="#">Application Specification (PDF)</a>	<a href="#">RoHS Certificate of Compliance (PDF)</a>
<a href="#">Drawing (PDF)</a>	



**General**

Product Family	Crimp Housings
Series	<u>33482</u>
Comments	No Connector Position Assurance (CPA)
More Detailed Tech Information	<a href="http://ewcap.uscarteams.org">http://ewcap.uscarteams.org</a>
Overview	<u>mx150 sealed connector system</u>
Product Name	MX150™

**Physical**

Circuits (maximum)	4
Circuits Detail	4
Color - Resin	Black, Brown, Natural
Gender	Male
Glow-Wire Compliant	No
Keying to Mating Part	Yes
Lock to Mating Part	Yes
Material - Resin	Modified Polystyrene Alloy
Number of Rows	2
Packaging Type	Bag
Panel Mount	No
Pitch - Mating Interface (in)	0.138 In
Pitch - Mating Interface (mm)	3.50 mm
Polarized to Mating Part	Yes
Stackable	No
Temperature Range - Operating	-40°C to +125°C

**Electrical**

Current - Maximum per Contact	22A
-------------------------------	-----

**Material Info**

**Reference - Drawing Numbers**

Application Specification	AS-33472-100
Packaging Specification	PK-31300-635
Product Specification	PS-33472-000
Sales Drawing	SD-33482-041

**EU RoHS**

**ELV and RoHS Compliant**  
**REACH SVHC Not Reviewed**  
**Halogen-Free Status Not Reviewed**

**China RoHS**



**Need more information on product environmental compliance?**

Email [productcompliance@molex.com](mailto:productcompliance@molex.com)  
 For a multiple part number RoHS Certificate of Compliance, [click here](#)

Please visit the [Contact Us](#) section for any non-product compliance questions.

**Search Parts in this Series**

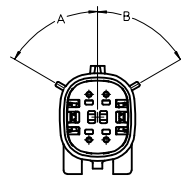
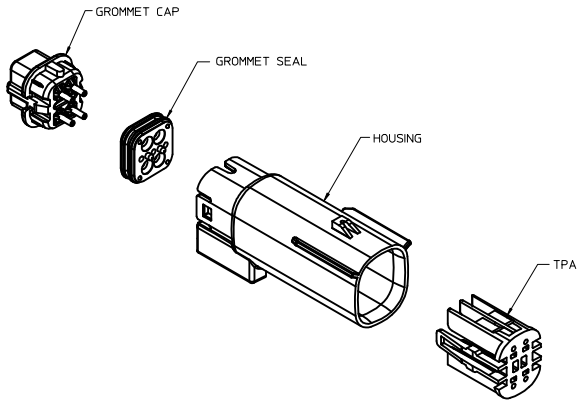
33482Series

**Mates With**

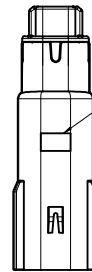
33472 Female Dual Row Sealed Connector

**Use With**

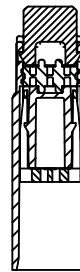
33000 MX150™ Tin (Sn) Male Terminal,  
33011 Gold (Au) Male Terminal



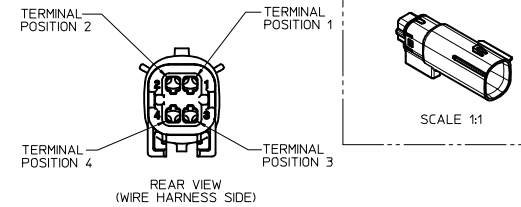
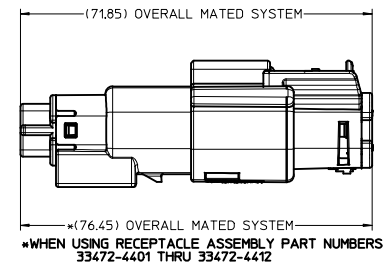
KEYING OPTION  
SEE TABLE  
SCALE 2:1



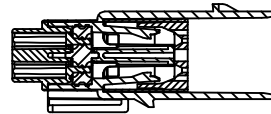
OPTIONAL TRACEABILITY  
INFORMATION LOCATED IN  
THIS AREA



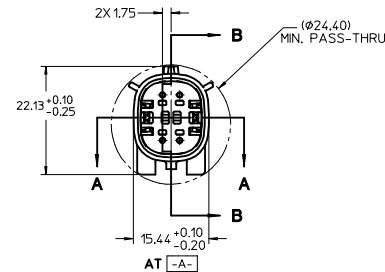
SECTION A-A



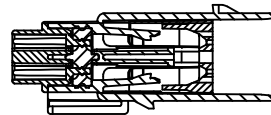
REAR VIEW  
(WIRE HARNESS SIDE)



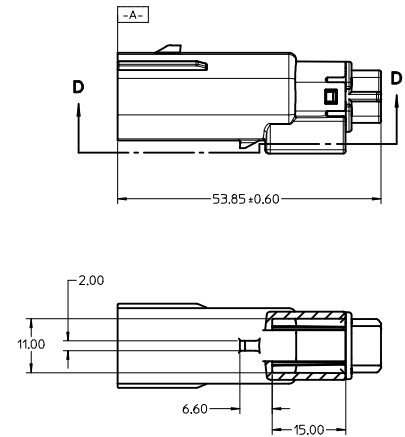
SECTION B-B  
(BLADE INSERT SHOWN IN FULL-LOCK POSITION)  
SEE NOTE 2



AT -A-



SECTION B-B  
(BLADE INSERT SHOWN IN PRE-LOCK POSITION)  
SEE NOTE 2



SECTION D-D

NOTES: UNLESS OTHERWISE SPECIFIED

- DESIGNED TO MATE WITH RECEPTACLE HOUSING ASSEMBLY SPECIFIED IN MOLEX CHARTED DRAWING SD-33472-041.
- ASSEMBLY SHIPPED WITH BLADE INSERT IN PRE-LOCK POSITION (SEE SECTION C-C PRE-LOCK). UPON FULL TERMINAL ASSEMBLY, EACH BLADE INSERT MUST BE SNAPPED INTO ITS FINAL-LOCK POSITION.
- FOR BLADE TERMINALS TO BE USED WITH THIS ASSEMBLY, SEE DRAWING SD-33000-001.
- SYSTEM TO BE USED WITH WIRE WITHIN DIAMETER RANGE OF 1.5mm TO 2.5mm.
- MATERIAL: SPS/NYLON BLEND, 20% GLASS FILLED.
- CHENGDU ASSEMBLIES SHALL CONFORM TO PACKAGING SPECIFICATION PK-31300-635
- SHALL CONFORM TO PRODUCT SPECIFICATION PS-33472-000.
- ASSEMBLY CONFORMS TO SAE/USCAR-2 REV 4 WITH THE FOLLOWING EXCEPTIONS: TERMINAL INSERTION FORCE FOR WIRE SIZE ABOVE 2.5mm NOT EXCEEDING 2.69mm SHALL NOT EXCEED 45 NEWTONS.
- REFER TO SHEET #2 FOR ALL PART NUMBER OPTIONS

<b>REDRAWN</b> IEC NO. UAU2010-0100 DRAWING REF ITHS 2009/08/06 CHKD SVRZYL 2009/08/06 APPR:VKOSHY 2009/08/12 REVISION DESCRIPTION	QUALITY SYMBOLS	GENERAL TOLERANCES (UNLESS SPECIFIED)	DIMENSION STYLE	SCALE	DESIGN UNITS	THIRD ANGLE PROJECTION
	▽=0 ▽=0	mm INCH 4 PLACES ± --- ± --- 3 PLACES ± --- ± --- 2 PLACES ± 0.10 ± --- 1 PLACE ± 0.3 ± --- ANGULAR ± 3 °	MM ONLY DRAWN BY DATE MYANSLAMBROU 04-27-06 CHECKED BY DATE DGRIFITHS 06-22-06 APPROVED BY DATE SMARCEAU 06-22-06	2:1	METRIC	M X 150 BLADE CONNECTOR ASSEMBLY 2 ROW SEALED 4 WAY
	DRAFT WHERE APPLICABLE MUST REMAIN WITHIN DIMENSIONS	MATERIAL NO. SEE TABLE	MOLEX INCORPORATED	DOCUMENT NO. SD-33482-041	SHEET NO. 1 OF 2	
		THIS DRAWING CONTAINS INFORMATION THAT IS PROPRIETARY TO MOLEX INCORPORATED AND SHOULD NOT BE USED WITHOUT WRITTEN PERMISSION				

ASSEMBLY PART NUMBER	COLOR	KEYING OPTION	DIMENSIONS (DEGREES)		CAVITY TYPE & STATUS (X = PLUGGED)				STATUS	COMMENTS
			A	B	1	2	3	4		
33482-0401	BLACK	A	60	60					SALEABLE	RECOMMENDED, TEMPERATURE CLASS 4 (-40°C TO 150°C)
33482-0402	LIGHT GRAY	B	40	60					SALEABLE	RECOMMENDED, TEMPERATURE CLASS 4 (-40°C TO 150°C)
33482-0403	BROWN	C	60	40					DESIGN CONCEPT	NOT RECOMMENDED, USE 33482-4403, SAME KEY IN DIFFERENT COLOR
33482-0404	GREEN	D	40	40					DESIGN CONCEPT	NOT RECOMMENDED, USE 33482-4404, SAME KEY IN DIFFERENT COLOR
33482-0406	BLACK	A	60	60			X		SALEABLE	RECOMMENDED, TEMPERATURE CLASS 4 (-40°C TO 150°C)
33482-0407	LIGHT GRAY	B	40	60			X		SALEABLE	RECOMMENDED, TEMPERATURE CLASS 4 (-40°C TO 150°C)
33482-0408	BROWN	C	60	40			X		DESIGN CONCEPT	NOT RECOMMENDED, USE 33482-4405, SAME KEY IN DIFFERENT COLOR
33482-0409	GREEN	D	40	40			X		DESIGN CONCEPT	NOT RECOMMENDED, USE 33482-4406, SAME KEY IN DIFFERENT COLOR
33482-0411	BLACK	A	60	60			X	X	SALEABLE	RECOMMENDED, TEMPERATURE CLASS 4 (-40°C TO 150°C)
33482-0412	LIGHT GRAY	B	40	60			X	X	SALEABLE	RECOMMENDED, TEMPERATURE CLASS 4 (-40°C TO 150°C)
33482-0413	BROWN	C	60	40			X	X	DESIGN CONCEPT	NOT RECOMMENDED, USE 33482-4407, SAME KEY IN DIFFERENT COLOR
33482-0414	GREEN	D	40	40			X	X	DESIGN CONCEPT	NOT RECOMMENDED, USE 33482-4408, SAME KEY IN DIFFERENT COLOR
33482-0416	BLACK	A	60	60	X	X	X	X	SALEABLE	RECOMMENDED, TEMPERATURE CLASS 4 (-40°C TO 150°C)
33482-0417	LIGHT GRAY	B	40	60	X	X	X	X	SALEABLE	RECOMMENDED, TEMPERATURE CLASS 4 (-40°C TO 150°C)
33482-0418	BROWN	C	60	40	X	X	X	X	DESIGN CONCEPT	NOT RECOMMENDED, USE 33482-4409, SAME KEY IN DIFFERENT COLOR
33482-0419	GREEN	D	40	40	X	X	X	X	DESIGN CONCEPT	NOT RECOMMENDED, USE 33482-4410, SAME KEY IN DIFFERENT COLOR
33482-0421	BLACK	A	60	60	X	X	X		SALEABLE	RECOMMENDED, TEMPERATURE CLASS 4 (-40°C TO 150°C)
33482-0422	BLACK	A	60	60				X	SALEABLE	RECOMMENDED, TEMPERATURE CLASS 4 (-40°C TO 150°C)
33482-0423	BLACK	A	60	60			X	X	SALEABLE	RECOMMENDED, TEMPERATURE CLASS 4 (-40°C TO 150°C)
33482-0424	BLACK	A	60	60				X	SALEABLE	RECOMMENDED, TEMPERATURE CLASS 4 (-40°C TO 150°C)
33482-0425	BLACK	A	60	60	X	X			SALEABLE	RECOMMENDED, TEMPERATURE CLASS 4 (-40°C TO 150°C)
33482-4403	DARK GRAY	C	60	40					SALEABLE	RECOMMENDED, TEMPERATURE CLASS 4 (-40°C TO 150°C)
33482-4404	STONE GRAY	D	40	40					SALEABLE	RECOMMENDED, TEMPERATURE CLASS 4 (-40°C TO 150°C)
33482-4405	DARK GRAY	C	60	40			X		SALEABLE	RECOMMENDED, TEMPERATURE CLASS 4 (-40°C TO 150°C)
33482-4406	STONE GRAY	D	40	40			X		SALEABLE	RECOMMENDED, TEMPERATURE CLASS 4 (-40°C TO 150°C)
33482-4407	DARK GRAY	C	60	40			X	X	SALEABLE	RECOMMENDED, TEMPERATURE CLASS 4 (-40°C TO 150°C)
33482-4408	STONE GRAY	D	40	40			X	X	SALEABLE	RECOMMENDED, TEMPERATURE CLASS 4 (-40°C TO 150°C)
33482-4409	DARK GRAY	C	60	40	X	X	X	X	SALEABLE	RECOMMENDED, TEMPERATURE CLASS 4 (-40°C TO 150°C)
33482-4410	STONE GRAY	D	40	40	X	X	X	X	SALEABLE	RECOMMENDED, TEMPERATURE CLASS 4 (-40°C TO 150°C)

<b>ENTER DESCRIPTION</b> IEC NO. UAU2010-0100 DRAWN BY MYANSLAMBROU CHECKED BY DGRIFITHS CHYKOSVERZYL APPR:VKOSHY 2009/08/06 2009/08/06 2009/08/12	QUALITY SYMBOLS	GENERAL TOLERANCES (UNLESS SPECIFIED)	DIMENSION STYLE	SCALE	DESIGN UNITS	THIRD ANGLE PROJECTION
	▽=0 ▽=0	mm INCH 4 PLACES ± --- ± --- 3 PLACES ± --- ± --- 2 PLACES ± 0.10 ± --- 1 PLACE ± 0.3 ± --- ANGULAR ± 3 °	MM ONLY DATE 04-27-06 DATE 06-22-06 DATE 06-22-06	2:1	METRIC	MX150 BLADE CONNECTOR ASSEMBLY 2 ROW SEALED 4 WAY MOLEX INCORPORATED
	DRAFT WHERE APPLICABLE MUST REMAIN WITHIN DIMENSIONS	SEE TABLE THIS DRAWING CONTAINS INFORMATION THAT IS PROPRIETARY TO MOLEX INCORPORATED AND SHOULD NOT BE USED WITHOUT WRITTEN PERMISSION	MATERIAL NO. SD-33482-041 DOCUMENT NO. 2 OF 2			