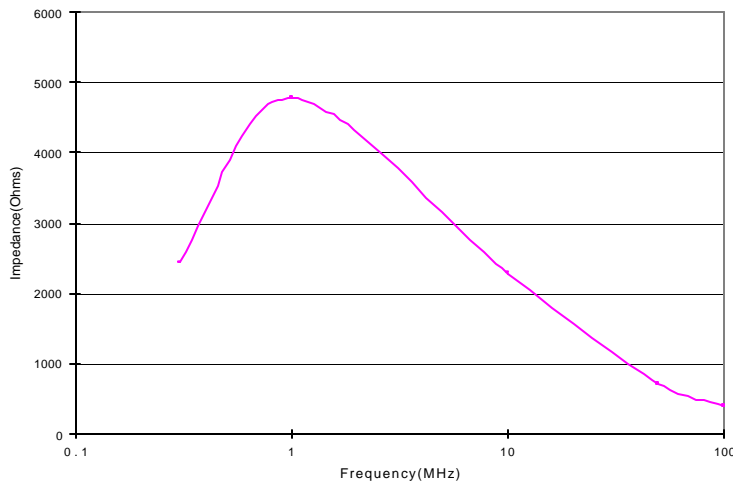
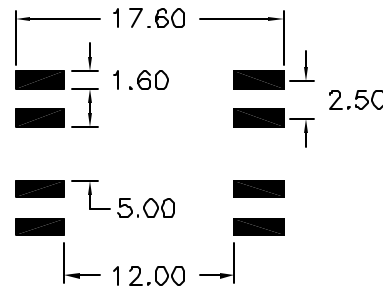
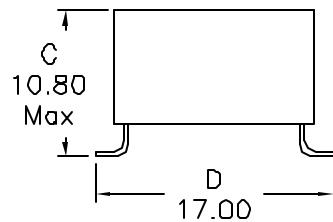
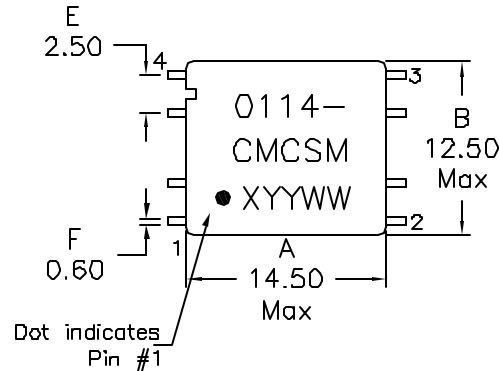
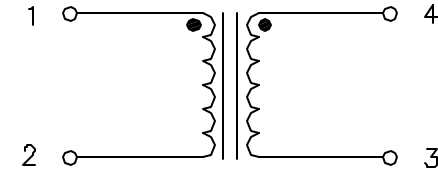


1. Mechanical Dimensions:



2. Schematic:



3. Electrical Specifications: @25°C

OCL: 1.1mH +50%/-30% @10KHz 0.1V, Each Wdg
 Q : 8 Min @10KHz 50mV
 DCR: 0.095 Ohms Max, Each Wdg
 Rated Current: 2A
 Turns Ratio: Pins (1-2):(4-3)=1:1±5%
 Isolation: 1500Vac, Wdg to Wdg, 2 Seconds

Notes:

1. Solderability: Leads shall meet MIL-STD-202G, Method 208H for solderability.
2. Flammability: UL94V-0
3. ASTM oxygen Index: > 28%
4. Insulation System: Class F 155°C. UL file E151556
5. Operating Temperature Range: All listed parameters are to be within tolerance from -40°C to +85°C
6. Storage Temperature Range: -55°C to +125°C
7. Aqueous wash compatible
8. SMD Lead Coplanarity: ±0.004" (0.102mm)
9. Electrical and mechanical specifications 100% tested
10. RoHS Compliant Component

DOC REV: A/6

PROPRIETARY Document is the property of XFMRs Group & is not allowed to be duplicated without authorization.

XFMRs Inc www.XFMRs.com	Title: CMC		
UNLESS OTHERWISE SPECIFIED TOLERANCES: .xx ±0.25 Dimensions in MM	P/N: XF0114-CMCSM	REV. A	
	DWN.	Mei Chen	Apr-29-10
SHEET 1 OF 1	CHK.	YK Liao	Apr-29-10
	APP.	Joe Huff	Apr-29-10