



Micro Commercial Components

Micro Commercial Components  
20736 Marilla Street Chatsworth  
CA 91311  
Phone: (818) 701-4933  
Fax: (818) 701-4939

## RA351GP THRU RA357GP

### Features

- Glass Passivated Chip
- Low Leakage, Low cost
- Low Forward Voltage Drop
- High Current Capability
- For Automotive Applications

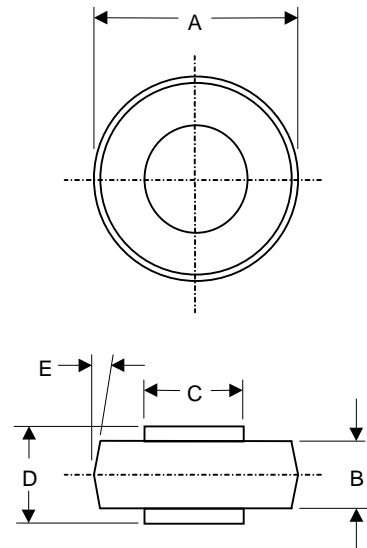
**35Amp Glass  
Passivated Rectifier  
50 to 1000 Volts**

### Maximum Ratings

- Operating Temperature: -55°C to +175°C
- Storage Temperature: -55°C to +175°C

MCC Catalog Number	Device Marking	Maximum Recurrent Peak Reverse Voltage	Maximum RMS Voltage	Maximum DC Blocking Voltage
RA351GP	---	50V	35V	50V
RA352GP	---	100V	70V	100V
RA353GP	---	200V	140V	200V
RA354GP	---	400V	280V	400V
RA355GP	---	600V	420V	600V
RA356GP	---	800V	560V	800V
RA357GP	---	1000V	700V	1000V

RA



### Electrical Characteristics @ 25°C Unless Otherwise Specified

Average Forward Current	$I_{F(AV)}$	35A	$T_A = 150^\circ\text{C}$
Peak Forward Surge Current	$I_{FSM}$	500A	8.3ms, half sine
Maximum Instantaneous Forward Voltage	$V_F$	1.0V	$I_{FM} = 35\text{A};$ $T_J = 25^\circ\text{C}^*$
Maximum DC Reverse Current At Rated DC Blocking Voltage	$I_R$	5.0 $\mu\text{A}$ 150 $\mu\text{A}$	$T_J = 25^\circ\text{C}$ $T_J = 100^\circ\text{C}$
Typical Junction Capacitance	$C_J$	100pF	Measured at 1.0MHz, $V_R=4.0\text{V}$

\*Pulse test: Pulse width 300  $\mu\text{sec}$ , Duty cycle 2%

DIM	DIMENSIONS				NOTE
	INCHES		MM		
A	.380	.410	9.70	10.40	
B	.165	.185	4.20	4.70	
C	.215	.220	5.50	5.70	
D	.234	.250	6.00	6.40	
E	---	5'	---	5'	

RA351GP thru RA357GP

Figure 1  
Typical Forward Characteristics

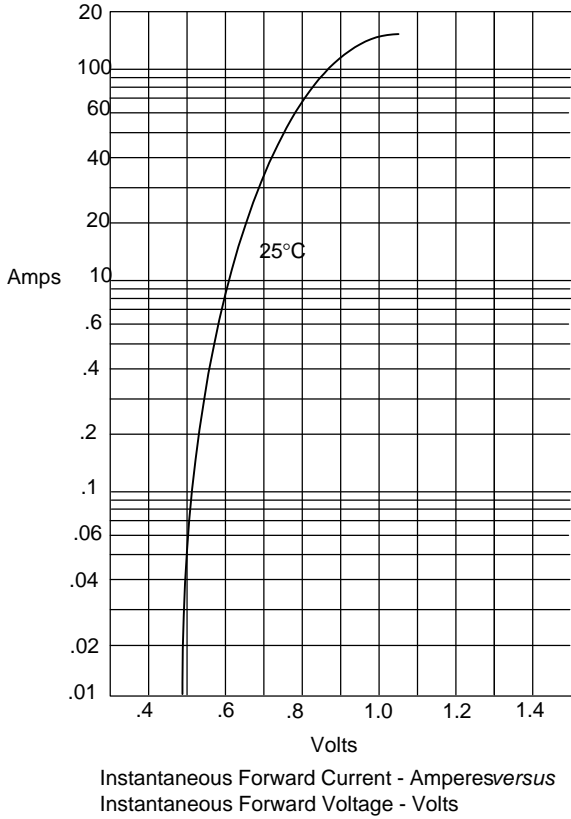


Figure 2  
Forward Derating Curve

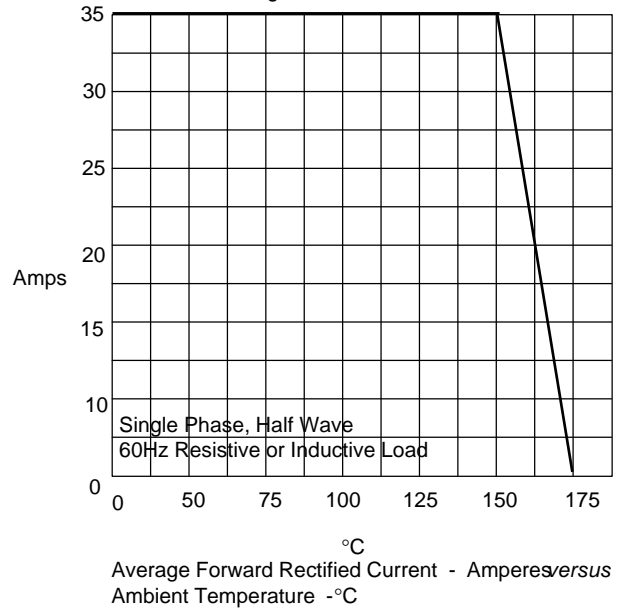


Figure 4  
Peak Forward Surge Current

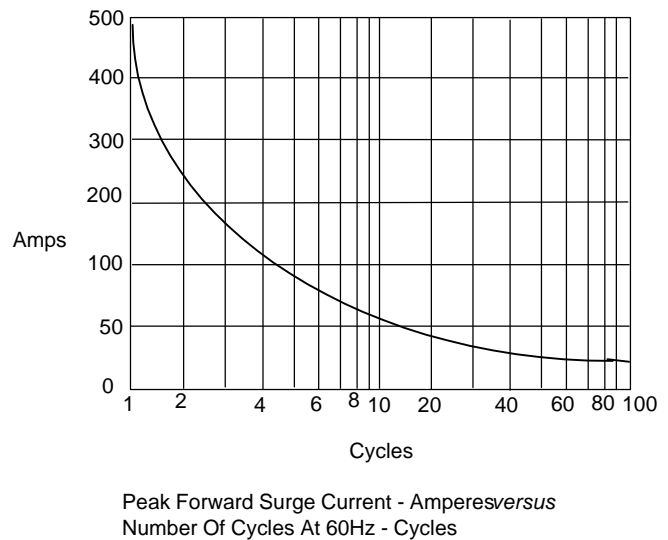


Figure 3  
Junction Capacitance

