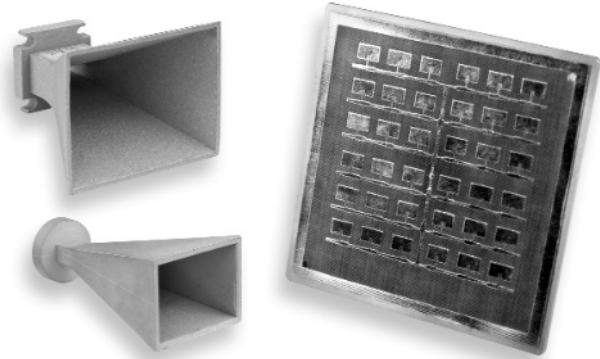


Features

- Low Cost
- Diecast Construction
- Waveguide Mounting
- Small Size

Applications

- Speed Radars
- Radar Decoys
- Intrusion Alarm Systems
- Door Openers
- Object Detection



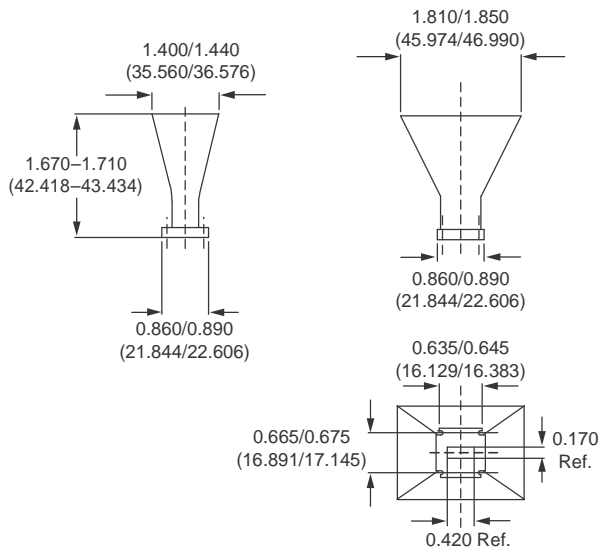
Description

These microwave antennas are designed for commercial applications as a low-cost method for transmitting microwave energy. These antennas utilize high-gain properties and shaped-beam patterns that are suitable for most applications.

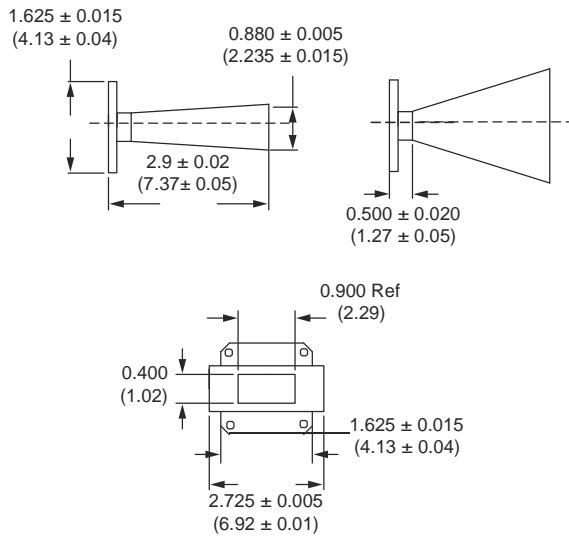
Specifications @ 25°C

Model Number	Description	Center Frequency (GHz)	Usable Frequency Range (GHz)	Nominal E-Plane Beamwidth (Deg.)	Nominal H-Plane Beamwidth (Deg.)	Nominal Gain (dB)
<i>X Band Antennas</i>						
MDT86554	Pyramidal Horn Ant.	10.525	8–12	70	30	12
<i>K Band Antennas</i>						
MDT86552	Pyramidal Horn Ant.	24.150	18.0–26.5	20	30	17
MDT5864	Planar Array Ant.	24.125	24.00–24.25	14	14	18
MDT6386 ¹	Pyramidal Horn Ant.	24.150	18.0–26.5	17	29	18
<i>V Band Antennas</i>						
MHA4200	Pyramidal Horn Ant.	77.000	76–78	20	15	20

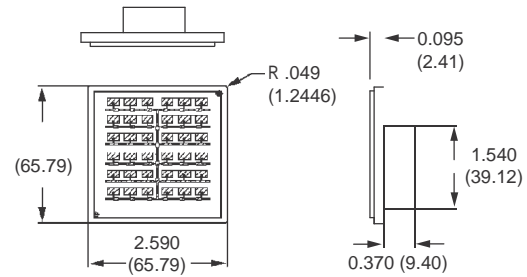
1. With integrated harmonic filter.

MO86552


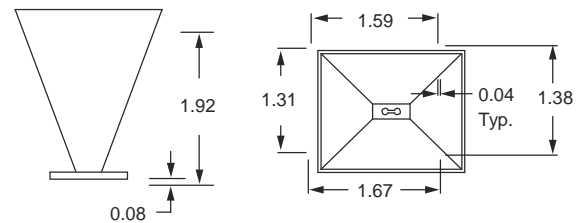
Dimensions are in inches (mm).

MDT86554


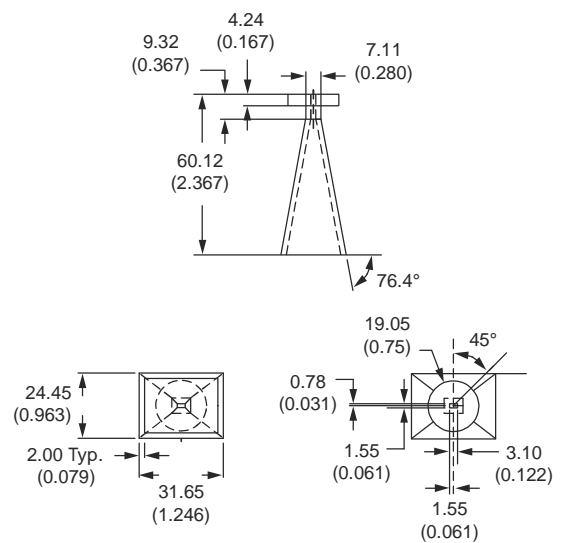
Dimensions are in inches (mm).

MO5864


Dimensions are in inches (mm).

MDT6386


Dimensions are in inches.

MHA4200


Dimensions are in inches (mm).