

Gas Discharge Tube: GQF Series

SMD 3-Electrodes $\Phi 5 \times 7.2$ mm Symmetrical Type



■ Features

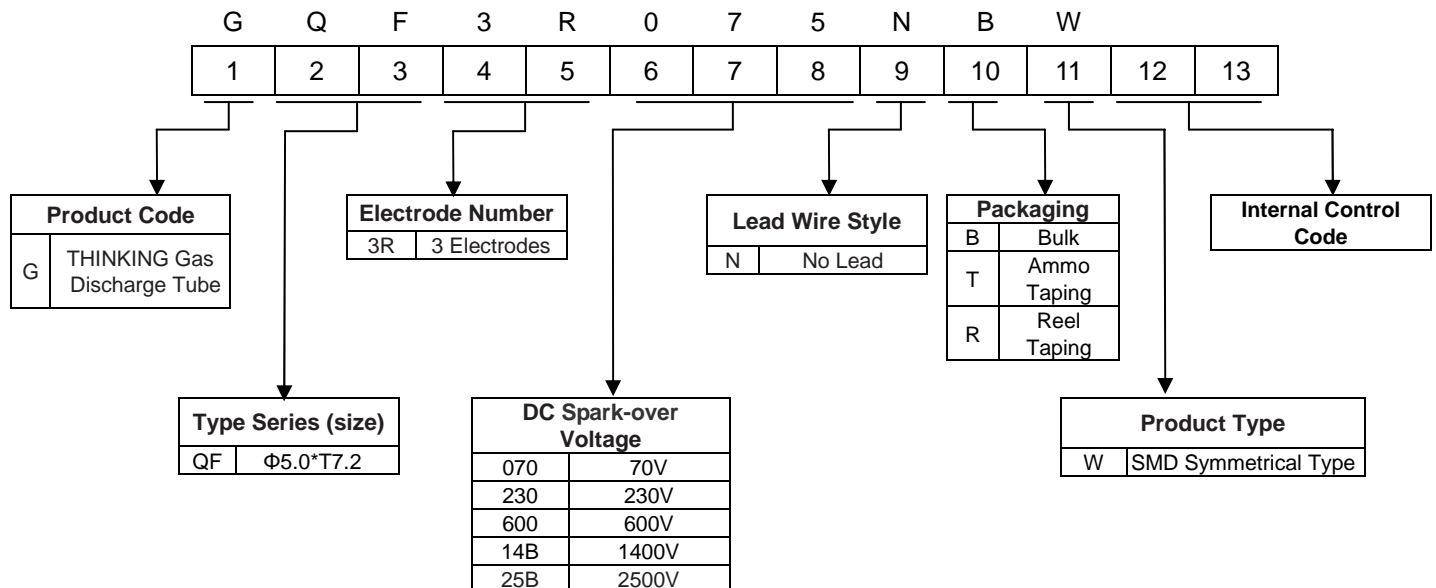
1. RoHS compliant
2. Rugged ceramic-metal construction
3. DC spark-over voltage: 230~1100V
4. Low capacitance
5. Agency recognition: UL/cUL



■ Recommended Applications

1. Data transmission lines
2. Communication lines
3. CATV system
4. Power distribution system
5. Power supplier
6. Test equipment
7. Instrumentation circuits

■ Part Number Code



Gas Discharge Tube: GQF Series

SMD 3-Electrodes $\Phi 5 \times 7.2$ mm Symmetrical Type



Characteristics

Type	Max. DC Spark-over Voltage	Max. Impulse Breakdown Voltage		Impulse Discharge Current (8/20 μ s)		Impulse Discharge Life (10/1000 μ s)	Nom. AC Discharge Current		DC Holdover Voltage	Minimum Insulation Resistance	Maximum Capacitance (1MHz)	Safety approvals	
	(100V/S)	100V/ μ s	1KV/ μ s	1 Time	10 Times	200A	50Hz, 1S	SINGLE 9 CYCLES	<150ms				
	(V)	(V)	(V)	(KA)		Times	(A)		(V)			(G Ω)	(pF)
GQF3R230NRW	230 \pm 20%	600	700	10	5	300	5	20	135	1	2		√
GQF3R250NRW	250 \pm 20%	600	700	10	5		5	20	135			√	
GQF3R350NRW	350 \pm 20%	650	750	10	5		5	20	135			√	
GQF3R400NRW	400 \pm 20%	700	800	10	5		5	20	135			√	
GQF3R420NRW	420 \pm 20%	700	800	10	5		5	20	135			√	
GQF3R470NRW	470 \pm 20%	800	900	10	5		5	20	135			√	
GQF3R600NRW	600 \pm 20%	900	1000	10	5		5	20	135			√	
GQF3R800NRW	800 \pm 20%	1150	1400	10	5		5	20	135			√	
GQF3R11BNRW	1100 \pm 20%	1450	1750	10	5		5	20	135			√	

Note 1: UL / 497B → File No. E245070 , UL / 1449 3rd → File No. E314979

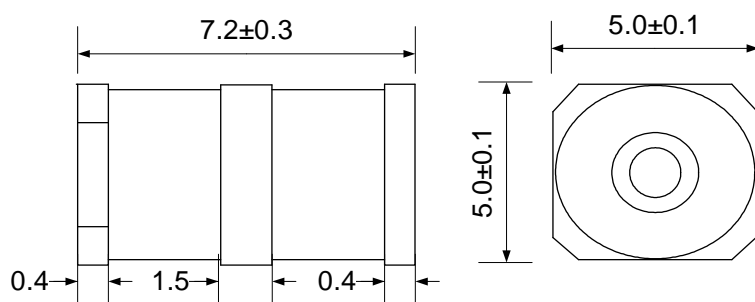
Note 2: Insulation resistance test conditions:

DC Breakdown Voltage	DC Measuring Voltage
145-400V	100V
420-800V	250V
1000-2000V	500V

Note 3: DC Breakdown Voltage @ 100V/ μ s for L1 / IL2 to ground and L1 to L2

Note 4: Impulse Breakdown Voltage @ 100V/ μ s and 1000V/ μ s for L1 / L2 to ground

Dimension

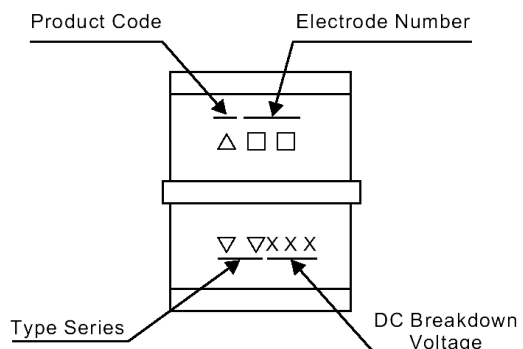


Gas Discharge Tube: GQF Series

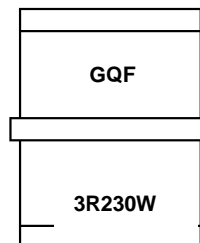
SMD 3-Electrodes $\Phi 5 \times 7.2$ mm Symmetrical Type



■ Marking

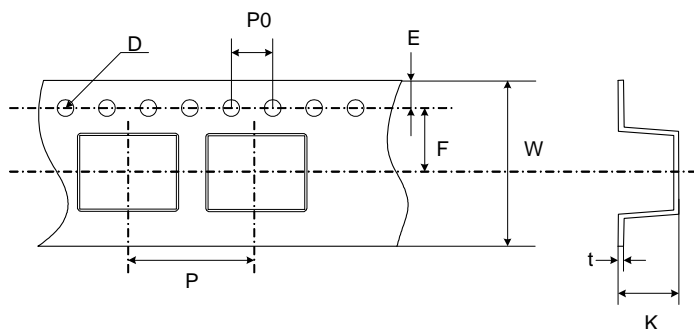


Example



■ Packaging

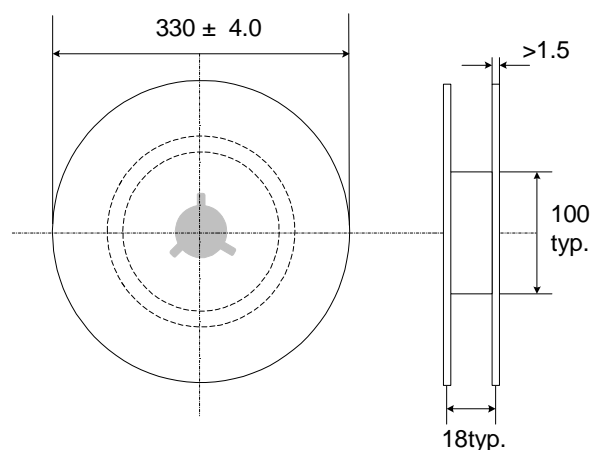
● Taping



Quantity : 900pcs per reel (13")

Unit: mm

ITEM	P	P0	W	F	E	D	K	t
Spec.	12.0	4.0	16.0	7.5	1.75	$\Phi 1.55$	5.5	0.5
Tol.	± 0.1	± 0.1	± 0.3	± 0.1	± 0.1	± 0.05	± 0.1	± 0.05



Gas Discharge Tube: GQF Series

SMD 3-Electrodes $\Phi 5 \times 7.2$ mm Symmetrical Type



■ Storage Conditions of GDT

(I) Storage conditions:

1. Storage Temperature: $-10^{\circ}\text{C} \sim +40^{\circ}\text{C}$.
2. Relative humidity: $\leq 75\% \text{RH}$.
3. Gas discharge tube must be kept away from sunlight and stored in a non-corrosive atmosphere.

(II) Shelf life: 1 year