

PLEASE CHECK WWW.MOLEX.COM FOR LATEST PART INFORMATION

Part Number: [0859993256](#)
Status: **Active**
Overview: [modular_plugs_jacks](#)
Description: Blind Plug Dust Cover for 6 Position Modular Jack

Documents:

[Drawing \(PDF\)](#) [RoHS Certificate of Compliance \(PDF\)](#)

General

Product Family	Accessories
Series	90075
Component Type	Dust Cover
Overview	modular_plugs_jacks
Product Name	RJ11

Physical

Circuits (Loaded)	6
Packaging Type	Bag
Temperature Range - Operating	-40°C to +80°C

Material Info

Reference - Drawing Numbers

Sales Drawing	SD-85999-056
---------------	--------------

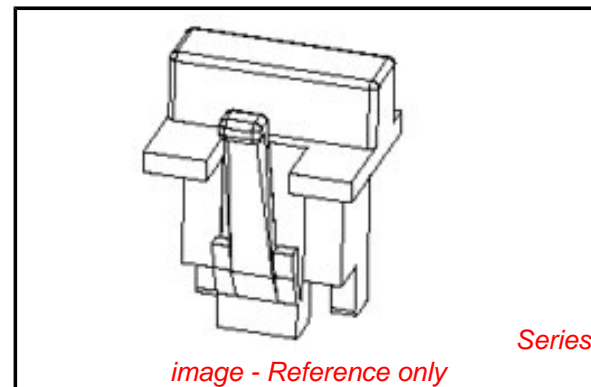


image - Reference only

EU RoHS

**ELV and RoHS
Compliant**
REACH SVHC
 Not Reviewed
Halogen-Free
Status
 Not Reviewed

China RoHS



**Need more information on product
environmental compliance?**

Email productcompliance@molex.com
 For a multiple part number RoHS Certificate of
 Compliance, [click here](#)

Please visit the [Contact Us](#) section for any
 non-product compliance questions.

Search Parts in this Series

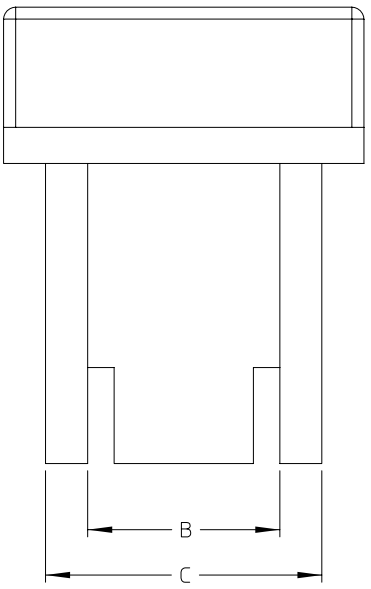
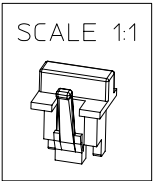
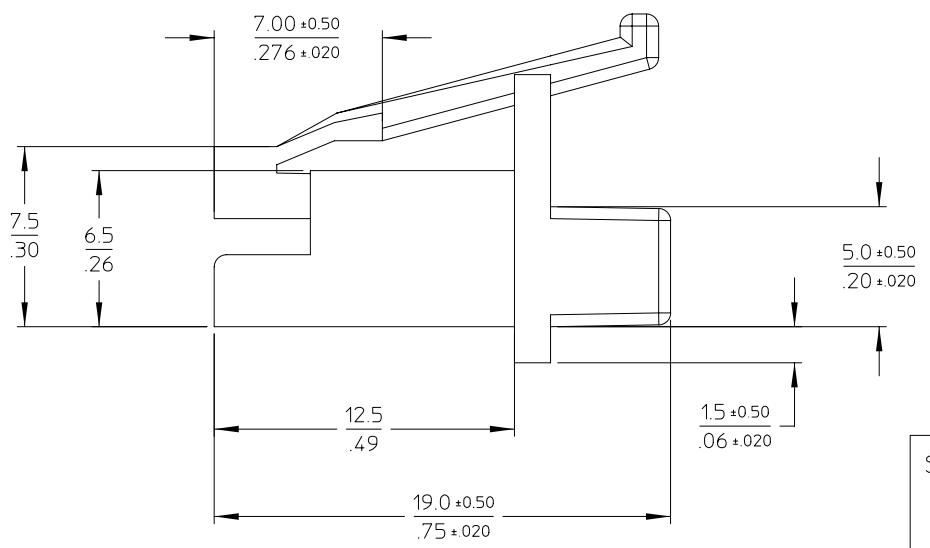
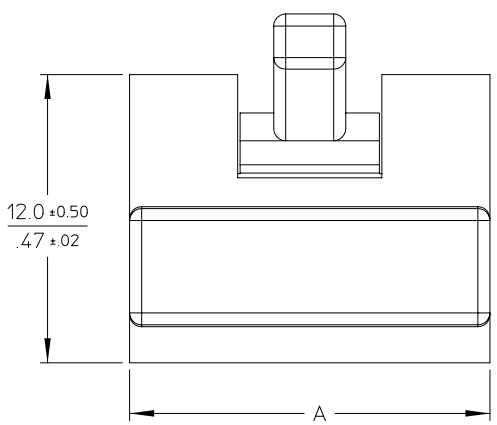
[90075Series](#)

Use With

6 Position Modular Jacks

10 9 8 7 6 5 4 3 2 1

F
E
D
C
B
A



NOTES:

- 1- MATERIAL: POLYCARBONATE MUST MEET UL 94 V1
- 2- COLOR: BLACK

CHART VERSION	MAT. NUMBER
8/8	85999-3255
6/6	85999-3256

DIM	VERSION	
	8/8	6/6
A	15.0±0.5 .59±.02	13.0±0.5 .51±.02
B	8.00 .315	6.00 .236
C	11.50 .453	9.60 .378

EC NO: M022002004788 DRWN: RKUBATIN 2002/04/09 CHKD: SFLIPON 2002/04/08 APPR: MHEIM 2002/04/08	QUALITY SYMBOLS	GENERAL TOLERANCES (UNLESS SPECIFIED)		SCALE 5:1	DESIGN UNITS METRIC	THIRD ANGLE PROJECTION	REVISE ON CAD ONLY	
	DESCRIPTION ▽ = 0 ∠ = 0		mm	INCH	DIMENSION STYLE MM/IN		TITLE BLIND PLUG 8/8, 6/6	
		4 PLACES	± ---	± ---	DRAWN BY JKEICHER	DATE 99/11/29	MOLEX INCORPORATED	
		3 PLACES	± ---	± .006	CHECKED BY MFASOLD	DATE 99/11/29		
2 PLACES	± 0.15	± .01	APPROVED BY FBORDRON	DATE 99/11/29	MATERIAL NO. SEE CHART	DOCUMENT NO. SD-85999-056	SHEET NO. 1 OF 1	
1 PLACE	± 0.25	± ---	ANGULAR ± .5 °		THIS DRAWING CONTAINS INFORMATION THAT IS PROPRIETARY TO MOLEX INCORPORATED AND SHOULD NOT BE USED WITHOUT WRITTEN PERMISSION			
DRAFT WHERE APPLICABLE MUST REMAIN WITHIN DIMENSIONS								

9 8 7 6 5 4 3 2 1