

**PLEASE CHECK WWW.MOLEX.COM FOR LATEST PART INFORMATION**

**Part Number:** [0548611970](#)  
**Status:** **Active**  
**Description:** 2.00mm (.079") Pitch HIC/LCD Pin Connector, Vertical, SMT, 19 Circuits, Lead Free

**Documents:**

[3D Model](#) [Product Specification PS-54861-005 \(PDF\)](#)  
[Drawing \(PDF\)](#) [RoHS Certificate of Compliance \(PDF\)](#)

**General**

Product Family	Other Sockets
Series	<a href="#">54861</a>
Component Type	Socket
Product Name	N/A

**Physical**

Circuits (Loaded)	19
Color - Resin	Natural
Durability (mating cycles max)	10
Entry Angle	Vertical
Keying to Mating Part	N/A
Material - Metal	Phosphor Bronze
Material - Plating Mating	Tin
Material - Plating Termination	Tin
PCB Locator	Yes
PCB Retention	Yes
Packaging Type	Embossed Tape on Reel
Pitch - Mating Interface (in)	0.079 In
Pitch - Mating Interface (mm)	2.00 mm
Temperature Range - Operating	-40°C to +105°C
Termination Interface: Style	Surface Mount

**Electrical**

Current - Maximum per Contact	1A
Voltage - Maximum	125V AC (RMS)/DC

**Material Info**

**Reference - Drawing Numbers**

Product Specification	PS-54861-005, RPS-54861-014
Sales Drawing	SD-54861-006, SD-54861-013

**EU RoHS**

**ELV and RoHS  
Compliant**

**REACH SVHC**

Not Reviewed

**Halogen-Free**

**Status**

**Not Reviewed**

**China RoHS**



**Need more information on product  
environmental compliance?**

Email [productcompliance@molex.com](mailto:productcompliance@molex.com)  
For a multiple part number RoHS Certificate of  
Compliance, [click here](#)

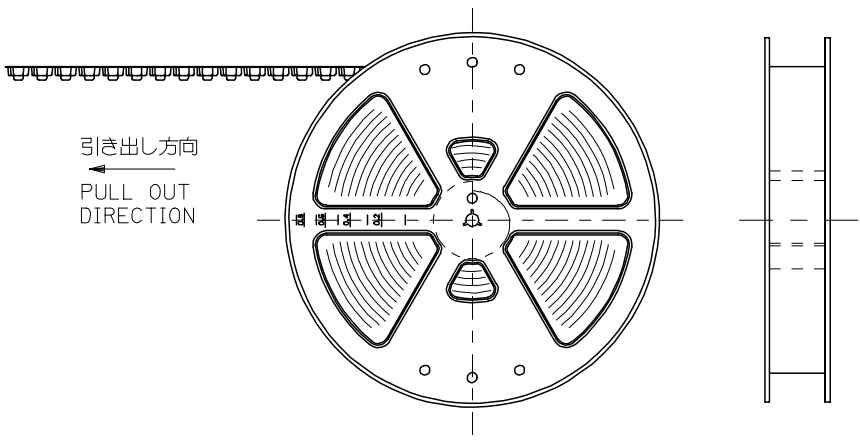
Please visit the [Contact Us](#) section for any  
non-product compliance questions.

**Search Parts in this Series**

[54861Series](#)

**Mates With**

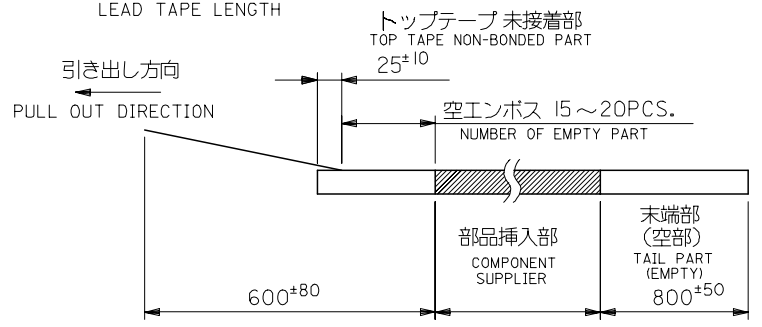
[LCD Pin|HIC Pin](#)



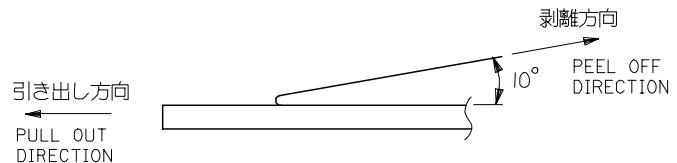
引き出し方向  
PULL OUT  
DIRECTION

注記  
NOTES

1. 梱包数量：1000個/リール  
NUMBER OF CONNECTORS : 1000PCS/REEL
2. リードテープ長さ  
LEAD TAPE LENGTH



3. トップテープの剥離強度：60 ± 35gf(剥離方向は下図参照)  
尚、本規格値は、出荷時に適用。(但し、輸送時に剥離が発生しないこと。)  
PEELING OFF FORCE OF TOP TAPE : 60 ± 35gf.  
(PEELING DIRECTION AS SHOWN IN FOLLOWING FIG.)  
THIS REQUIREMENT SHOULD BE APPLIED AT SHIPMENT.  
(PEELING OFF SHOULD NOT BE ALLOWED, DURING TRANSPORTATION.)



4. 材料 (MATERIAL)  
キャリアテープ：ポリスチレン (PS)  
CARRIER TAPE : POLYSTYRENE (PS)  
トップテープ：PET, PE, PEF  
TOP TAPE : PET, PE, PEF  
リール：ポリスチレン  
REEL : POLYSTYRENE

REVISED EC NO: J2007-2110 DRWNG:SHIBATA 2007/03/12 CHKD:TAITO 2007/03/12 APPR:KANESHIGE 2007/03/14	GENERAL TOLERANCES (UNLESS SPECIFIED)		DIMENSION STYLE MM ONLY		SCALE ---	DESIGN UNITS METRIC	THIRD ANGLE PROJECTION	
	10 UNDER	±0.2	DRAWN BY H. TAMURA	DATE 2000/10/04	TITLE 2.0 HIC/LCD CONN. EMBOSSSED TAPE PACKAGE			
	10 <sup>0</sup> OVER 30 UNDER	±0.25	CHECKED BY M. SAKANO	DATE 2000/10/04	MOLEX MOLEX INCORPORATED			
	30 <sup>0</sup> OVER	±0.3	APPROVED BY T. KODAMA	DATE 2000/10/04	MATERIAL NO.		DOCUMENT NO. SD-54861-006	SHEET NO. 1 OF 3
	ANGULAR	±3 °	DRAFT WHERE APPLICABLE MUST REMAIN WITHIN DIMENSIONS		SEE CHART			

10 9 8 7 6 5 4 3 2 1

F

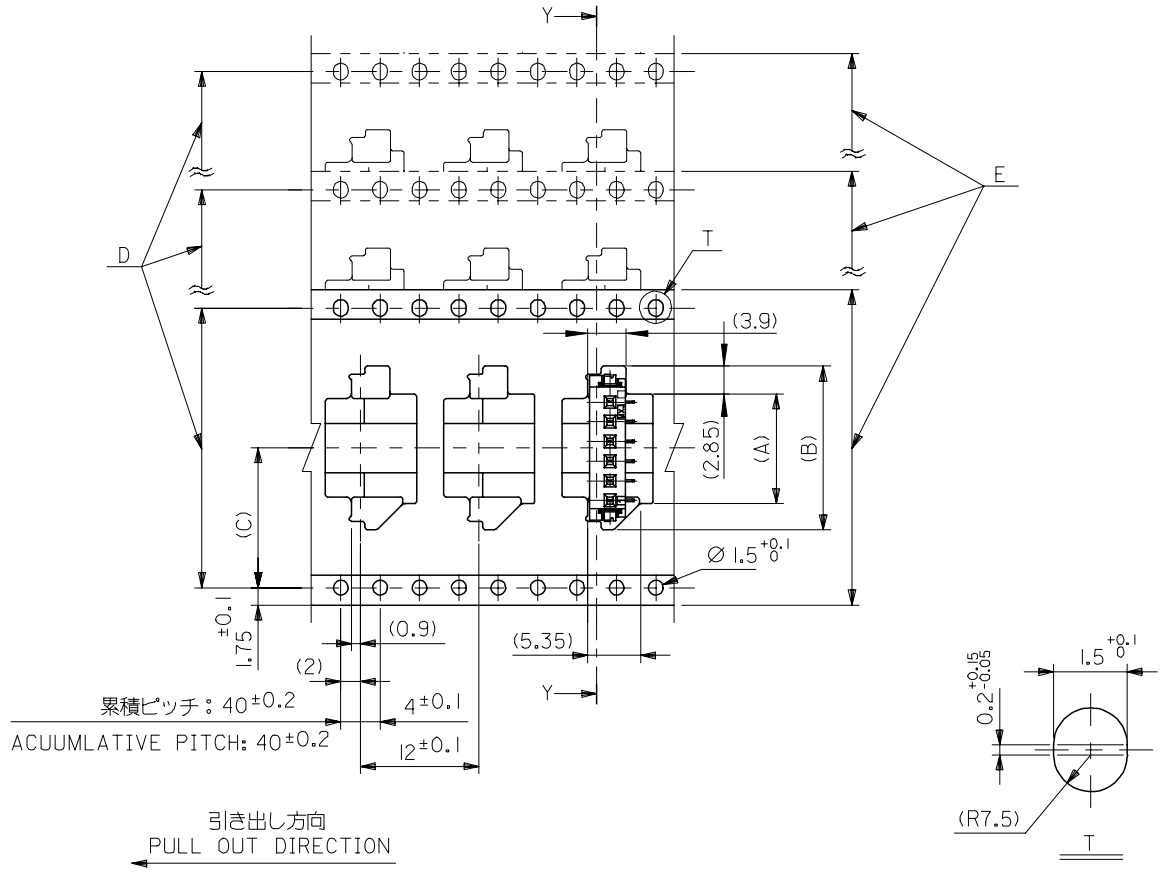
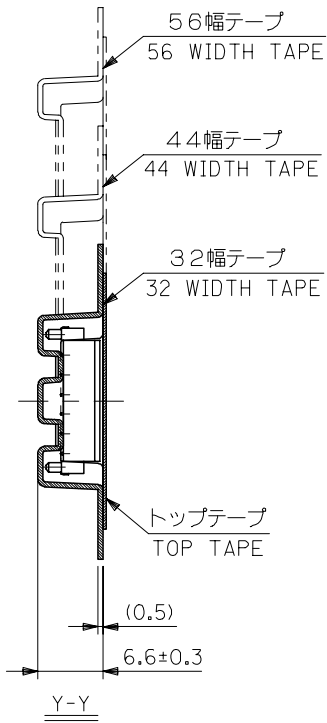
E

D

C

B

A



REVISED EC NO: J2007-2110 DRW: SHIBATA 2007/03/12 CHKD: TAITO 2007/03/12 APPR: KANESHIGE 2007/03/14 G	GENERAL TOLERANCES (UNLESS SPECIFIED)		DIMENSION STYLE MM ONLY		SCALE 2:1	DESIGN UNITS METRIC	THIRD ANGLE PROJECTION	
	10 UNDER	±0.2	DRAWN BY H. TAMURA	DATE 2000/10/04	TITLE 2.0 HIC/LCD CONN. EMBOSSSED TAPE PACKAGE			
	10 OVER 30 UNDER	±0.25	CHECKED BY M. SAKANO	DATE 2000/10/04				
	30 OVER	±0.3	APPROVED BY T. KODAMA	DATE 2000/10/04	MOLEX INCORPORATED			
	ANGULAR	±3 °	MATERIAL NO.					
DRAFT WHERE APPLICABLE MUST REMAIN WITHIN DIMENSIONS		SEE CHART		THIS DRAWING CONTAINS INFORMATION THAT IS PROPRIETARY TO MOLEX INCORPORATED AND SHOULD NOT BE USED WITHOUT WRITTEN PERMISSION				

10 9 8 7 6 5 4 3 2 1

F

E

D

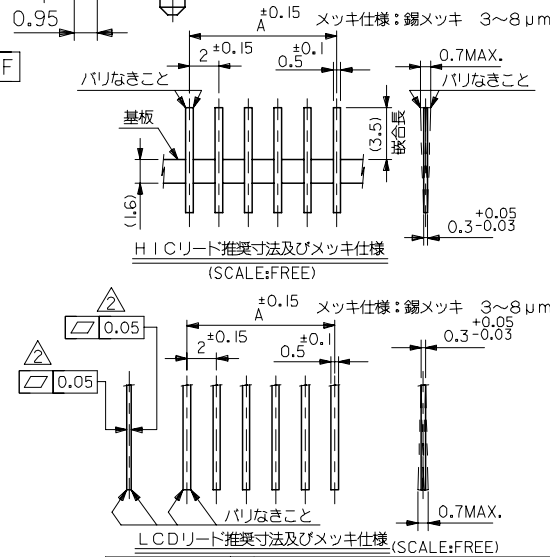
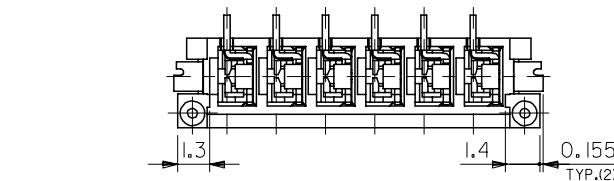
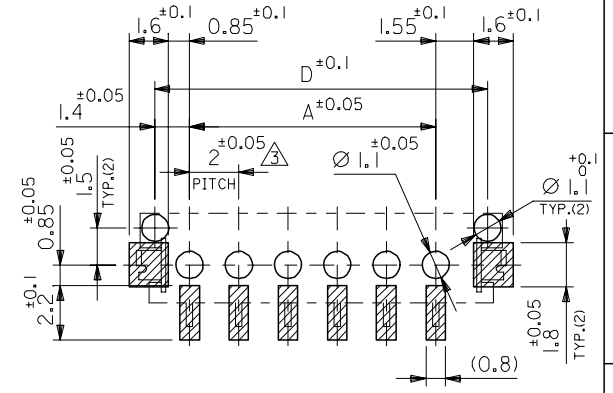
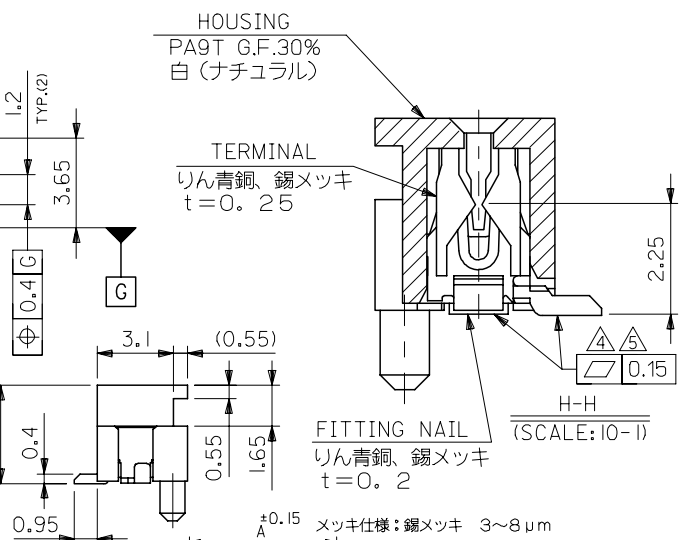
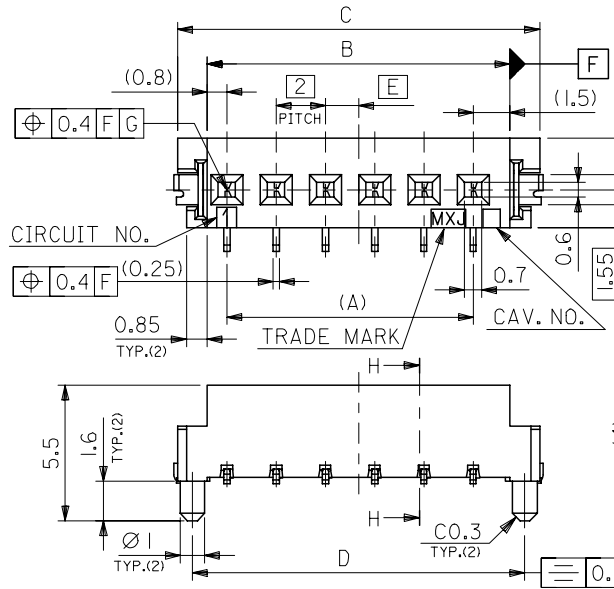
C

B

A

無鉛 LEAD FREE	56.4	56	52.4	26.2	44.6	39.3	54861-2070	20	○
					42.6	37.3	54861-1970	19	○
					40.6	35.3	54861-1870	18	—
					38.6	33.3	54861-1770	17	○
					36.6	31.3	54861-1670	16	○
					34.6	29.3	54861-1570	15	○
	44.4	44	40.4	20.2	32.6	27.3	54861-1470	14	○
					30.6	25.3	54861-1370	13	—
					28.6	23.3	54861-1270	12	○
					26.6	21.3	54861-1170	11	—
					24.6	19.3	54861-1070	10	○
					22.6	17.3	54861-0970	09	—
	32.4	32	28.4	14.2	20.6	15.3	54861-0870	08	○
					18.6	13.3	54861-0770	07	—
					16.6	11.3	54861-0670	06	○
有鉛 LEADED	56.4	56	52.4	26.2	44.6	39.3	54861-2090	20	○
					42.6	37.3	54861-1990	19	—
					40.6	35.3	54861-1890	18	—
					38.6	33.3	54861-1790	17	—
					36.6	31.3	54861-1690	16	○
					34.6	29.3	54861-1590	15	—
	44.4	44	40.4	20.2	32.6	27.3	54861-1490	14	—
					30.6	25.3	54861-1390	13	—
					28.6	23.3	54861-1290	12	○
					26.6	21.3	54861-1190	11	—
					24.6	19.3	54861-1090	10	○
					22.6	17.3	54861-0990	09	—
	32.4	32	28.4	14.2	20.6	15.3	54861-0890	08	○
					18.6	13.3	54861-0790	07	—
					16.6	11.3	54861-0690	06	○
F	E キャリアテープ幅 CARRIER TAPE WIDTH		D	(C)	(B)	(A)	製品番号 MATERIAL NO.	極数 CIRCUITS	量産対応 AVAILABLE

REVISED EC NO: J2007-2110 DRW: SHIBATA 2007/03/12 CHKD: TAITO 2007/03/12 APPR: KANEHIGE 2007/03/14 G REV	GENERAL TOLERANCES (UNLESS SPECIFIED)		DIMENSION STYLE MM ONLY		SCALE ---	DESIGN UNITS METRIC	THIRD ANGLE PROJECTION	
	10 UNDER	± 0.2	DRAWN BY H. TAMURA		DATE 2000/10/04	TITLE 2.0 HIC/LCD CONN. EMBOSSSED TAPE PACKAGE		
	10 OVER 30 UNDER	± 0.25	CHECKED BY M. SAKANO		DATE 2000/10/04	MOLEX INCORPORATED		
	30 OVER	± 0.3	APPROVED BY T. KODAMA		DATE 2000/10/04	DOCUMENT NO. SD-54861-006		
	ANGULAR	± 3 °	MATERIAL NO.		SEE CHART		SHEET NO. 3 OF 3	
DRAFT WHERE APPLICABLE MUST REMAIN WITHIN DIMENSIONS			SIZE A3	THIS DRAWING CONTAINS INFORMATION THAT IS PROPRIETARY TO MOLEX INCORPORATED AND SHOULD NOT BE USED WITHOUT WRITTEN PERMISSION				



1.35	41.5	42.7	40.3	38	54861-2019	20
0.35	39.5	40.7	38.3	36	54861-1919	19
1.35	37.5	38.7	36.3	34	54861-1819	18
0.35	35.5	36.7	34.3	32	54861-1719	17
1.35	33.5	34.7	32.3	30	54861-1619	16
0.35	31.5	32.7	30.3	28	54861-1519	15
1.35	29.5	30.7	28.3	26	54861-1419	14
0.35	27.5	28.7	26.3	24	54861-1319	13
1.35	25.5	26.7	24.3	22	54861-1219	12
0.35	23.5	24.7	22.3	20	54861-1119	11
1.35	21.5	22.7	20.3	18	54861-1019	10
0.35	19.5	20.7	18.3	16	54861-0919	9
1.35	17.5	18.7	16.3	14	54861-0819	8
0.35	15.5	16.7	14.3	12	54861-0719	7
1.35	13.5	14.7	12.3	10	54861-0619	6
E	D	C	B	A	MATERIAL NO.	CKT.

MODEL NO. 54861-**19		DIMENSION STYLE MM ONLY		SCALE 5:1	DESIGN UNITS METRIC	THIRD ANGLE PROJECTION	
RELEASED	EC NO: J2006-3834	DRWN: SHIBATA	DATE: 2006/06/20	DRAWN BY DATE SHSHIBATA 2006/6/20		TITLE 2.0 HIC/LCD CONN. HOUSING ASSY -LEAD FREE-	
REV	0	CHKD: TAITO	DATE: 2006/06/20	CHECKED BY DATE TAITO 2006/6/20		APPROVED BY DATE AKANESHIGE 2006/6/20	
GENERAL TOLERANCES (UNLESS SPECIFIED)		DRAFT WHERE APPLICABLE MUST REMAIN WITHIN DIMENSIONS		MATERIAL NO. SEE CHART		DOCUMENT NO. SD-54861-013	SHEET NO. 1 OF 1
10 UNDER ±0.2		ANGULAR ±3 °		MATERIAL NO. SEE CHART		MATERIAL NO. SEE CHART	
10 OVER 30 UNDER ±0.25		DRAFT WHERE APPLICABLE MUST REMAIN WITHIN DIMENSIONS		MATERIAL NO. SEE CHART		MATERIAL NO. SEE CHART	
30 OVER ±0.3		DRAFT WHERE APPLICABLE MUST REMAIN WITHIN DIMENSIONS		MATERIAL NO. SEE CHART		MATERIAL NO. SEE CHART	

注記  
NOTES

- 嵌合相手: HICリード、LCDリード (0.3X0.5)  
MATE WITH :HIC LEAD, LCD LEAD(0.3X0.5)
- LCDリードの反りは0.05MAX.  
CAMBER OF LCD LEAD 0.05MAX.
- 公差非累積のこと。  
NON-ACCUMULATIVE.
- 水平面上に置いて各シルダーテールと各フィッティングネイル間で維持すること。  
TO MAINTAIN AT EVERY SOLDER TAIL AND FITTING NAIL.
- リフロー後のシルダーテールとフィッティングネイルの平坦度は 0.15 MAX. とする。  
TAIL AND NAIL COPLANARITY AFTER REFLOW TO BE 0.15 MAX.