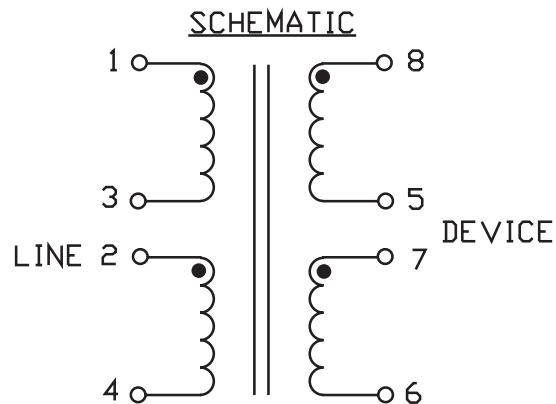


ADSL over ISDN CO MAGNETICS

S560-6600-MD

ELECTRICAL CHARACTERISTICS (@25°C)



LONGITUDINAL BALANCE: 20kHz - 2.2MHz	50 dB MIN
INSERTION LOSS: 150kHz - 300kHz	0.40 dB MAX
INSERTION LOSS: 1 MHz	0.76 dB MAX
INSERTION LOSS: 2 MHz	1.50 dB MAX
DC Unbalance Current:	2mA MAX
TOTAL HARMONIC DISTORTION 50kHz, 5Vrms @ 150kHz	-80 dB MAX

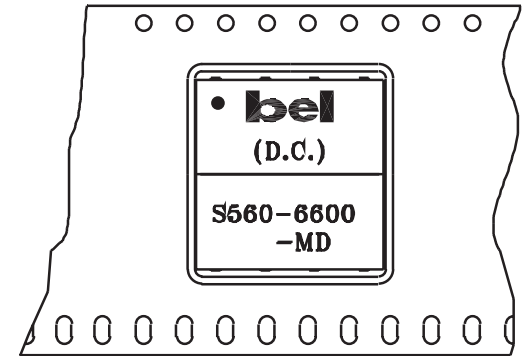
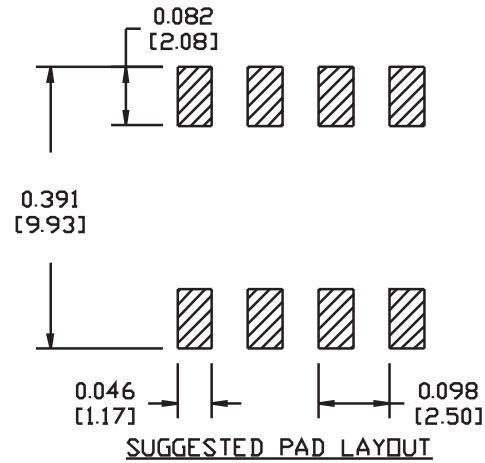
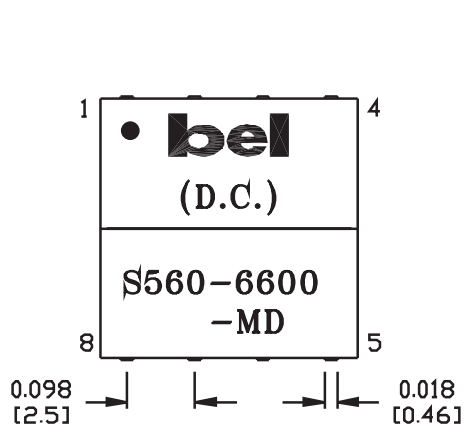
DESIGNED TO MEET UL60950, IEC60950 AND EN60950 WITH BASIC INSULATION REQUIREMENTS FOR A WORKING VOLTAGE OF 250VAC.

NOMINAL TURNS RATIO: (1-4) : (8-6) CONNECT PINS 2 TO 3 & 5 TO 7	0.9 : 1
DC RESISTANCE: (1-4) (8-6) CONNECT PINS 2 TO 3 & 5 TO 7	1.5 Ω MAX 1.5 Ω MAX
INDUCTANCE @ 10 kHz, 0.1 Vrms: (1-4) CONNECT PINS 2 TO 3	99 μH ±5%
LEAKAGE INDUCTANCE: (1-4) CONNECT PINS 2 TO 3 & 5 TO 7 SHORT PINS 5, 6, 7, & 8	6 μH MIN - 10 μH MAX
INTERWINDING CAPACITANCE @100kHz BETWEEN (1-4) & (8-6) CONNECT PINS 2 TO 3 & 5 TO 7	40 pF MAX
PARALLEL CAPACITANCE @1MHz (8-6) CONNECT TERMINALS 5 TO 7	40 pF MAX
DIELECTRIC RATING (1 MINUTE, 500μA MAX LEAKAGE CURRENT): BETWEEN PINS 1 & 2 BETWEEN (1-4) & (8-6) CONNECT TERMINALS 2 TO 3 & 5 TO 7	600 VAC 1500 VAC
OPERATING TEMPERATURE RANGE:	-40°C TO +85°C

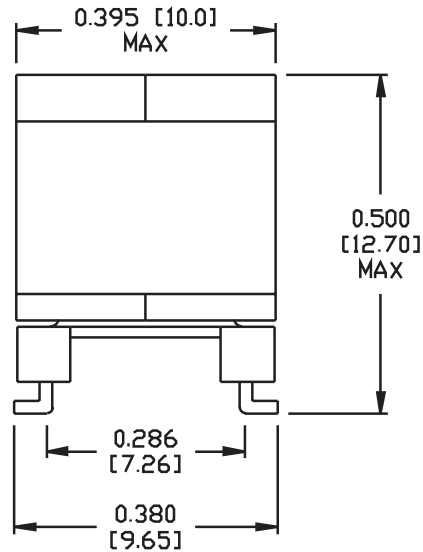
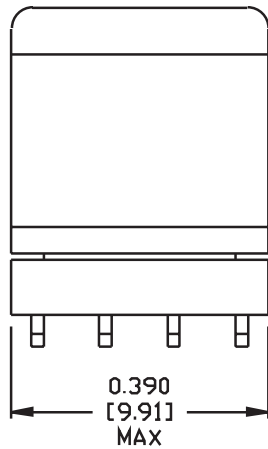


ADSL over ISDN CO MAGNETICS

S560-6600-MD



➔ USER FEED DIRECTION



ORIENTATION OF COMPONENT INSIDE POCKET

TAPE WIDTH	24MM
POCKET PITCH	20MM
QUANTITY OF COMPONENTS PER REEL	200
PLASTIC REEL OUTER DIAMETER	13 INCHES
PLASTIC REEL HUB DIAMETER	4 INCHES