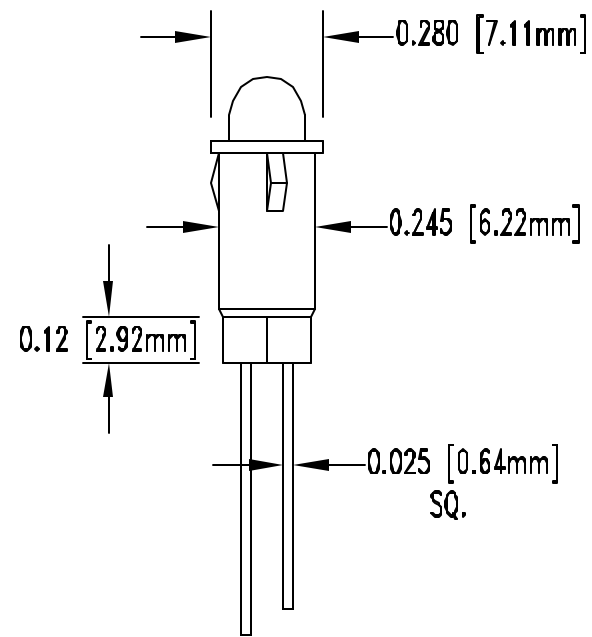
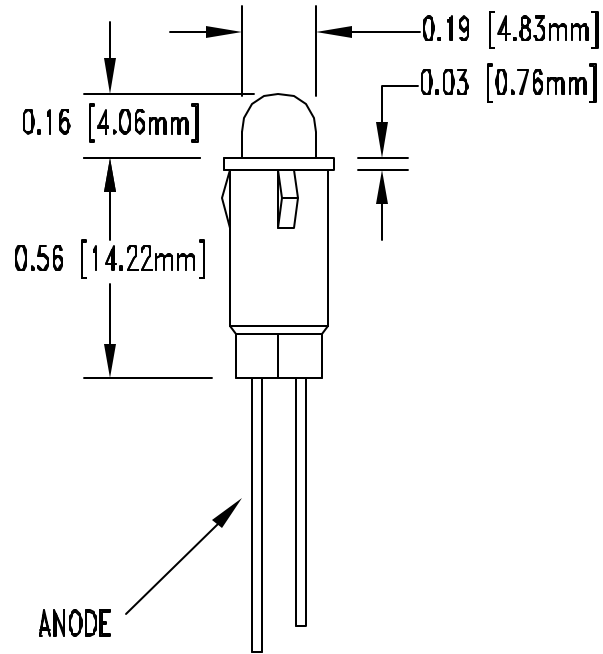


RECOMMENDED MOUNTING HOLE DIA.



REV	DESCRIPTION	DATE	APPROVED
B	Corrected dimension, LED Protrusion	09/28/05	M.C.

PART NO.	Chip		LENS APPEARANCE	Absolute Maximum Ratings Ta = 25 C				Electro-Optical Data IF = 20mA			Viewing Angle (deg)
	EMITTED COLOR	PEAK WAVE λ P (nm)		Δλ (nm)	pd (mW)	If (mA)	Peak If (mA)	Vf(V) Type Max.		Iv Typ. (mcd)	
5BC	RED	700	WHITE DIFFUSED	90	40	15	50	2.2	2.6	8.0	50.0
	GREEN	568		30	16	7	7	1.7	2.2	3.6	40.0

ABSOLUTE MAXIMUM RATINGS (Ta=25° C)

REVERSE VOLTAGE _____ 5V
 REVERSE CURRENT _____ 100uA
 OPERATING TEMPERATURE RANGE _____ -40° C - 80° C
 STORAGE TEMPERATURE _____ -40° C - 100° C
 LEAD SOLDERING TEMPERATURE(1/16" FROM BODY) _____ 260° C FOR 5 SECONDS

UNLESS OTHERWISE SPECIFIED:
 DIMENSIONS ARE IN INCHES
 TOLERANCES

DECIMALS	ANGULAR
.X ± .015	± 1°
.XX ± .010	
.XXX ± .005	
.XXXX ± .001	

Bivar®
 4 THOMAS, IRVINE, CA 92618
 TEL: (949) 951-9808 FAX: (949) 951-3974

PART NAME: T-13/4 (3mm) PANEL MOUNT

DESIGNER SHANE IRVING	DATE 7/31/00	SIZE A	DWG NAME	DWG NO.	REV B
CHECKER ANTHONY VILGIATE	DATE 7/31/00	SCALE 2=1	CAGE CODE 32559	SHEET 1 OF 1	