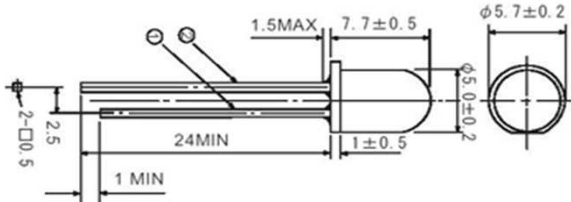


## Product Data Sheet

### LED Lamp UV

### MT5375-UV-HP

Radiation	Type	Case
Ultra violet	resin mold packaged	5mm plastic lens

Description:	
	Dimension in mm High power, high-speed, narrow beam angle, high reliability

### Maximum Ratings

$T_{amb} = 25^{\circ}\text{C}$ , unless otherwise specified

Parameter	Test Conditions	Symbol	Value	Unit
Forward Current		$I_F$	25	mA
Peak forward current	(d. c. < 1/10, p. width < 0.1msec)	$I_{FM}$	100	mA
Reverse voltage	$I_R = 100 \mu\text{A}$	$I_R$	85	mA
Power dissipation		$P_D$	100	mW
Operating temp. range		$T_{amb}$	-30 to +80	$^{\circ}\text{C}$
Storage temp. range		$T_{stg}$	-30 to +85	$^{\circ}\text{C}$
Lead soldering temp.	< 5s, 3mm from case	$T_{slg}$	260	$^{\circ}\text{C}$

### Optical and Electrical Characteristics

$T_{amb} = 25^{\circ}\text{C}$ , unless otherwise specified

Parameter	Symbol	Conditions	Min	typ	max	Unit
Forward voltage	$V_F$	$I_F = 20\text{mA}$	3.0	3.6	4.2	V
Radiant Power	$\Phi_e$	$I_F = 20\text{mA}$		26		mW
Peak wavelength	$\lambda_p$	$I_F = 20\text{mA}$	375		380	nm
Viewing angle	$\varphi$	$I_F = 20\text{mA}$		40		deg.
Spectral bandwidth at 50%	$\Delta\lambda_{0.5}$	$I_F = 20\text{mA}$		15		nm