



LOW-COST, CONNECTIVITY  
FPGA DESIGN PLATFORM

## SPARTAN-6 FPGA SP605 EVALUATION KIT

### ➤ Accelerated Development

- Fewer resources under tighter deadlines, new standards, and shifting requirements make for a challenging design environment
- Market expectations for higher performance and more intelligent features require new approaches to developing electronic systems
- Today's systems call for advanced memories, connectivity, digital signal, and embedded processing, all working together

### ➤ Simpler and Smarter Methodologies

- Xilinx Targeted Design Platforms enable software and hardware designers alike to leverage open standards, common design methodologies, development tools, and run-time platforms
- Design teams can spend less time developing the infrastructure of an application and more time building differentiating features into the end application
- Targeted Design Platforms from Xilinx and its network of third parties provide system designers with simpler and smarter methodologies for creating FPGA-based system-on-chip solutions

### Accelerate your Designs – Right Out of the Box

The Spartan<sup>®</sup>-6 FPGA SP605 Evaluation Kit conveniently delivers all the basic components of the Xilinx Base Targeted Design Platform for developing broadcast, wireless communications, automotive, and other cost- and power-sensitive applications that require transceiver capabilities in one package. Along with the development board, cables, and documentation, the new kit provides an integration of hardware, software, IP, and pre-verified reference designs so development can begin right out of the box.

### Value-added Productivity

With everything you need in one package, the Spartan-6 FPGA SP605 Evaluation Kit provides value-added productivity gains that you can't get from à la carte development system assemblies. Functional infrastructure that already looks like your basic architecture makes you more productive as you ramp up a new design, enabling quicker time-to-innovation for differentiating your products versus your competition. Multiple design examples provide insight and a kick-start on how to implement system IP to optimize your unique application.

### Integrated, Easy-to-Use Solutions

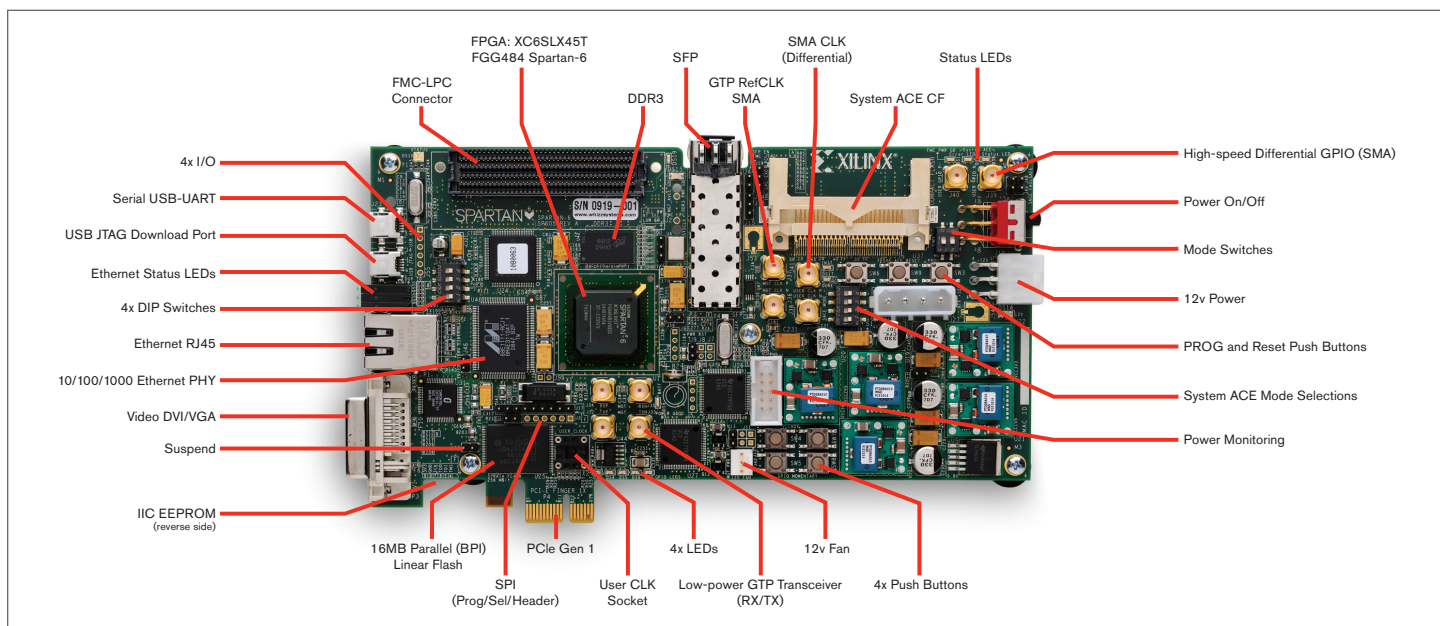
The Spartan-6 FPGA SP605 Evaluation Kit provides a flexible environment for higher-level system design including applications which need to implement features such as high-speed serial transceivers, PCI Express<sup>®</sup>, DVI, and/or DDR3. The SP605 development board includes an industry-standard FMC (FPGA Mezzanine Card) connector for scaling and customization to specific applications and markets. The integration of Xilinx development tools help streamline the creation of systems that adhere to complex requirements.

For more information, support, documents and reference designs, or to purchase, please visit [www.xilinx.com/sp605](http://www.xilinx.com/sp605)

## What's Inside the SP605 Evaluation Kit

- SP605 Base Board with the XC6LX45T-FGG484-3 CES FPGA
- ISE® Design Suite Logic Edition: (device-locked) for Spartan-6 LX45T FPGA
  - Includes ChipScope™ Pro and the ChipScope Pro Serial I/O Toolkit
  - Includes PlanAhead™ Design Analysis Tool
  - Timing Driven Place and Route, SmartGuide™, and SmartXplorer Technology
- Documentation
  - Hardware Setup Guide
  - Getting Started Guide
  - Hardware User Guide
  - Reference Designs User Guide
- Schematics and PCB files
- Universal 12V power supply
- Cables: 2 USB, 1 Ethernet, 1 DVI-VGA adapter
- Reference Designs and Demos
  - Board Diagnostic Demo
  - Base System Reference Design featuring DSP48, Ethernet, Memory, and Serial Transceiver integration
  - Multiboot Reference Design, featuring fail-safe configuration
  - Hardened Memory Controller Reference Design
- Reference designs, demos, documentation, and applications delivered on USB FLASH drive to get started quickly

## BOARD FEATURES



## Take the NEXT STEP

For more information, support, documents, and reference designs, or to purchase, please visit [www.xilinx.com/sp605](http://www.xilinx.com/sp605)  
**Part Number: EK-S6-SP605-G**

### Corporate Headquarters

Xilinx, Inc.  
 2100 Logic Drive  
 San Jose, CA 95124  
 USA  
 Tel: 408-559-7778  
[www.xilinx.com](http://www.xilinx.com)

### Europe

Xilinx Europe  
 One Logic Drive  
 Citywest Business Campus  
 Saggart, County Dublin  
 Ireland  
 Tel: +353-1-464-0311  
[www.xilinx.com](http://www.xilinx.com)

### Japan

Xilinx K.K.  
 Art Village Osaki Central Tower 4F  
 1-2-2 Osaki, Shinagawa-ku  
 Tokyo 141-0032 Japan  
 Tel: +81-3-6744-7777  
[japan.xilinx.com](http://japan.xilinx.com)

### Asia Pacific Pte. Ltd.

Xilinx, Asia Pacific  
 5 Changi Business Park  
 Singapore 486040  
 Tel: +65-6407-3000  
[www.xilinx.com](http://www.xilinx.com)

