

PLEASE CHECK WWW.MOLEX.COM FOR LATEST PART INFORMATION

Part Number: [0945509206](#)
Status: **Active**
Overview: [rast 5 connector system](#)
Description: 5.00mm (.197") Pitch, Rast 5, PA Polyamide (Nylon) 6/6, UL 94V-2, 6 Circuits, Natural, with Sec. Locking and External Latch

Documents:

[3D Model](#) [RoHS Certificate of Compliance \(PDF\)](#)
[Drawing \(PDF\)](#)

Agency Certification

UL E29179

General

Product Family Crimp Housings
 Series [94550](#)
 Overview [rast 5 connector system](#)
 Product Name RAST 5

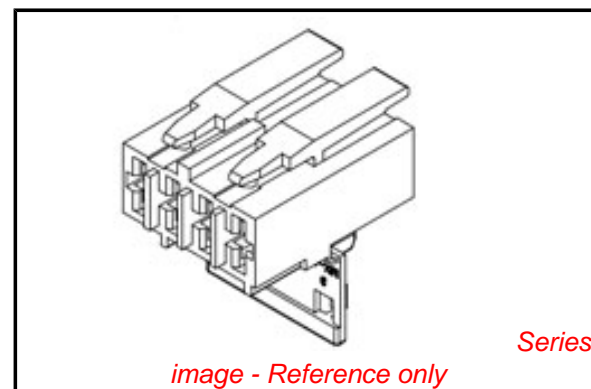
Physical

Breakaway No
 Circuits (maximum) 6
 Color - Resin Natural
 Flammability 94V-0
 Gender Female
 Glow-Wire Compliant No
 Lock to Mating Part Yes
 Material - Resin Nylon
 Number of Rows 1
 Packaging Type Bag
 Panel Mount No
 Pitch - Mating Interface (in) 0.197 In
 Pitch - Mating Interface (mm) 5.00 mm
 Pitch - Term. Interface (in) 0.197 In
 Pitch - Term. Interface (mm) 5.00 mm
 Polarized to Mating Part Yes
 Ports 1
 Stackable No
 Temperature Range - Operating -40°C to +85°C

Material Info

Reference - Drawing Numbers

Sales Drawing SD-94550-028
 Test Summary TS-94550-002



EU RoHS

**ELV and RoHS
 Compliant
 REACH SVHC
 Not Reviewed
 Halogen-Free
 Status
 Not Reviewed**

China RoHS



**Need more information on product
 environmental compliance?**

Email productcompliance@molex.com
 For a multiple part number RoHS Certificate of
 Compliance, [click here](#)

Please visit the [Contact Us](#) section for any
 non-product compliance questions.

Search Parts in this Series

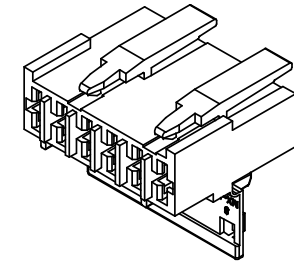
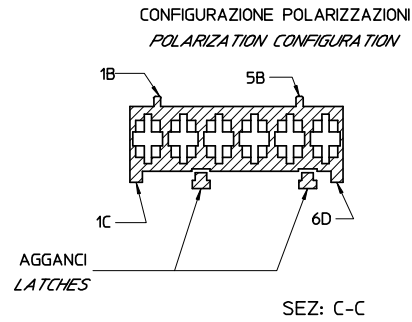
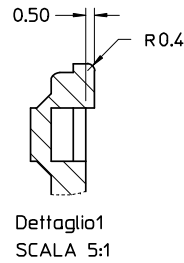
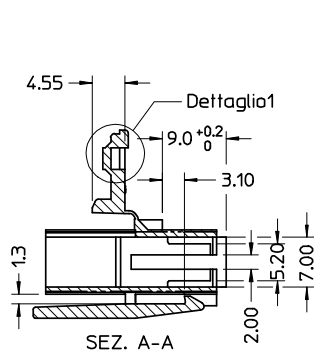
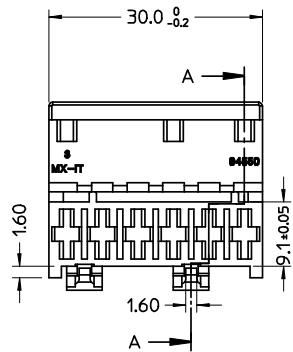
[94550Series](#)

Mates With

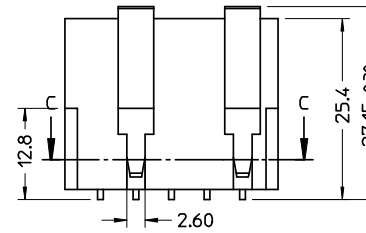
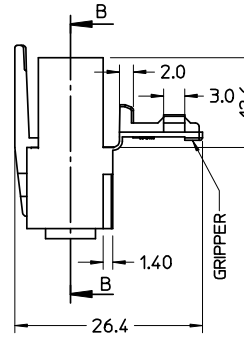
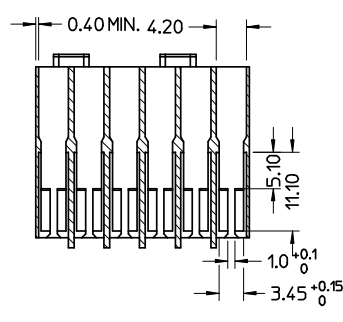
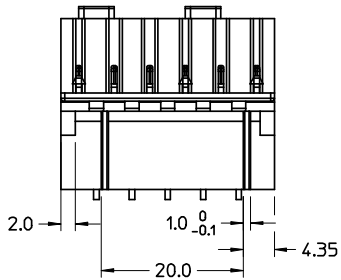
Rast 5 Headers, [90858](#) Vertical Header,
[90879](#) Right Angle Header

Use With

[94518](#) Crimp Terminal, [94549](#) Crimp
 Terminal



- NOTE:
- USATO CON TERMINALE 94518-0XXX E 94549-0XXX
 - SPECIFICA DI RIFERIMENTO PER IL CONNETTORE PS-94550-001
 - PER CARATTERISTICHE DI CRIMPATURA RIF. SD-94518-005 E SD-94549-001
 - FORZA DI DISACCOPIAMENTO CONNETTORE (TRAZIONANDO DAI CAVI SENZA AZIONARE L'AGGANCI): 60 N MIN.
 - SPESSORE MINIMO PARETI CONNETTORE 0.40 mm.

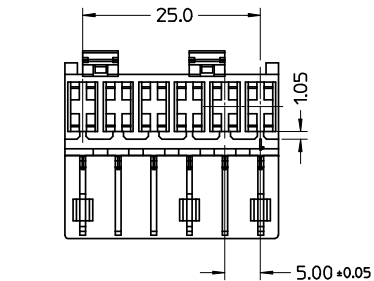


- NOTE:
- USED WITH TERMINALS 94518-0XXX AND 94549-0XXX
 - REFER TO PS-94550-001 FOR CONNECTOR SPECIFICATION
 - REFER TO SD-94518-005 AND SD-94549-001 FOR CRIMPING CHARACTERISTICS
 - CONNECTOR DISENGAGEMENT FORCE (PULLING BY THE WIRES, WITHOUT ACTUATING THE LATCH): 60 N MIN.
 - MINIMUM CONNECTOR WALL THICKNESS 0.40 mm.

MATERIALE: NYLON 6.6 VO colore naturale
 MATERIAL: NYLON 6.6 VO natural

CONFEZIONE: Box da 1100 Pz.
 PACKAGING: 1100 pcs in carton box

AGENCY
 RECOGNIZATIONS
 CSA (file LR19980)
 UL (file E-29179)



SPQ =1100

Std. Descr: 'HSG W/SEC LOCK AND EXT LATCHES 6 CKT _____ COLOR'

EC NO: Z2006-0049 DRWN:FGOTTARD005/10/07 CHKD:RSANDANO005/10/07 APPR:GZUIN 2005/10/07	DESCRIPTION REV	QUALITY SYMBOLS	GENERAL TOLERANCES (UNLESS SPECIFIED)	SCALE 2:1	DESIGN UNITS METRIC	FIRST ANGLE PROJECTION	REVISE ON CAD ONLY																		
		$\nabla = 0$ $\nabla \square = 0$	<table border="1"> <tr> <th></th> <th>mm</th> <th>INCH</th> </tr> <tr> <td>4 PLACES</td> <td>± ---</td> <td>± ---</td> </tr> <tr> <td>3 PLACES</td> <td>± ---</td> <td>± ---</td> </tr> <tr> <td>2 PLACES</td> <td>± 0.10</td> <td>± ---</td> </tr> <tr> <td>1 PLACE</td> <td>± 0.2</td> <td>± ---</td> </tr> </table>		mm	INCH	4 PLACES	± ---	± ---	3 PLACES	± ---	± ---	2 PLACES	± 0.10	± ---	1 PLACE	± 0.2	± ---	DIMENSION STYLE MM ONLY	TITLE	HSG 6 CKT WITH SEC.LOCK AND EXTERNAL LATCH				
			mm	INCH																					
		4 PLACES	± ---	± ---																					
3 PLACES	± ---	± ---																							
2 PLACES	± 0.10	± ---																							
1 PLACE	± 0.2	± ---																							
DRAFT WHERE APPLICABLE	<table border="1"> <tr> <td>APPROVED BY</td> <td>DATE</td> </tr> <tr> <td>GZUIN</td> <td>2005/08/25</td> </tr> </table>	APPROVED BY	DATE	GZUIN	2005/08/25	<table border="1"> <tr> <td>CHECKED BY</td> <td>DATE</td> </tr> <tr> <td>RSANDANO</td> <td>2005/08/25</td> </tr> </table>	CHECKED BY	DATE	RSANDANO	2005/08/25	<table border="1"> <tr> <td>DRAWN BY</td> <td>DATE</td> </tr> <tr> <td>FGOTTARD</td> <td>2005/08/25</td> </tr> </table>	DRAWN BY	DATE	FGOTTARD	2005/08/25	<table border="1"> <tr> <td colspan="2">MATERIAL NO.</td> <td>DOCUMENT NO.</td> <td>SHEET NO.</td> </tr> <tr> <td colspan="2">94550-9206</td> <td>SD-94550-028</td> <td>1 OF 1</td> </tr> </table>		MATERIAL NO.		DOCUMENT NO.	SHEET NO.	94550-9206		SD-94550-028	1 OF 1
APPROVED BY	DATE																								
GZUIN	2005/08/25																								
CHECKED BY	DATE																								
RSANDANO	2005/08/25																								
DRAWN BY	DATE																								
FGOTTARD	2005/08/25																								
MATERIAL NO.		DOCUMENT NO.	SHEET NO.																						
94550-9206		SD-94550-028	1 OF 1																						
MUST REMAIN WITHIN DIMENSIONS		THIS DRAWING CONTAINS INFORMATION THAT IS PROPRIETARY TO MOLEX INCORPORATED AND SHOULD NOT BE USED WITHOUT WRITTEN PERMISSION																							