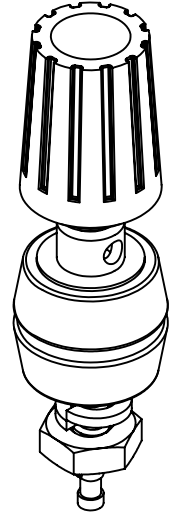
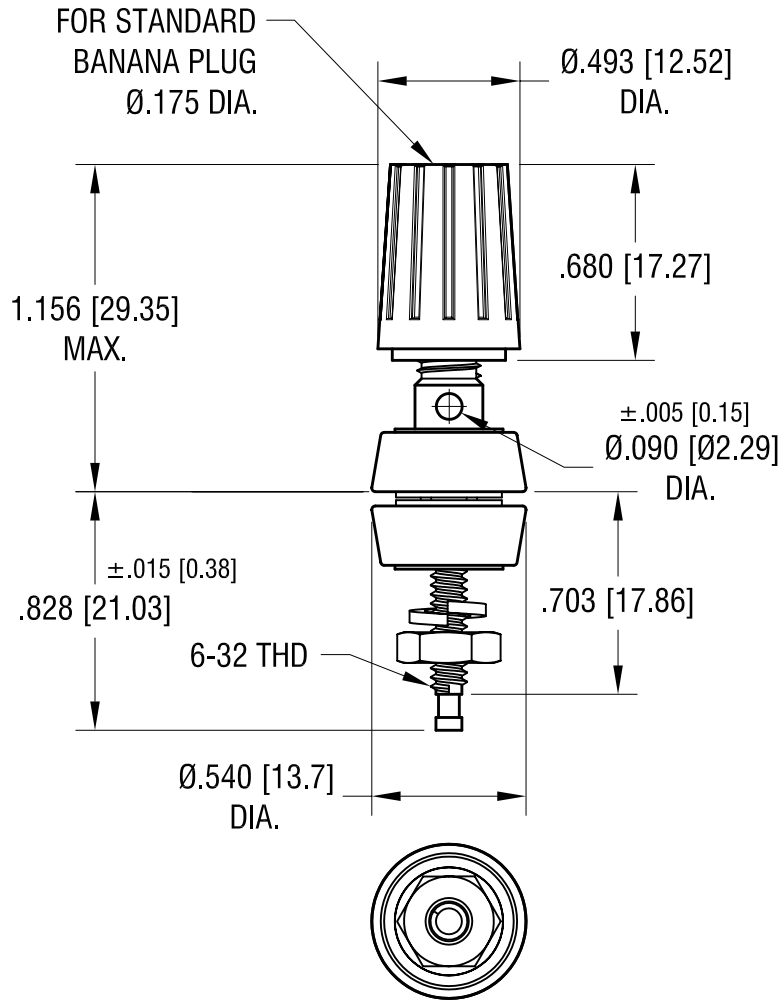


THIS DOCUMENT IS THE PROPERTY OF  
KEYSTONE ELECTRONICS CORP. AND  
SHALL NOT BE REPRODUCED, DISTRIBUTED  
OR USED AS A BASIS FOR MANUFACTURE  
WITHOUT PRIOR WRITTEN PERMISSION  
FROM KEYSTONE ELECTRONICS CORP.



NOTES:

1. STUD : MAT'L - BRASS, BRIGHT TIN PLATE
2. INSULATOR: MAT'L - NYLON
3. FLAT WASHER: MAT'L - BRASS, NICKEL PLATE
4. SPLIT WASHER: MAT'L - PHOSPHOR BRONZE  
NICKEL PLATE
5. NUT: MAT'L - BRASS, NICKEL PLATE

| P/N  | TH'D | COLOR |
|------|------|-------|
| 7014 | 6-32 | RED   |
| 7015 | 6-32 | BLACK |

|   |                 |              |             |
|---|-----------------|--------------|-------------|
| <b>KEYSTONE ELECTRONICS CORP.</b>                               |                 |              |             |
| www.keyelco.com • ASTORIA, N.Y. 11105-2017 • Tel (718) 956-8900 |                 |              |             |
| PART NAME   |                 | BINDING POST |             |
| MATERIAL  |                 | AS NOTED     |             |
| FINISH  |                 | AS NOTED     |             |
|   |                 | DRN BY LN    | DATE 1.3.83 |
|   |                 | APP'D LN     | SCALE 1.5X  |
| TOLERANCES  | INCH [MM]       | CODE         | DWG NO.     |
| DECIMAL   | ± .010 [± 0.25] | C            | 7014-7015   |
| ANGULAR   | ± 1°            |              |             |
| UNLESS OTHERWISE SPECIFIED                                      |                 |              |             |

|          |                          |      |
|----------|--------------------------|------|
| 12.10.08 | CHANGE AS PER ECN 08-192 | B    |
| DATE     | DESCRIPTION              | REV. |