

PLEASE CHECK WWW.MOLEX.COM FOR LATEST PART INFORMATION

Part Number: [0354548702](#)
Status: **Active**
Description: 3.18mm (.125") Diameter MagKrimp™ Pin Cluster Block Connector Terminal, Wire Range CMA 400-1600

Documents:

[Drawing \(PDF\)](#) [RoHS Certificate of Compliance \(PDF\)](#)
[Product Specification PS-35548-001 \(PDF\)](#)

General

Product Family	Crimp Terminals
Series	35454
Crimp Quality Equipment	Yes
Product Name	MagKrimp™(Magnet Wire)

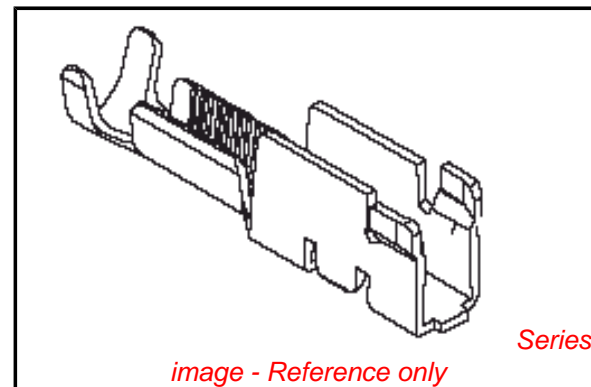
Physical

Durability (mating cycles max)	30
Gender	Female
Material - Metal	Phosphor Bronze
Material - Plating Mating	Tin
Packaging Type	Reel
Termination Interface: Style	Crimp or Compression
Wire Insulation Diameter	0.50-1.00mm (.020-.040")
Wire Size AWG	N/A
Wire Size mm²	N/A

Material Info

Reference - Drawing Numbers

Product Specification	PS-35548-001
Sales Drawing	SD-35454-001



EU RoHS

**ELV and RoHS
Compliant**
REACH SVHC
 Not Reviewed
**Halogen-Free
Status**

China RoHS



**Need more information on product
environmental compliance?**

Email productcompliance@molex.com
 For a multiple part number RoHS Certificate of Compliance, [click here](#)

Please visit the [Contact Us](#) section for any non-product compliance questions.

Search Parts in this Series

[35454Series](#)

Use With

[35548 Housing](#)

DWG. IO.
SD-35454-001

SIMILAR ITEM

PROJECT NO.

C

B

DO NOT SCALE DRAWING
DIMENSION IN METRIC

8 7 6 5 4 3 2 1

F

E

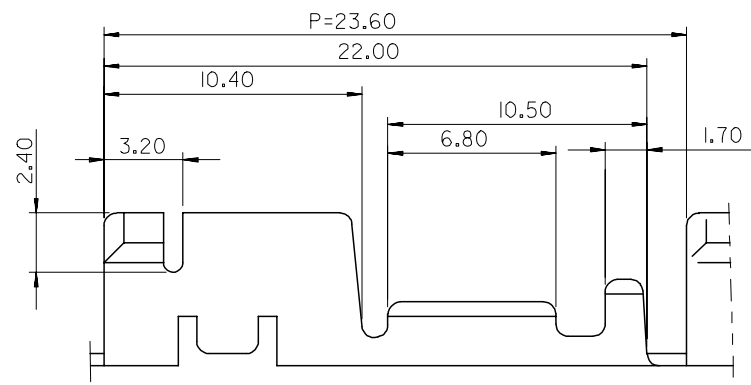
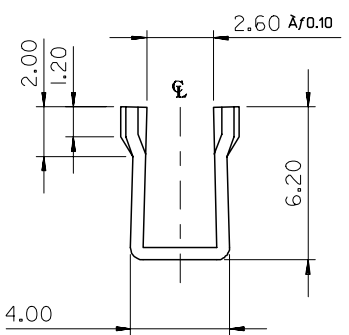
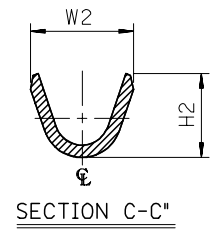
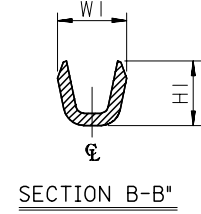
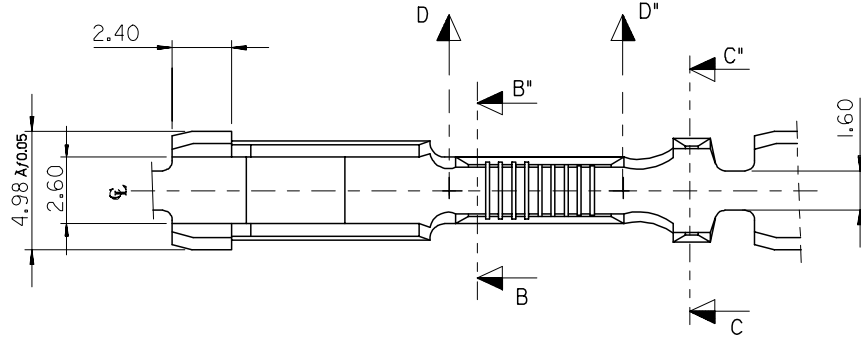
D

C

B

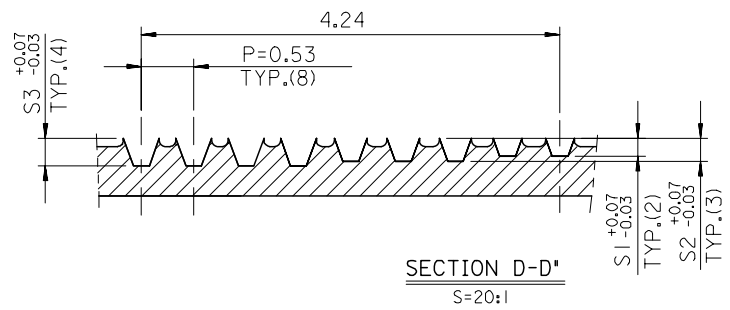
A

MX-A3



- NOTES
- MATERIAL: PHOSPHER BRONZE
0.5mm THICK
 - FINISH: POST TIN PLATING
 - MATED PIN DIA.: 3.18mm

ENG.NO.	DIMENSION							WIRE RANGE CMA
	W1	H1	W2	H2	S1	S2	S3	
35454-8702	2.7	2.6	4.2	3.6	0.08	0.13	0.18	1600 400
35454-8902	3.4	4.0	5.1	4.2	0.10	0.15	0.20	4200 1500
35454-8002	4.2	4.8	5.2	5.7	0.13	0.18	0.23	8000 4000



REDRAWN EC NO. KOR2005-0221 DRWN: J.B.JIN 05/06/18 CHK: W.Y.YANG APPR: C.W.LEE	QUALITY SYMBOLS MAJOR = 0 CRITICAL = 0	GENERAL TOLERANCES: (UNLESS SPECIFIED)		SCALE 5:1	DESIGN UNITS <input checked="" type="checkbox"/> mm <input type="checkbox"/> INCH	THIRD ANGLE PROJECTION	DIMENSIONS: <input type="checkbox"/> mm <input type="checkbox"/> INCH <input checked="" type="checkbox"/> mm ONLY	SHT REV
		DRAWN BY & DATE W.Y.YANG 00/08/14	CHECKED BY & DATE B.K.CHOI 00/08/14	TITLE: COMP TERMINAL-(S),(L) (MAGNET WIRE)		APPROVED BY & DATE C.W.LEE 00/08/14		MOLEX INCORPORATED
A2	DESCRIPTION	ANGULAR: ± 3.0°		CAD FILENAME 54548702.DGN	MATERIAL NO. SEE TABLE	DRAWING NO. SD-35454-001	SHEET NO. 1/1	SIZE B

THIS DRAWING CONTAINS INFORMATION THAT IS PROPRIETARY TO MOLEX INCORPORATED AND SHOULD NOT BE USED WITHOUT WRITTEN PERMISSION.