



P/N: 24ST1285A-3B LF DATA SHEET

Feature

- Lead free for external pins.
- Operating temperature range: 0 to +70 .
- Storage temperature range: -25 to +125 .



Electrical Specifications @ 25°C

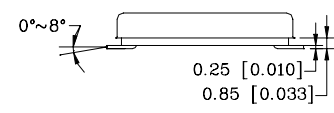
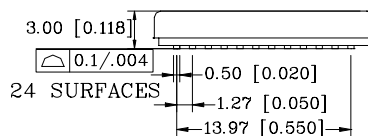
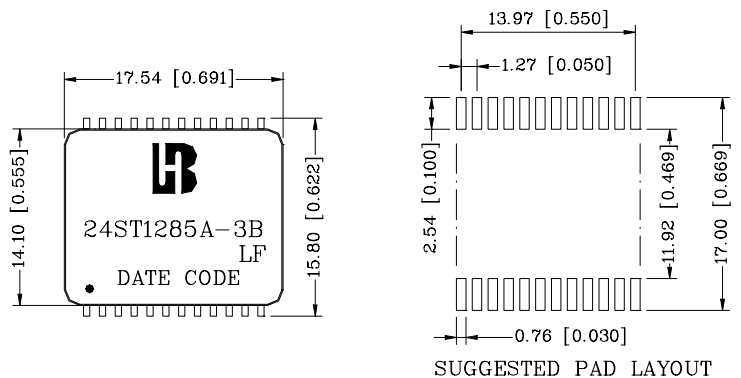
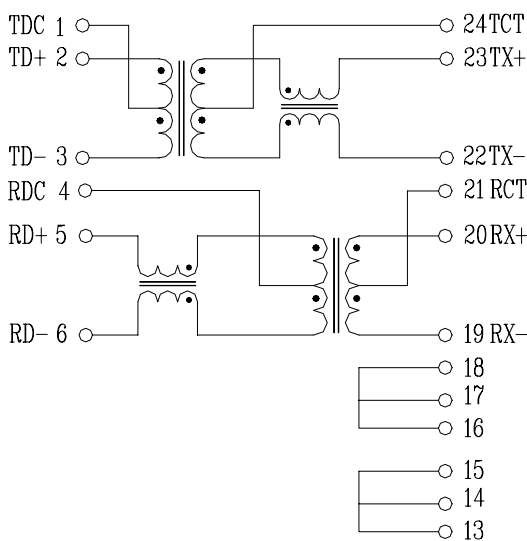
Part Number	Turns Ratio (±5%)		OCL (uH Min) @ 100KHz/0.1V with 8mA DC Bias	DCR (Ω Max)	HI-POT (Vrms)
	TX	RX			
24ST1285A-3B LF	1CT:1CT	1CT:1CT	350	2	1500

Continue

Part Number	Insertion Loss (dB Max)	Return Loss (dB Min)@Load 100					Cross talk (dB Min)		DCMR (dB Min)		
		1-100MHz	30MHz	40MHz	50MHz	60MHz	80MHz	0.3-60MHz	60-100MHz	30MHz	60MHz
24ST1285A-3B LF	-1.2	-16	-14	-13.5	-13	-12	-45	-35	-40	-30	-25

Schematic

Mechanical



Units: mm[Inches] Tolerance: xx.x0±0.25[0.010]
0.xx±0.05[0.002]