

Z87010/Z87L10

AUDIO ENCODER/DECODERS

FEATURES

Device	ROM (Kbyte)	I/O Lines	Package Information
Z87010	4	16	44-Pin PLCC 44-Pin QFP
Z87L10	4	16	44-Pin QFP

Hardware

- 16-Bit DSP Processor
- 3.0V to 3.6V; -20° to +70°C, Z87L10
4.5V to 5.5V, -20° to +70°C, Z87010
- Static Architecture
- 512 Word On-Chip RAM
- Modified Harvard Architecture
- Direct Interface to Z87000 Frequency Hopping Spreader/Despreader

- Direct Interface to 8-Bit μ -law Telephone CODEC
- I/O Bus (16-Bit Tristable Data, 3-Bit Address)
- Wait State Generator
- Two External Interrupts
- Four Separate I/O Pins (2 Input, 2 Output)

Software

- Full Duplex 32 Kbps ADPCM Encoding/Decoding
- Single Tone and DTMF Signal Generation
- Sidetone, Volume Control, Mute Functions
- Large Phone Number Memory (21 numbers of 23 digits each)
- Master-Slave Protocol Interface to Z87000 Spreader/Despreader

GENERAL DESCRIPTION

The Z87010/Z87L10 is a second generation CMOS Digital Signal Processor (DSP) that has been ROM-coded by Zilog to provide full-duplex 32 Kbps, Adaptive Delta Pulse Code Modulation (ADPCM) speech coding/decoding (CODEC), and interface to the Z87000/Z87L00 Spread Spectrum Cordless Telephone Controller. Together the Z87000/Z87L00 and Z87010/Z87L10 devices support the implementation of a 900 MHz frequency-hopping spread spectrum cordless telephone in conformance with United States FCC regulations for unlicensed operation.

The Z87010 and Z87L10 are distinct 5V and 3.3V versions of the ADPCM Audio Encoder/Decoder. For the sake of brevity, all subsequent references to the Z87010 in this document also are applicable to the Z87L10, unless specifically noted.

The Z87010's single cycle instruction execution and Harvard bus structure promote efficient algorithm execution. The processor contains a 4K word program ROM and 512 word data RAM. Six dual operand fetching. Three vectored interrupts are complemented by a six level stack. The CODEC interface enables high-speed transfer rate to accommodate digital audio and voice data. A dedicated Counter/Timer provides the necessary timing signals for the CODEC interface. An additional 13-bit timer is dedicated for general-purpose use.

The Z87010's circuitry is optimized to accommodate intricate signal processing algorithms and is used here for speech compression/decompression, generation of DTMF tones and other cordless telephone functions. Dedicated hardware allows direct interface to a variety of CODEC

GENERAL DESCRIPTION (Continued)

ICs. As configured by the Zilog-provided embedded software for digital cordless phones, the Z87010 supports a low-cost 8-bit μ -law telephone CODEC. The Z87010 is to

be used with the Z87000 and operates at 16.384 MHz, providing 16 MIPS of processing power needed for the cordless telephone application.

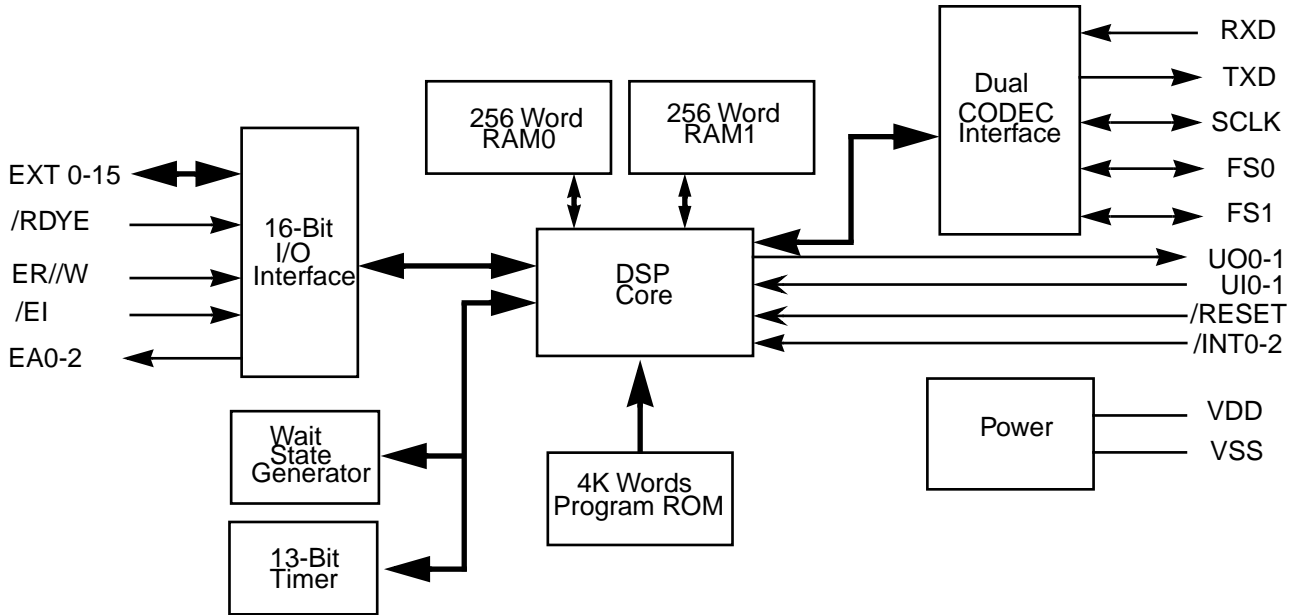


Figure 1. Z87010 Functional Block Diagram

Notes: All signals with a preceding front slash, '/', are active Low, e.g., B//W (WORD is active Low); /B/W (BYTE is active Low, only).

Power connections follow conventional descriptions below:

Connection	Circuit	Device
Power	V _{CC}	V _{DD}
Ground	GND	V _{SS}

PIN DESCRIPTION

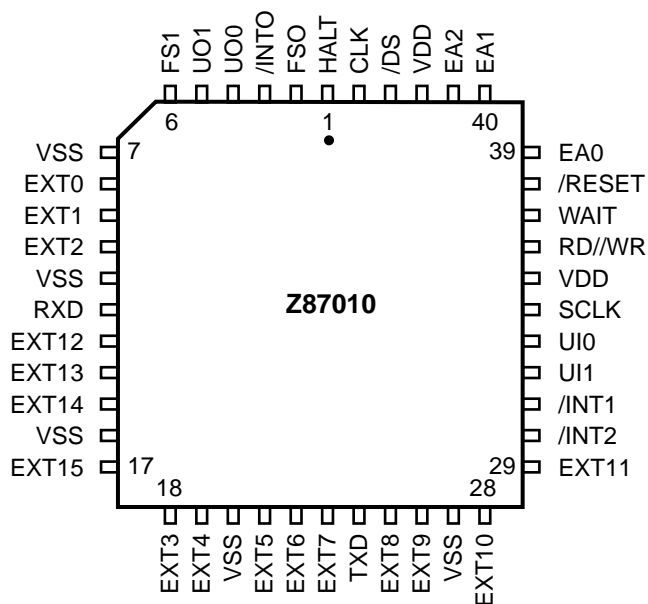


Figure 2. 44-Pin PLCC Pin Assignments

PIN DESCRIPTION (Continued)

Table 1. 44-Pin PLCC Pin Identification

No.	Symbol	Function	Direction
1	HALT	Stop execution	Input
2	FS0	CODEC0 frame sync	Input/Output*
3	/INT0	Interrupt	Input
4-5	UO0-UO1	User output	Output
6	FS1	CODEC1 frame sync	Input/Output*
7,11,16,20,27	V _{SS}	Ground	
8-10	EXT0-EXT2	External data bus	Input/Output
12	RXD	Serial input from CODECs	Input
13-15	EXT12-EXT14	External data bus	Input/Output
17	EXT15	External data bus	Input/Output
18-19	EXT3-EXT4	External data bus	Input/Output
21-23	EXT5-EXT7	External data bus	Input/Output
24	TXD	Serial output to CODECs	Output
25-26	EXT8-EXT9	External data bus	Input/Output
28-29	EXT10-EXT11	External data bus	Input/Output
30	/INT2	Interrupt	Input
31	/INT1	Interrupt	Input
32	UI1	User input	Input
33	UI0	User input	Input
34	SCLK	CODEC serial clock	Input/Output*
35,42	V _{DD}	Power supply	Input
36	RD//WR	RD /WR strobe for EXT bus	Output
37	WAIT	WAIT state	Input
38	/RESET	Reset	Input
39-41	EA0-EA2	External address bus	Output
43	/DS	Data strobe for external bus	Output
44	CLK	Clock	Input

Note: *Defined input or output by interface mode selection

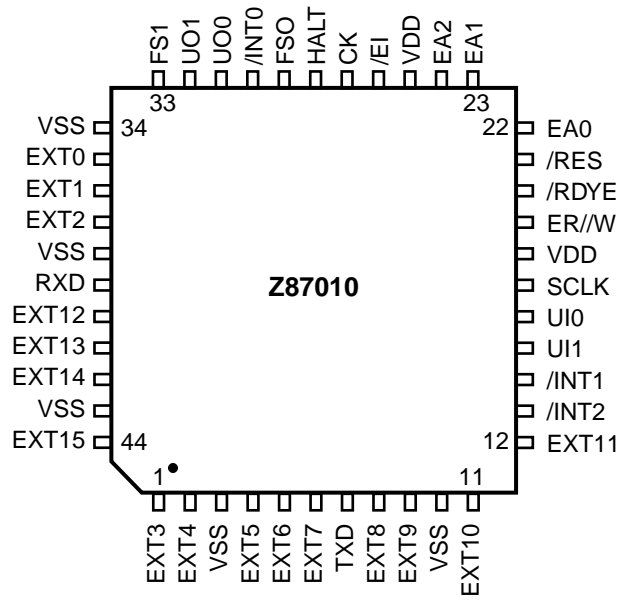


Figure 3. 44-Pin QFP Pin Assignments

PIN DESCRIPTION (Continued)

Table 2. 44-Pin QFP Pin Identification

No.	Symbol	Function	Direction
1-2	EXT3-EXT4	External data bus	Input/Output
3,10	V _{SS}	Ground	–
4-6	EXT5-EXT7	External data bus	Input/Output
7	TXD	Serial output to CODECs	Output
8-9	EXT8-EXT9	External data bus	Input/Output
11-12	EXT10-EXT11	External data bus	Input/Output
13	/INT2	Interrupt	Input
14	/INT1	Interrupt	Input
15	UI1	User input	Input
16	UI0	User input	Input
17	SCLK	CODEC serial clock	Input/Output*
18,25	V _{DD}	Power supply	Input
19	ER/W	R/W for External Bus	Output
20	/RDYE	Data Ready	Input
21	/RES	Reset	Input
22-24	EA0-EA2	External Address Bus	Output
26	/EI	Data Strobe for External Bus	Output
27	CK	Clock	Input
28	HALT	Stop Execution	Input
29	FS0	CODEC0 Frame Sync	Input/Output*
30	/INT0	Interrupt	Input
31-32	U00-U01	User Output	–
33	FS1	CODEC1 Frame Sync	Input/Output*
34	V _{SS}	Ground	Input
35-37	EXT0-EXT2	External data bus	Input/Output
38	V _{SS}	Ground	Input
39	RXD	Serial Input to CODEC	Input
40-42	EXT12-EXT14	External Data Bus	Input/Output
43	V _{SS}	Ground	Input
44	EXT15	External Data Bus	Input/Output

Note: *Input or output is defined by interface mode selection.

ABSOLUTE MAXIMUM RATING

Symbol	Description	Min.	Max.	Units
V_{DD}	Supply Voltage	-0.3	+7.0	V
T_{STG}	Storage Temp	-65°C	+150°C	C
T_A	Oper. Ambient Temp	-25°	+70°	C

Note: *Voltage on all pins with respect to GND.

Stresses greater than those listed under Absolute Maximum Ratings may cause permanent damage to the device. This is a stress rating only; operation of the device at any condition above those indicated in the operational sections of these specifications is not implied. Exposure to absolute maximum rating conditions for extended period may affect device reliability.

STANDARD TEST CONDITIONS

The characteristics listed below apply for standard test conditions as noted. All voltages are referenced to ground. Positive current flows into the referenced pin (Figure 4).

Standard test conditions are as follows:

$$3.0V \leq V_{DD} \leq 3.6V \text{ (Z87L10)}$$

$$4.5V \leq V_{DD} \leq 5.5V \text{ (Z87010)}$$

$$V_{SS} = 0V$$

$$T_A = -20^\circ \text{ to } +70^\circ\text{C}$$

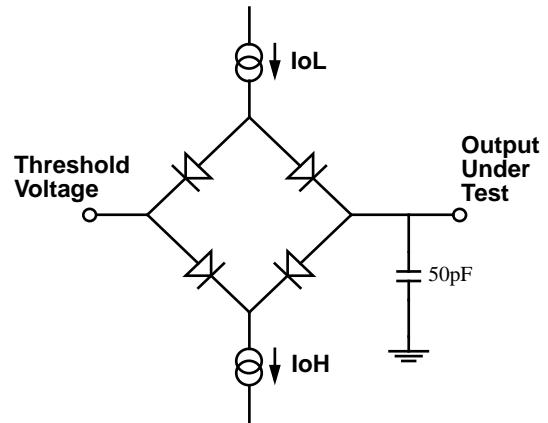


Figure 4. Test Load Diagram

DC ELECTRICAL CHARACTERISTICS

$V_{DD} = 4.5V$ to $5.5V$ (Z87010)

Symbol	Parameter	Condition	$T_A = -20^\circ C$ to $+70^\circ C$		Units
			Min	Max	
I_{DD}	Supply Current	$V_{DD}=5.5V$ $f_{clock}=16.384$ MHz		40	mA
I_{DC}	DC Power Consumption	$V_{DD}=5.5V$		0.2	mA
V_{IH}	Input High Level		2.7		V
V_{IL}	Input Low Level			0.8	V
I_L	Input Leakage			10	μA
V_{OH}	Output High Voltage	$I_{OH}=-100\mu A$	$V_{DD}-0.2$		V
V_{OL}	Output Low Voltage	$I_{OL}=2.0$ mA		0.5	V (1)
I_{FL}	Output Floating Leakage Current			10	μA

Note:

5. The following specifications are pin specific: EA0-2 has $I_{OL} = 5$ mA @ $0.5V$
6. $I_{OH} = 1$ mA @ $3.3V$

$V_{DD} = 3.0V$ to $3.6V$ (Z87L10)

Symbol	Parameter	Condition	$T_A = -20^\circ C$ to $+70^\circ C$		Units
			Min	Max	
I_{DD}	Supply Current	$V_{DD}=3.6V$ $f_{clock}=16.384$ MHz		25	mA
I_{DC}	DC Power Consumption	$V_{DD}=3.6V$		0.2	mA
V_{IH}	Input High Level		$.7V_{DD}$	$V_{DD}+.3$	V
V_{IL}	Input Low Level		$V_{SS}-.3$	$.1V_{DD}$	V
I_L	Input Leakage			10	μA
V_{OH}	Output High Voltage	$I_{OH}=-50\mu A$	$V_{DD}-0.2$		V
V_{OL}	Output Low Voltage	$I_{OL}=1.0$ mA		0.5	V (1)
I_{FL}	Output Floating Leakage Current			10	μA

Note:

7. The following specifications are pin specific: EA0-2 has $I_{OL} = 5$ mA @ $0.5V$
8. $I_{OH} = 1$ mA @ $3.3V$

AC ELECTRICAL CHARACTERISTICS

)

Symbol	Parameter	$T_A = -20^{\circ}\text{C to } +70^{\circ}\text{C}$	
		Min (ns)	Max (ns)
TCY	Clock Cycle Time	50	–
PWW	Clock Pulse Width	23	–
Tr	Clock Rise Time	–	2
Tf	Clock Fall Time	–	2
TEAD	EA, ER//W Delay from CK	5	28
TXVD	EXT Data Output Valid from CK	5	33
TXWH	EXT Data Output Hold from CK	3	25
TXRS	EXT Data Input Setup Time	10	–
TXRH	EXT Data Input Hold from CK	10	25
TIEDR	/EI Delay Time from CK	3	15
TIEDF		0	15
RDYS	Ready Setup Time	8	–
RDYH	Ready Hold Time	5	–
TINS	Int. Setup Time to CLK Fall	3	–
TINL	Int. Low Pulse Width	10	–
THS	Halt Setup Time to CLK Rise	3	–
THH	Halt Hold Time to CLK Rise	10	–

AC TIMING DIAGRAMS

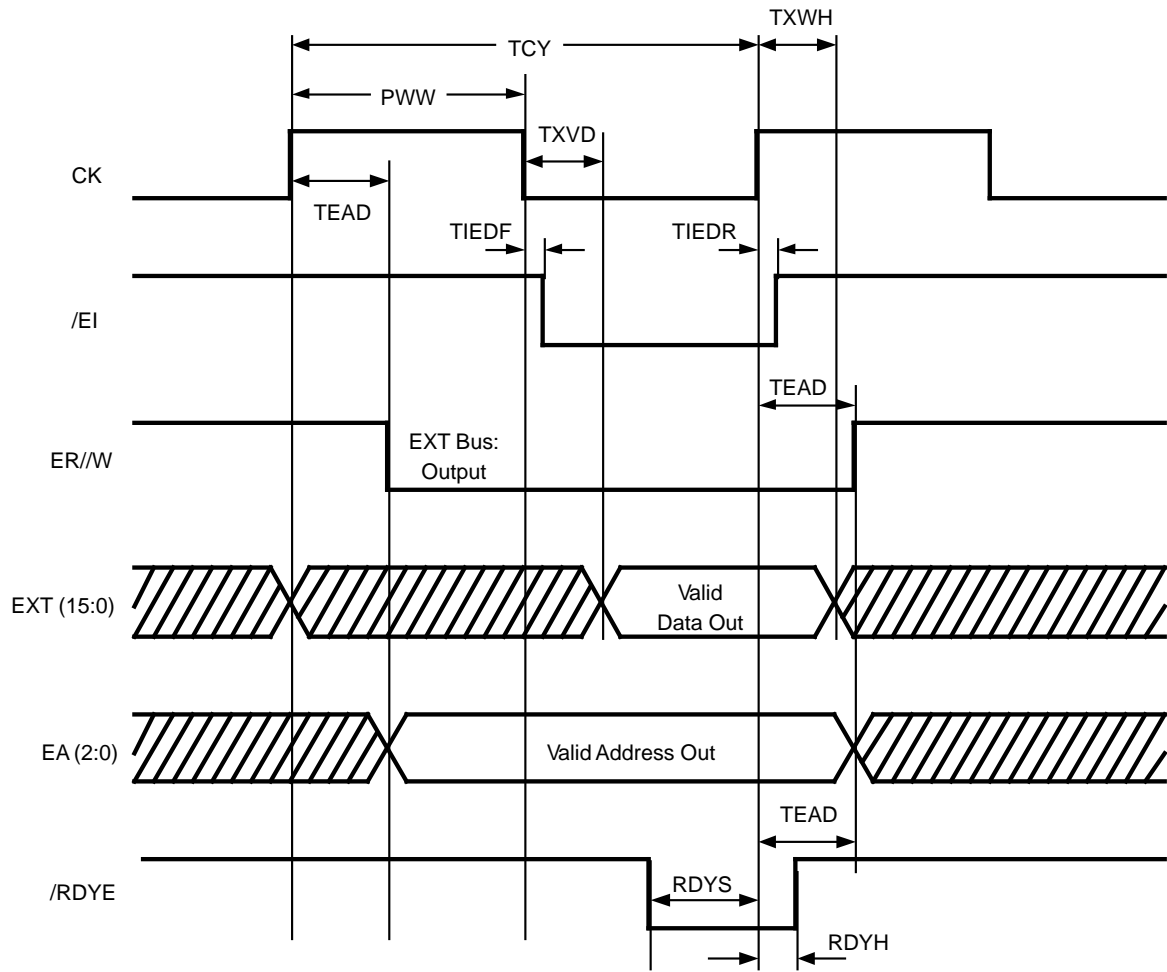


Figure 5. Write to External Device Timing

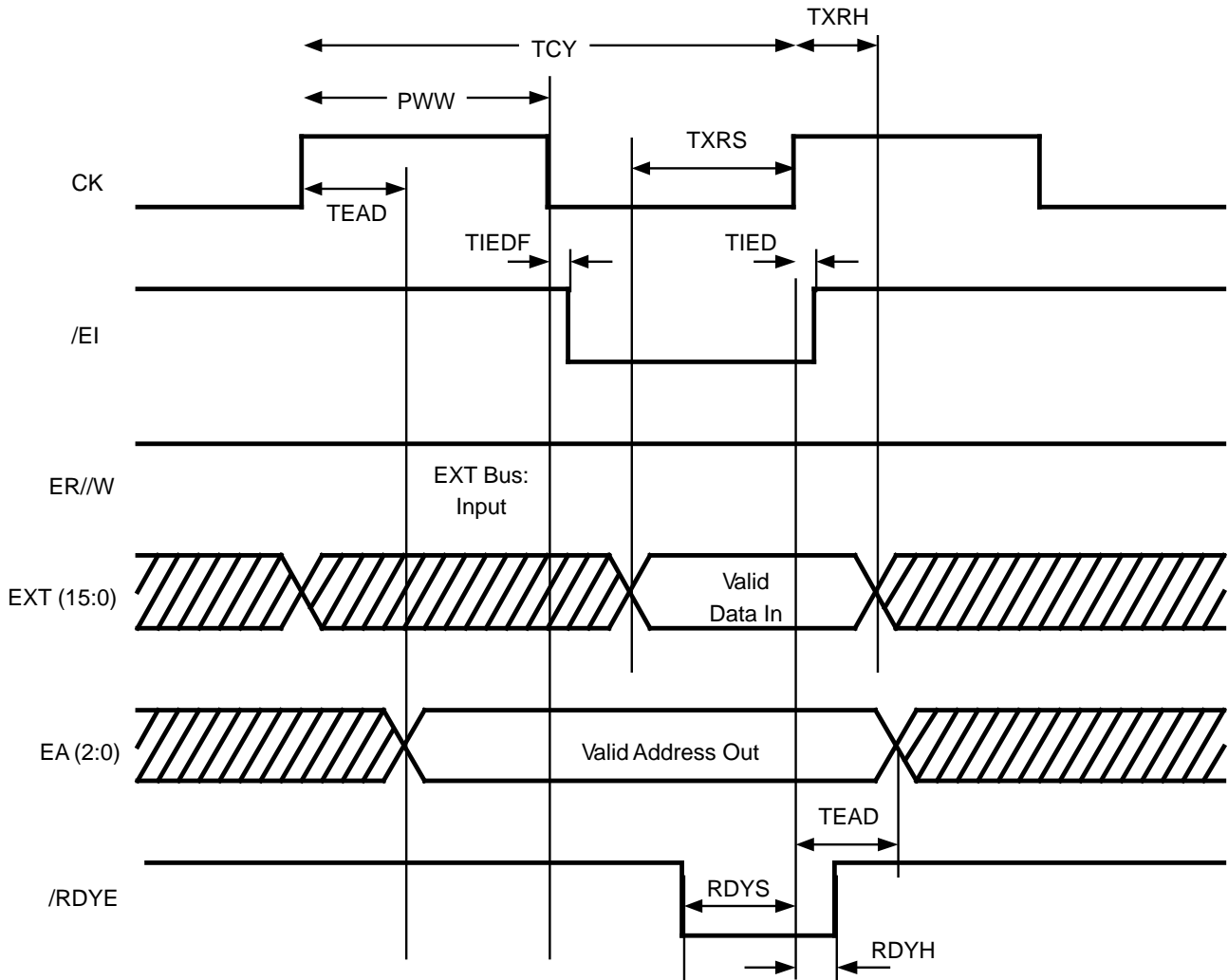


Figure 6. Read From External Device Timing

AC TIMING DIAGRAMS (Continued)

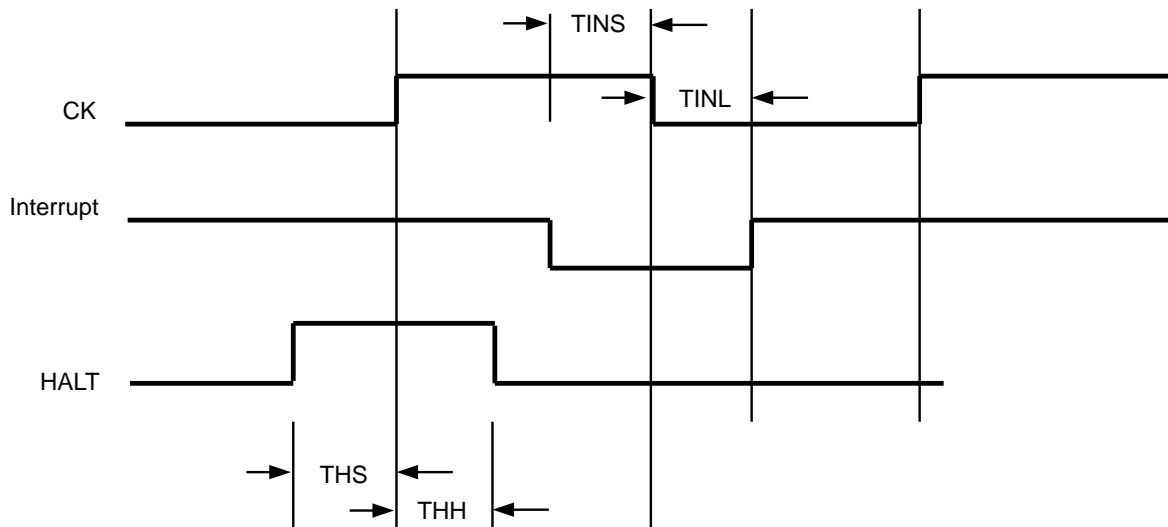


Figure 7. Interrupt/HALT Timing

Table 3. CODEC Interface-AC Timing

Internal SCLK		Min	Max
SDCR	SCLK down from CLK rise	–	15
SUCR	SCLK up from CLK rise	–	15
FDCR	FS0, FS1 down from SCLK rise	–	6
FUCR	FS0, FS1 up from SCLK rise	–	6
TDSR	TXD down from SCLK rise	–	7
TUSR	TXD up from SCLK rise	–	7
RSU	RXD Setup time in respect to SCLK fall	7	
RH	RXD Hold time in respect to SCLK fall	0	
FDCR	FS0,FS1 down from SCLK rise	–	13
FUCR	FS0, FS1 up from SCLK rise	–	13
TDSR	TXD down from SCLK rise	–	12
TUSR	TXD up from SCLK rise	–	12
RSU	RXD setup time in respect to SCLK fall	1	
RH	RXD Hold Time in respect to SCLK fall	6	

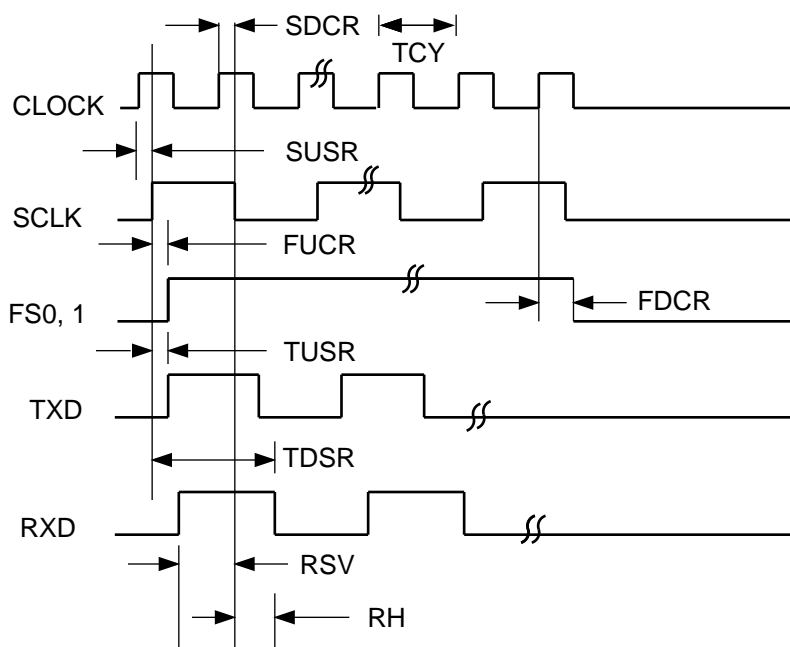


Figure 8. CODEC Interface Timing

PIN FUNCTIONS

CK *Clock (input)*. This pin controls the external clock.

EXT15-EXT0 *External Data Bus (input/output)*. Data bus for user-defined outside registers. The pins are normally tri-stated, except when the outside registers are specified as destination registers in the instructions. All the control signals exist to allow a read or a write through this bus. The bus is used for Z87000 interface.

ER//W *External Bus Direction (output)*. Data direction signal for EXT-Bus. Data is available from the CPU on EXT15-EXT0 when this signal is Low. EXT-Bus is in input mode (high-impedance) when this signal is High.

EA2-EA0 *External Address (output)*. User-defined register address output (latched). One of eight user-defined external registers is selected by the processor with these addresses are part of the processor memory map, the processor is simply executing internal reads and writes. External Addresses EXT4-EXT7 are used internally by the processor if the CODEC interface and 13-bit timer are enabled.

/EI *Enable Input (output)*. Read/Write timing signal for EXT-Bus. User strobe is for triggering external peripheral. Data is read by the external peripheral on the rising edge of /EI. Data is read by the processor on the rising edge of CK not /EI.

HALT *Halt State (input)*. Stop Execution Control. The CPU continuously executes NOPs and the program counter remains at the same value when this pin is held High. This signal must be synchronized with CK. An interrupt request must be executed (enabled) to exit HALT mode. After the interrupt service routine, the program continues from the instruction after the HALT.

/INT2-/INT0 *Three Interrupts (input, active Low)*. Interrupt request 2-0. Interrupts are generated on the rising edge of the input signal. Interrupt vectors for the interrupt service routine starting address are stored in the program memory locations 0FFFH for /INT0, 0FFEh for /INT1, and 0FFFDH for /INT2. Priorities are: INT2=Lowest, INT0=highest.

INT1 and INT2 are shared with internal Z87010 peripherals. INT1 is dedicated to the CODEC interface if enabled. INT2 services the 13-bit Timer if enabled. In the Z87010 standard software configuration, INT0 and INT2 are not used; INT1 is used by the CODEC interface.

/RES *Reset (input, active Low)*. This pin controls the asynchronous reset signal. The /RESET signal must be kept Low for at least one clock cycle. The CPU pushes the contents of the Program Counter (PC) onto the stack and then fetches a new PC value from program memory address 0FFCH after the reset signal is released.

/RDYE *Data Ready (input)*. User-supplied Data Ready signal for data to and from external data bus. This pin stretches the /EI and ER//W lines and maintains data on the address bus and data bus. The ready signal is sampled from the rising clock only if ready is active. A single wait-state can be generated internally by setting the appropriate bits in the EXT7-2 register.

U11-U10 *Two Input Pins (input)*. General-purpose input pins. These input pins are directly tested by the conditional branch instructions: and are reflected in two bits of the status register (S10 and S11). These are asynchronous input signals that have no special clock synchronization requirements.

U01-U00 *Two Output Pins (push-pull output)*. General-purpose output pins. These pins reflect the value of two bits in the status register (S5 and S6). U00 is dedicated to provide an interrupt signal to the Z87000 controller. Note: the user output pin values are the inverse of the status register content.

FUNCTIONAL DESCRIPTION

General functional partitioning of the Z87010 is shown in Figure 1. The chip consists of the Z89S00 static DSP core with 512 words of RAM, 4K words of ROM, a CODEC interface, a general-purpose timer and a wait state generator.

The DSP core is characterized by an efficient hardware architecture that allows fast arithmetic operations such as multiplication, addition, subtraction and multiply-accumulate of two 16-bit operands. Most instructions are executed in one clock cycle.

The DSP core uses a RAM memory of 512 16-bit words divided in two banks.

Program Memory. The Z87010 has a 4K 16-bit words internal ROM including 4 words for interrupt and reset vectors. The ROM is mapped at address 0000H to 0FFFH. The reset vector is located at address 0FFCH, interrupts INT0 is at 0FFDH, interrupt INT1 is at 0FFEh and interrupt INT2 is at 0FFFH.

Interrupts. The Z87010 has three positive edge-triggered interrupt inputs pins. However, INT1 is dedicated to the CODEC interface and INT2 is dedicated to the 13-bit timer if these peripherals are enabled.

User Inputs. The Z87010 has two inputs, UI0 and UI1, which may be used by Jump and Call instructions. The Jump or Call tests one of these pins and if appropriate, jumps to a new location. Otherwise, the instruction behaves like a NOP. These inputs are also connected to the status register bits S10 and S11, which may be read by the appropriate instruction.

User Outputs. The status register bits S5 and S6 connect directly to UO0 and UO1 pins and may be written to by the appropriate instruction. Note: The user output value is the opposite of the status register content.

I/O Bus. The Z87010 provides a 16-bit, CMOS compatible I/O bus. I/O Control pins provide convenient communication capabilities with external peripherals. Single cycle access is possible. For slower communications, an on-board hardware wait-state generator can be used to accommodate timing conflicts.

These latched output address pins (EA0-2) allow a maximum of eight external peripherals. However up to four of these addresses (EXT4-7) are used by internal peripherals if enabled.

EXT4 13-bit Timer Configuration Register

EXT5 CODEC Interface Channel 0 Data

EXT6 CODEC Interface Channel 1 Data

EXT7 CODEC Interface Configuration Register and Wait State Generator.

CODEC INTERFACE

The CODEC interface provides direct-connect capabilities for standard 8-bit PCM CODECs with hardware μ -law compression. Internal registers EXT5, EXT6 and EXT7 are used to program the CODEC mode. One serial clock and

two frame sync control signals are provided, allowing for two bidirectional data channels.

Note: μ -law expansion must be done in software.

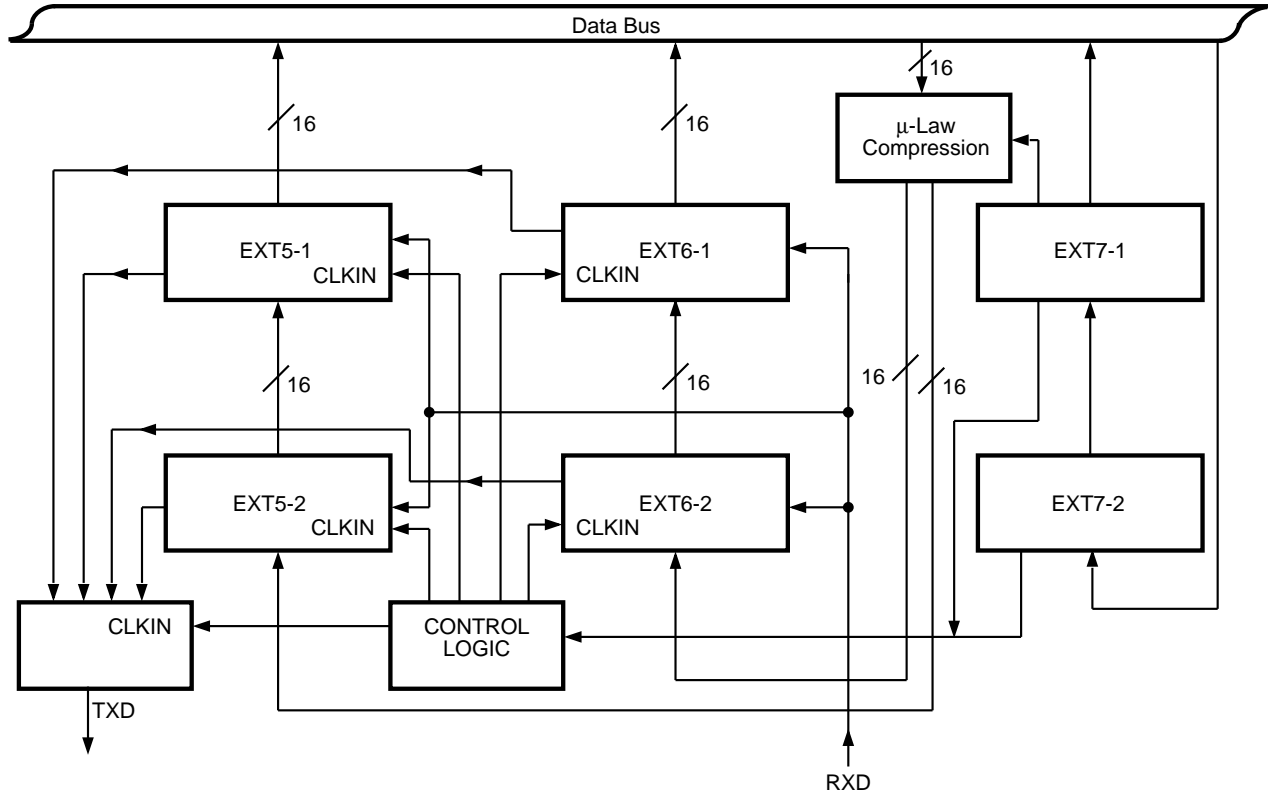


Figure 9. CODEC Interface Block Diagram

CODEC Interface Hardware

The Hardware for the CODEC Interface uses six 16-bit registers, μ -law compression logic and general-purpose logic to control transfers to the appropriate register.

CODEC Interface Control Signals

SCLK (Serial Clock)

The Serial Clock provides a clock signal for operating the external CODEC. A 4-bit prescaler is used to determine the frequency of the output signal.

$$SCLK = (0.5 * CLK) / PS \text{ where: } CLK = \text{System Clock}$$

$$PS = \text{4-bit Prescaler}^*$$

Note: An internal divide-by-two is performed before the clock signal is passed to the Serial Clock prescaler.

* The Prescaler is an up-counter.

Assuming an input clock of 16.384 MHz, SCLK is programmed by the Z87010 embedded software for 2.048 MHz.

TXD (Serial Output to CODEC)

The TXD line provides 8-bit data transfers. Each bit is clocked out of the processor by the rising edge of the SCLK, with the MSB transmitted first.

RXD (Serial Input from CODEC)

The RXD line provides 8-bit data transfers. Each bit is clocked into the processor by the falling edge of the SCLK, with the MSB received first.

FS0, FS1 (Frame Sync)

The Frame Sync is used for enabling data transfer/receive. The rising and falling edge of the Frame Sync encloses the serial data transmission. The Z87010 embedded software programs the Frame Sync signal to 8 kHz.

Interrupt

Once the transmission of serial data is completed an internal interrupt signal is initiated. A single-cycle Low pulse provides an interrupt on INT1. When this occurs, the processor will jump to the defined Interrupt 1 vector location.

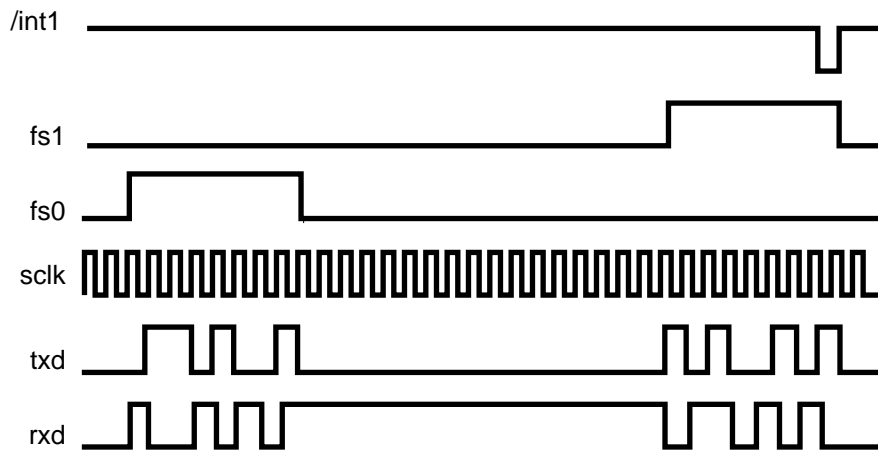


Figure 10. CODEC Interface Timing (8-Bit Mode)

CODEC Interface Timing

Figure 10 depicts a typical 8-bit serial data transfer using both of the CODEC Interface Channels. The transmitting data is clocked out on the rising edge of the SCLK signal. An external CODEC clocks data in on the falling edge of the SCLK signal. Once the serial data is transmitted, an interrupt is given. The CODEC interface signals are not initiated if the CODEC interface is not enabled.

The following modes are available for FSYNC and SCLK signals:

SCLK	FSYNC
Internal	Internal
External	External
External	Internal
Internal	External

CODEC INTERFACE (Continued)

The CODEC interface timing is independent of the processor clock when external mode is chosen. This feature provides the capability for an external device to control the transfer of data to the Z87010. The Frame Sync signal envelopes the transmitted data (Figure 10), therefore care must be taken to ensure proper sync signal timing. In the cordless phone system, the SCLK is externally provided by the Z87000 controller, while FSYNC is internally generated.

The Transmit and Receive lines are used for transfer of serial data to or from the CODEC interface. The CODEC interface performs both data transmit and receive simultaneously.

The FSYNC Signals (FS0, FS1) when programmed for internal mode, are generated by 9-bit counter with SCLK as input clock. Together with the SCLK prescaler, this counter forms a 13-bit counter clocked by the system clock divided by two. The output of this counter can be used to clock the general-purpose 13-bit counter/timer, to form a 26-bit counter.

CODEC Control Registers

The CODEC interface is accessed through addresses EXT5, EXT6 and EXT7. The data accesses are double-buffered registers: two registers (EXT5-1 and EXT5-2) are mapped on address EXT5 and similarly EXT6-1 and EXT6-2 registers are mapped on address EXT6.

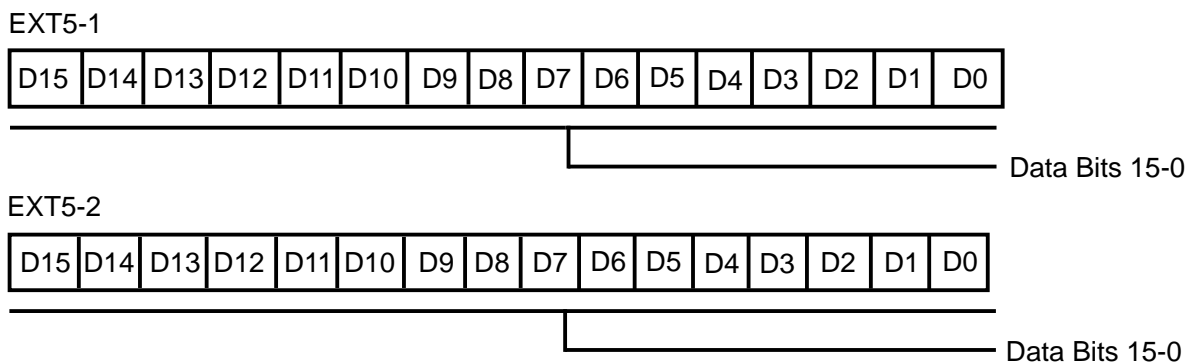


Figure 11. CODEC Interface Data Registers (Channel 0)

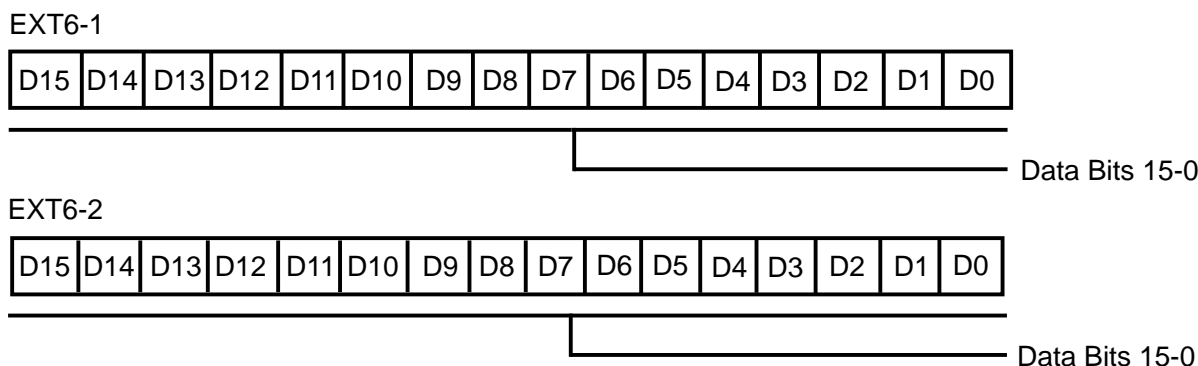


Figure 12. CODEC Interface Data Registers (Channel 1)

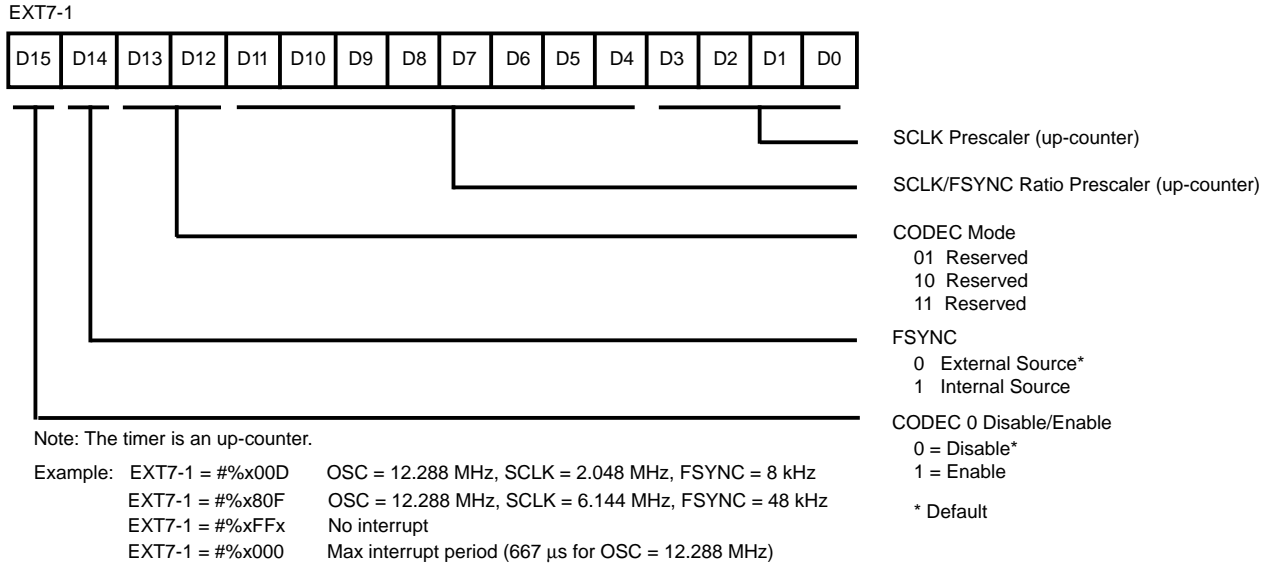


Figure 13. CODEC Interface Control Register

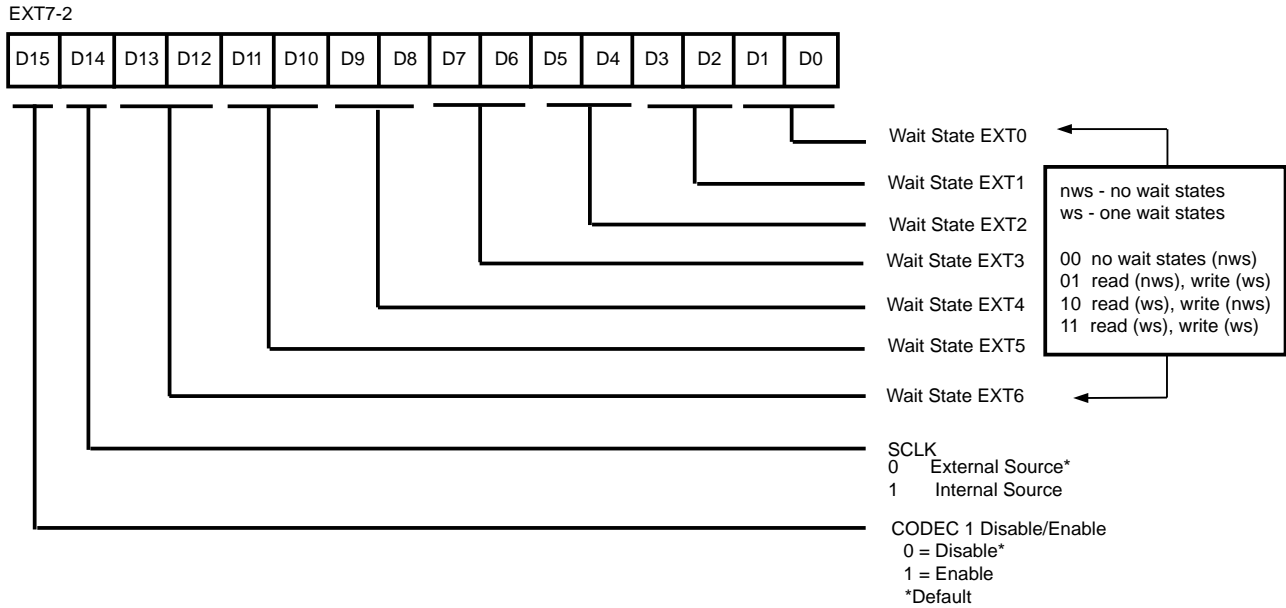


Figure 14. Wait/State/CODEC Interface Control Register

CODEC INTERFACE (Continued)

The CODEC Interface Control Register (EXT7-1) is shown on Figure 13. Setting of the CODEC mode, FSYNC mode and CODEC 0 enable/disable is done through this register. A second control register (EXT7-2) also mapped on address EXT7 control the CODEC 1, SCLK source and wait state generator (see Figure 9). The “operation” section describes how to access the various register.

Wait-State Generator

An internal wait state generator is provided to accommodate slow external peripherals. One wait-state can be automatically inserted by the Z87010 in any EXT bus access. Read and/or write cycles can be independently lengthened for each register, by setting register EXT7-2 accordingly. See Figure 9 for detailed description of EXT7-2.

The Z87010 software uses one wait state on all external register accesses.

For additional wait states, a dedicate pin (/RDYE) can be held high. The /RDYE pin is monitored only during execution of a Read or Write Instruction to external peripherals.

General-Purpose Counter Timer

A 13-bit counter/timer is available for general-purpose use. When the counter counts down to the zero state, an interrupt is received on INT2. If the counter is disabled, EXT4 can be used as a general-purpose address. The counting operation of the counter can be disabled by resetting bit 14. By selecting the clock source to the CODEC counter output (FSYNC), one can extend the counter to a total of 26 bits.

Note: Placing zeroes into the Count Value register does not generate an interrupt. Therefore it is possible to have a single-pass option by loading the counter with zero after the start of count.

The Counter is defaulted to the Enable state. If the system designer does not choose to use the timer, the counter can be disabled. Once disabled, the designer cannot enable the counter unless a reset of the processor is performed.

Example:

```
LD EXT, #%C0008 1100 0000 0000 1000
                        ; Enable Counter
                        ; Enable Counting
                        ; Clock Source = OSC/2
                        ; Count Value = 1000=8
                        ; Interrupt will occur every 16 clock
                        ; cycles
```



Figure 15. Timer Register

OPERATION

Disabling Peripherals

Disabling a peripheral (CODEC Interface, Counter) provides a general-purpose use of the EXT address pertaining to the specific peripheral. If the peripheral is not disabled, the EXT control signals and EXT data are still provided but transfer of data on the EXT pins is not available (since internal transfers are being processed on the internal bus). Care must be taken to ensure that control of the EXT bus does not provide bus conflicts.

Accessing the CODEC Interface Registers

EXT5, EXT6 AND EXT7 host double buffered registers. External serial CODEC data is transferred from pin RxD to the Z87010 CODEC interface registers EXT5-2. At the same time, the data present in EXT5-2 is serially transferred to the external CODEC through pin TxD.

Writing a new data word to EXT5 loads that data word to EXT5-2 and transfers the current contents of EXT5-2 to EXT5-1. Reading data from EXT5 reads the contents of EXT5-1. Care must be taken to ensure that EXT5 is not

written to while the serial CODEC transfer is taking place. This is achieved by only writing to EXT5 after the CODEC interrupt. This also transfers the CODEC value to EXT5-1 which can be read in software.

The correct succession of operations is thus

1. Wait for Interrupt
2. Write to EXT5
3. Read from EXT5

The same discussion applies for EXT6.

A similar hardware architecture is used for EXT7. Writing to EXT7 loads the register EXT7-2 and transfers the previous contents of EXT7-2 to EXT7-1. Reading from EXT7 returns the contents of EXT7-1.

In order to load both registers, two successive load operations to EXT7 are required: first with the contents of EXT7-1 then with the contents of EXT7-2. (See Figure 16).

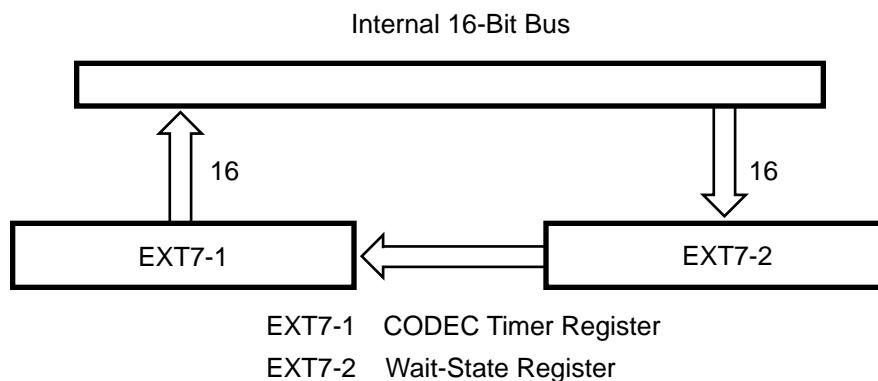


Figure 16. EXT7 Register Configuration
