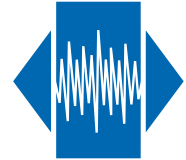


VXO-1S-6p

SMD VCXO
HCMOS

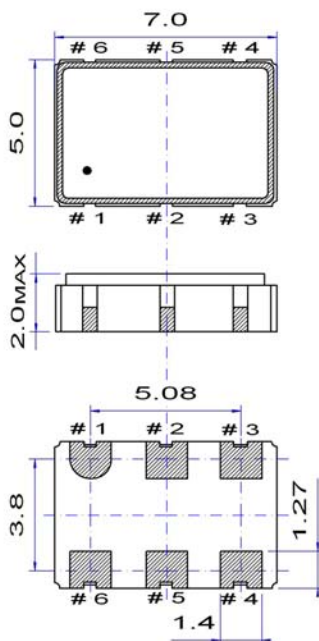
QuartzCom
the communications company



Features

- Applications: telecommunications, instrumentation, microwave
- Output frequency up to 200 MHz
- Low jitter < 1 ps
- Highly shock and vibration resistant

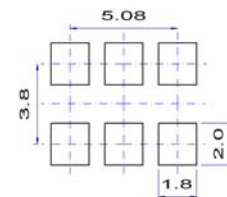
Parameter	Specification	
	VXO-1S3-6p	VXO-1S5-6p
Frequency range	1.0 ~ 200 MHz	1.0 ~ 80 MHz
Standard frequencies	19.44, 76.8, 106.25, 122.88, 125.00, 155.52 & 200 MHz	10.00, 12.80, 19.44, 26.00 40.00, 40.96 & 48.00 MHz
Supply voltage	+3.3 V ±5 %	+5.0 V ±5 %
Supply current	10 ~ 50 mA	8 ~ 30 mA
Frequency stability (all inclusive) (*)	< ±25 ppm < ±50 ppm	over -20 ~ +70 °C over -40 ~ +85 °C
Output signal	HCMOS	
Output voltage	$V_{OH} \geq 0.9 V_{dc}$	$V_{OL} \leq 0.1 V_{dc}$
Output load	15 pF	25 pF ~ 50 pF on request
Symmetry	45 ~ 55 %	@ ½ Vdc
Rise / Fall time	4 ~ 8 ns	
Frequency pulling range	±50 ~ ±200 ppm	
Voltage control	+1.65 V ±1.35 V	+2.5 V ±2.0 V
Enable / Disable function	Pin #2 = high or open → pin #4 enable	
Jitter (rms)	< 1.0 ps @ 12 kHz ~ 20 MHz from carrier frequency	
Operating temperature range	-20 ~ +70 °C -40 ~ +85 °C	commercial application industrial application
Packaging units	tape & reel	500 or 1'000 pieces
(*) All inclusive frequency stability vs. temperature, tolerance, aging, supply & load variation		
Customer specification on request		



Pin function

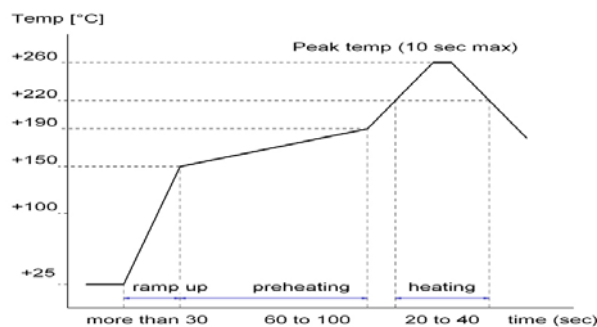
- # 1 Vc Voltage control
- # 2 E/D or not connected
- # 3 GND
- # 4 Output
- # 5 not connected or E/D
- # 6 Vdc

Example for solder pattern



Do not design any conductive path between the pattern

Example for IR reflow soldering temperature



2002/95/EC RoHS compliant