

### Series PVN012

Microelectronic  
Power IC Relay

Single Pole, Normally Open, 0-20V, 2.5A AC/ 4.5A DC

## General Description

The PVN012 Series Photovoltaic Relay at 100 milliohms features the lowest possible on-state resistance in a miniature package — lower than a comparable reed relay.

The PVN012 is a single-pole, normally open solid-state relay. It utilizes a GenerationV HEXFET output switch, driven by an integrated circuit photovoltaic generator of novel construction. The output switch is controlled by radiation from a GaAlAs light emitting diode (LED) which is optically isolated from the photovoltaic generator.

These units exceed the performance capabilities of electromechanical relays in life, sensitivity, stable on-resistance, miniaturization, magnetic insensitivity and ruggedness. They are ideally suited for switching high currents or low level signals without distortion or injection of electrical noise.

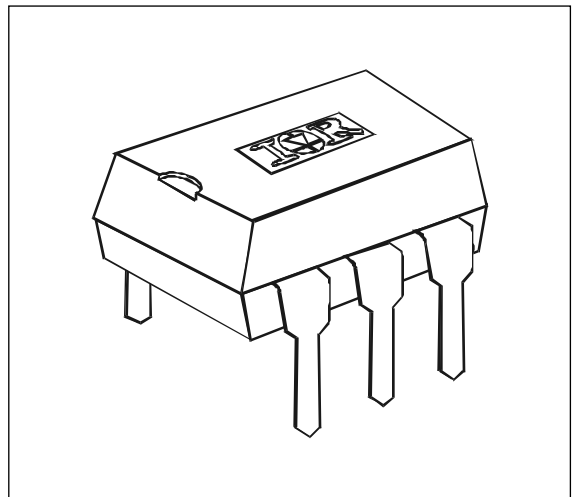
Series PVN012 Relays are packaged in a 6-lead molded DIP package with either through-hole or surface mount (gull-wing) terminals. They are available in standard plastic shipping tubes or on tape-and-reel. Please refer to part identification information opposite.

## Applications

- Portable Electronics
- Programmable Logic Controllers
- Computers and Peripheral Devices
- Audio Equipment
- Power Supplies and Power Distribution
- Instrumentation

## PVN012 Features

- 100mΩ On-Resistance
- GenV HEXFET output
- Bounce-free operation
- 2.5 - 4.5 Amp capacity
- Linear AC/DC operation
- 4,000 V<sub>RMS</sub> I/O isolation
- Solid-State reliability
- UL recognized and CSA certified



## Part Identification

PVN012	through-hole
PVN012S	surface-mount
PVN012S-T	surface-mount, Tape and Reel

# Series PVN012 — HEXFET® Photovoltaic Relay

International  
**IOR** Rectifier

Electrical Specifications (-40°C ≤ T<sub>A</sub> ≤ +85°C unless otherwise specified)

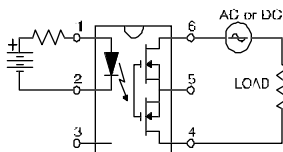
INPUT CHARACTERISTICS	Limits	Units
Minimum Control Current (see figure 1)	3.0	mA
Maximum Control Current for Off-State Resistance @ T <sub>A</sub> = +25°C	0.4	mA
Control Current Range (Caution: current limit input LED, see figure 6)	3.0 to 25	mA
Maximum Reverse Voltage	7.0	V

OUTPUT CHARACTERISTICS	Limits	Units
Operating Voltage Range	0 to ±20	V(DC or AC peak)
Maximum Continuous Load Current @ T <sub>A</sub> =+40°C, 5mA Control (see figure 1)		
A Connection	2.5	A (DC or AC)
B Connection	3.0	A (DC)
C Connection	4.5	A (DC)
Maximum Pulsed Load Current @ T <sub>A</sub> =+25°C, (100 ms @ 10% duty cycle)		
A Connection	6.0	A (DC or AC)
Maximum On-State Resistance @ T <sub>A</sub> =+25°C, for 1A pulsed load, 5mA Control (see figure 4)		
A Connection	100	mΩ
B Connection	65	
C Connection	40	
Minimum Off-State Resistance @ T <sub>A</sub> =+25°C, ±16V <sub>DC</sub>	0.16 x 10 <sup>8</sup>	Ω
Maximum Off-State Leakage @ T <sub>A</sub> =+25°C, ±16V <sub>DC</sub> (see figure 5)	1.0	mA
Maximum Turn-On Time @ T <sub>A</sub> =+25°C (see figure 7), for 1A, 20 V <sub>DC</sub> load, 5mA Control	5.0	ms
Maximum Turn-Off Time @ T <sub>A</sub> =+25°C (see figure 7), for 1A, 20 V <sub>DC</sub> load, 5mA Control	0.5	ms
Maximum Output Capacitance @ 20V <sub>DC</sub> (see figure 2)	300	pF

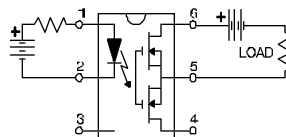
GENERAL CHARACTERISTICS	Limits	Units	
Minimum Dielectric Strength, Input-Output	4000	V <sub>RMS</sub>	
Minimum Insulation Resistance, Input-Output, @ T <sub>A</sub> =+25°C, 50%RH, 100V <sub>DC</sub>	10 <sup>12</sup>	Ω	
Maximum Capacitance, Input-Output	1.0	pF	
Maximum Pin Soldering Temperature (10 seconds maximum)	+260	°C	
Ambient Temperature Range:	Operating		-40 to +85
	Storage		-40 to +100

## Connection Diagrams

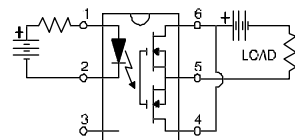
"A" Connection



"B" Connection



"C" Connection



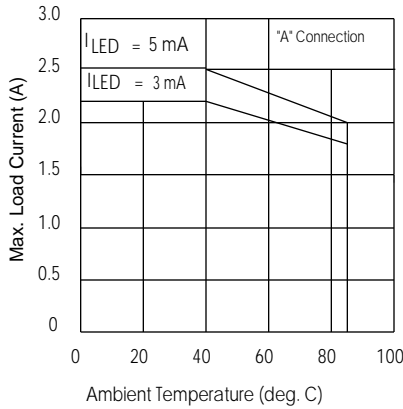


Figure 1. Current Derating Curves\*

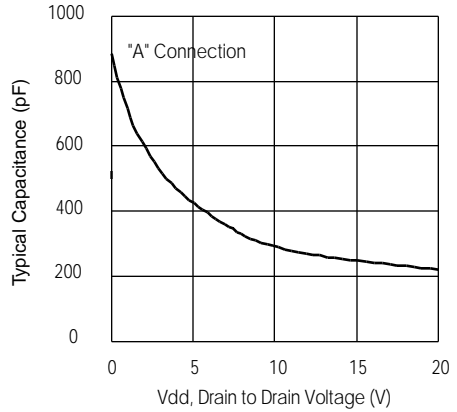


Figure 2. Typical Output Capacitance

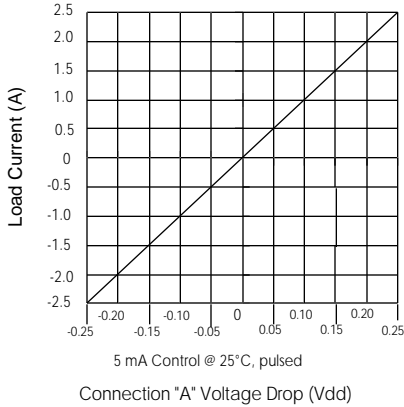


Figure 3. Linearity Characteristics

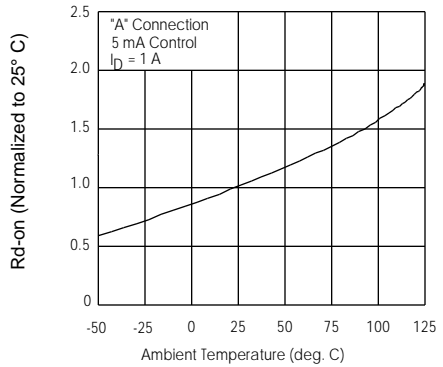


Figure 4. Typical Normalized On-Resistance

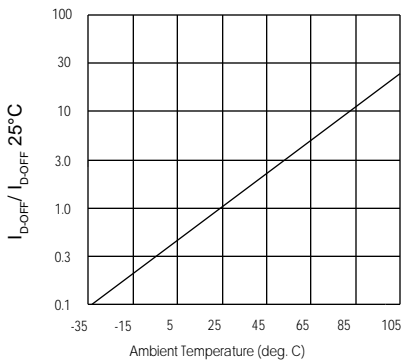


Figure 5. Typical Normalized Off-State Leakage

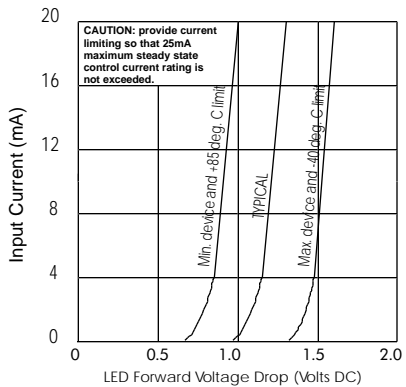


Figure 6. Input Characteristics (Current Controlled)

\* Derating of 'B' and 'C' connection at +85°C will be 70% of that specified at +40°C and is linear from +40°C to +85°C.

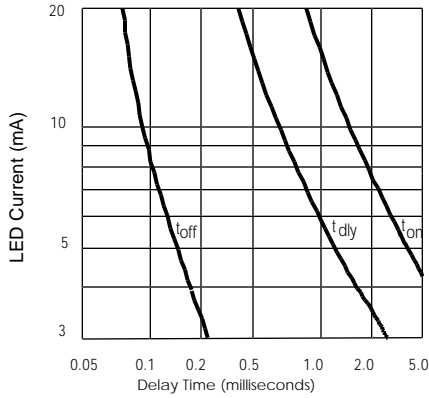


Figure 7. Typical Delay Times

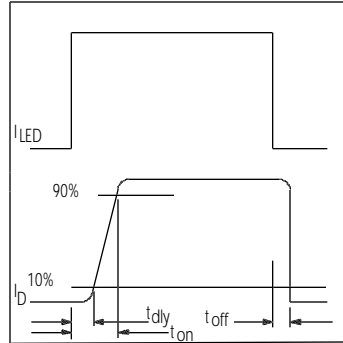
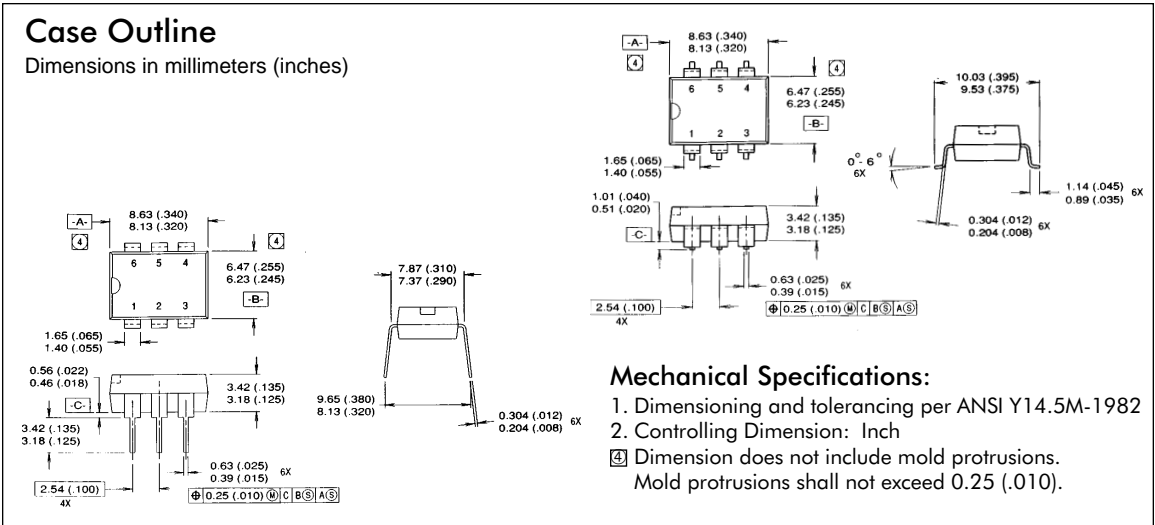


Figure 8. Delay Time Definitions

**Case Outline**

Dimensions in millimeters (inches)



**Mechanical Specifications:**

1. Dimensioning and tolerancing per ANSI Y14.5M-1982
  2. Controlling Dimension: Inch
- ④ Dimension does not include mold protrusions.  
Mold protrusions shall not exceed 0.25 (.010).