



DESCRIPTION

The PT2336 is a power amplifier designed for the audio equipments, maximum output power can reach up to 18Watts x2 (PVH=15.5V, RL=6Ω). Utilizing CLASS-D circuit developed by PTC exclusively with CMOS technology. Compare with traditional CLASS-AB IC, the PT2336 have high efficiency (>80%), low heat dissipation, and very good sound quality, it has very low harmonic distortion 0.03% (1W, 8Ω, 1KHz) even superior to general CLASS-AB amplifier IC. Very few external components needed for the PT2336 are easy to use, and provide a flawless self-protection function, miniaturization package; it is the best choice for audio amplifier.

www.DataSheet4U.com

FEATURES

- High power CMOS Technology
- Analog stereo input
- Max. output power 18W (6Ω) × 2 @ THD=10%
- Default 3 voltage gain for selection
- Mute function
- POP noise free in mode changed and power ON/OFF period
- Built-in 5V regulator
- Built-in short circuit protection
- Built-in overheat protection
- Built-in supply voltage detect protection circuit
- Low harmonic distortion (0.03%), superior sound quality
- High efficiency (12Ω load>90%), low heat dissipation
- Available in 48 Pins, LQFP(thermal pad included) small outline package

APPLICATIONS

- DVD Receiver
- LCD TV
- Mini compo
- Car audio
- Other audio applications

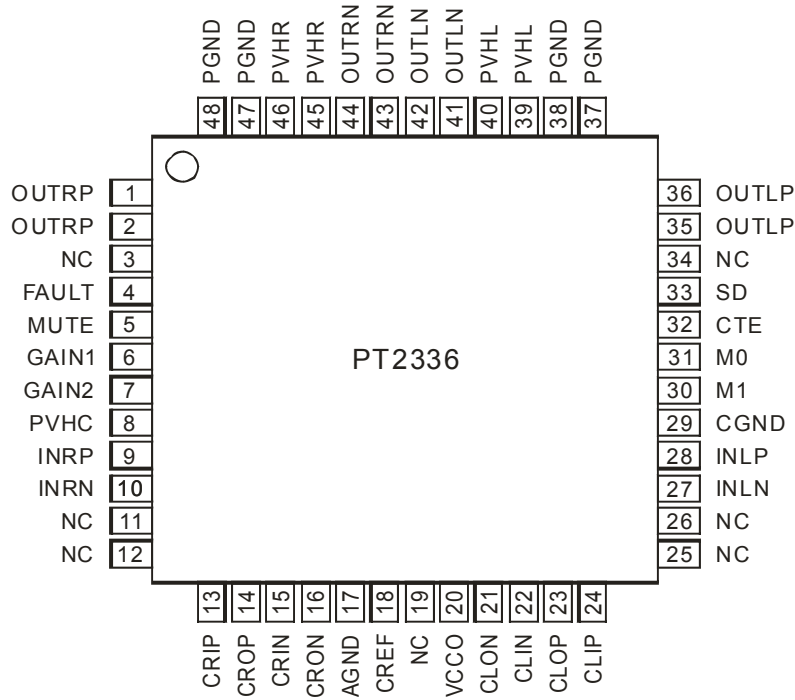


18W×2 CLASS-D Audio Power Amplifier

Preliminary

PT2336

PIN CONFIGURATION



www.DataSheet4U.com

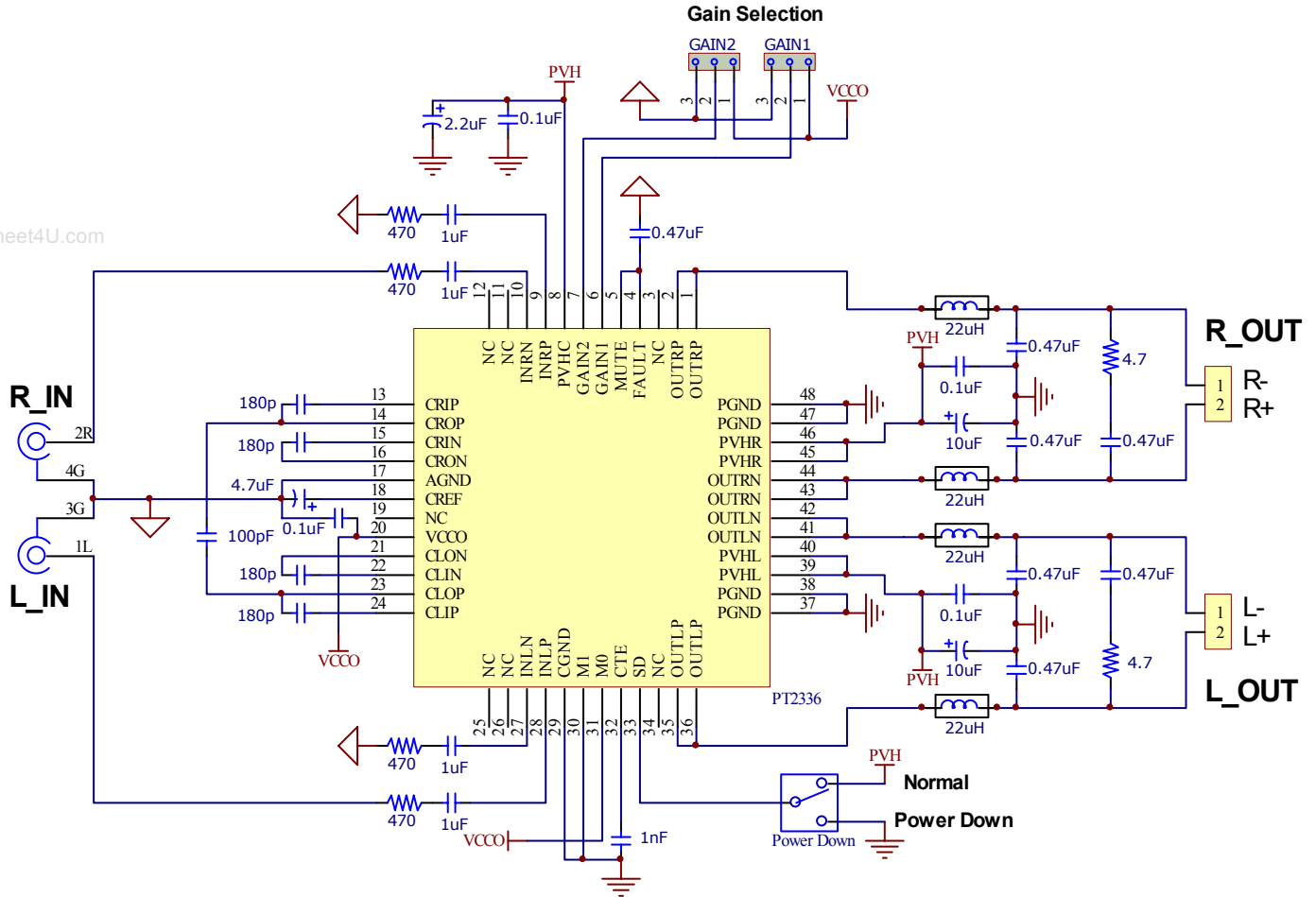


18W×2 CLASS-D Audio Power Amplifier

Preliminary

PT2336

APPLICATION CIRCUIT





ORDER INFORMATION

Valid Part Number	Package Type	Top Code
PT2336-LQ	48 Pins, LQFP	PT2336-LQ
PT2336-LQ (L)	48 Pins, LQFP	PT2336-LQ

Notes:

1. (L), (C) or (S) = Lead Free.
2. The Lead Free mark is put in front of the date code.