

Dimensions mm[inch]
 tolerances acc. to DIN ISO 2768-m
 Toleranzen gem. DIN ISO 2768-m

Isometric
 Scale 1:2
 Maßstab 1:2

Terminals
 ends tinned
 Enden verzinkt

Cable
 round cable LIYY 2x0,14 mm², grau
 colour of wires: white and brown
 Rundkabel LIYY 2x0,14 mm², grau
 Adernfarben: weiss und braun

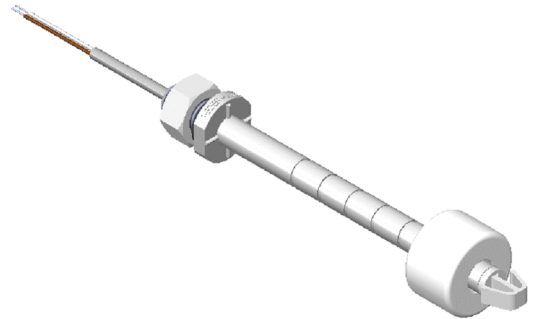
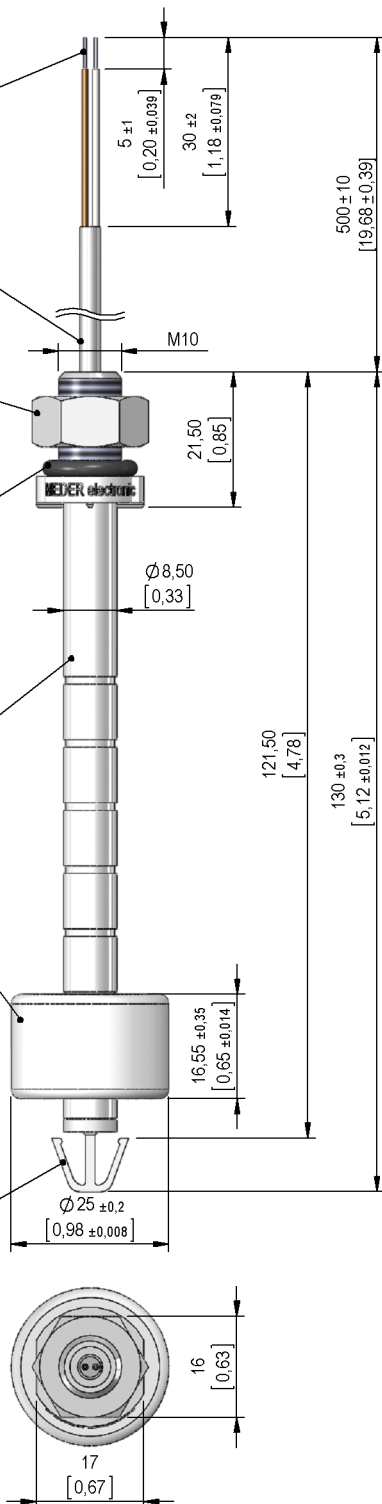
Nut
 polypropylene, white
 Mutter, Polypropylen, weiss

O-ring
 nitrile caoutchouc black
 O-ring Nitril Kautschuk schwarz

Stem
 polypropylene white
 Schaft Polypropylen weiss

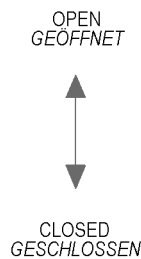
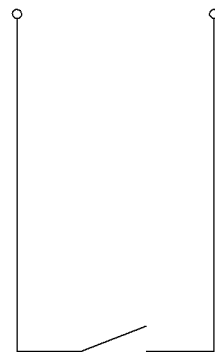
Float MS02
 polypropylene white
 Schwimmer MS02 Polypropylen weiss

Stopper
 polypropylene white
 Stopper Polypropylen weiss

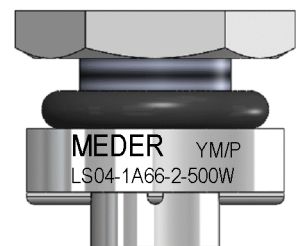


Switching scale

Schematic



Marking
 according to EN60062/Factory code
 gem. EN60062/Fertigungsstätte





Products for tomorrow...

Europe: +49 / 7731 8399 0 | Email: info@meder.com
USA: +1 / 508 295 0771 | Email: salesusa@meder.com
Asia: +852 / 2955 1682 | Email: salesasia@meder.com

Item No.:
9542662054
Item:
LS04-1A66-2-500W

Special Product Data	Conditions	Min	Typ	Max	Unit
Number of contacts		1			
Contact - form		A - NO			
Contact rating	Any DC combination of V & A not to exceed their individual max.'s			10	W
Switching voltage	DC or Peak AC			180	V
Carry current	DC or Peak AC			1,25	A
Switching current	DC or Peak AC			0,5	A
Sensor-resistance	measured with 40% overdrive			350	mOhm
Housing material LS		PP			
Material of float		PP			
Case colour		white			
Sealing compound		Polyurethan			
Reach / RoHS conformity		yes			

Environmental data	Conditions	Min	Typ	Max	Unit
Shock	1/2 sine, duration 11ms, in 3 axis			50	g
Vibration	from 10 - 2000 Hz			20	g
Operating temperature	cable not moved	-30		70	°C
Operating temperature	cable moved	-5		70	°C
Storage temperature		-30		70	°C

Cable specification	Conditions	Min	Typ	Max	Unit
Cable type		round cable			
Cable material		PVC			
Cross section		0,14 sq-mm			

General data	Conditions	Min	Typ	Max	Unit
Mounting advice		over 5m cable, a resistor is recommended.			

Modifications in the sense of technical progress are reserved

Designed at: 04.07.11 Designed by: DKUECHLER
Last Change at: 11.07.11 Last Change by: WKOVACS

Approval at: 11.07.11 Approval by: DKUECHLER
Approval at: 11.07.11 Approval by: DKUECHLER

Version: 02