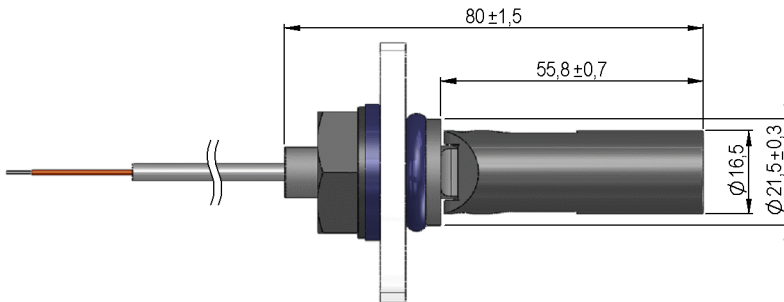
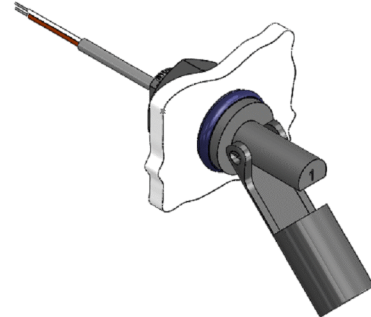


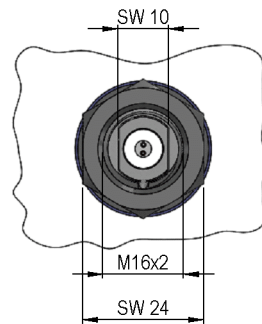
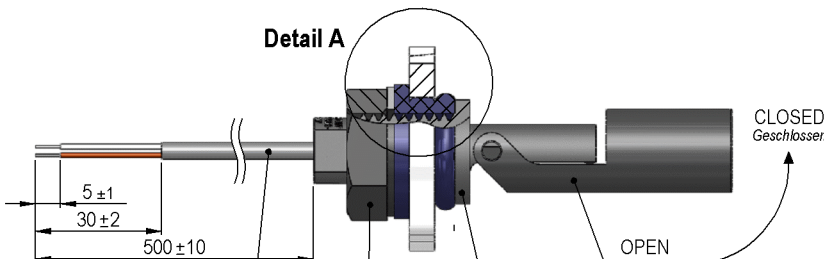
Dimensions (mm)
 tolerances according to DIN ISO 2768-m
 Toleranzen gem. DIN ISO 2768-m



Isometric
 Scale 1:2
 Maßstab 1:2



Detail A



Cable

round cable LIYY 2x0,14 mm², grey
 colour of wires: white and braun
 ends tinned
 Rundkabel LIYY 2x0,14 mm², grau
 Adernfarben: weiss und braun
 Enden verzinkt

Nut

polyamid, black
 Mutter-polyamid,
 schwarz

Stem

polyamid, black
 Schaft-Polyamid,
 schwarz

Float

polyamid, black
 Schwimmer-Polyamid,
 schwarz

Marking

according to EN60062/factory code
 gem. EN60062/Fertigungsstätte



Wall of reservoir

width: max. 5mm
 mounting hole: max. Ø 22-24mm
 Reservoirwand
 Breite: max. 5mm
 Montagebohrung: max. Ø 22-24mm

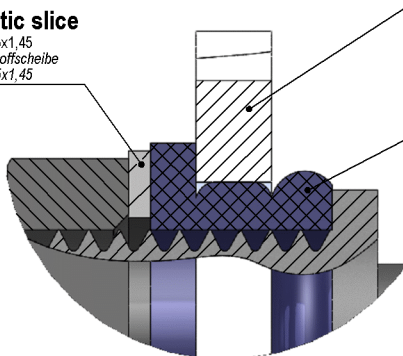
Detail A

Plastic slice

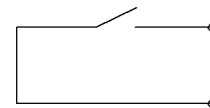
26x17,5x1,45
 Kunststoffscheibe
 26x17,5x1,45

Seal

to side wall
 of reservoir-NBR, black
 Montagedichtung
 zur Behälterseitenwand-NBR,
 schwarz



Schematic





Products for tomorrow...

Europe: +49 / 7731 8399 0 | Email: info@meder.com
USA: +1 / 508 295 0771 | Email: salesusa@meder.com
Asia: +852 / 2955 1682 | Email: salesasia@meder.com

Item No.:
9534197054
Item:
LS03/DL-1A66-PA-500W
LS03/DL-PA-BV97054

Special Product Data	Conditions	Min	Typ	Max	Unit
Contact rating	Any DC combination of V & A not to exceed their individual max.'s			10	W
Switching voltage	DC or Peak AC			180	V
Carry current	DC or Peak AC			1,25	A
Switching current	DC or Peak AC			0,5	A
Sensor-resistance	measured with 40% overdrive Sensor deactivated			290	mOhm
Housing material		Polyamid			
Case colour		black			
Sealing compound		Polyurethan			

Environmental data	Conditions	Min	Typ	Max	Unit
Operating temperature	cable not moved	-30		80	°C
Operating temperature	cable moved	-5		80	°C
Storage temperature		-30		80	°C
Safety class	DIN EN 60529	IP68			

Cable specification	Conditions	Min	Typ	Max	Unit
Cable type		round cable			
Cable material		PVC			
Cross section		0,14 sq-mm			

General data	Conditions	Min	Typ	Max	Unit
Mounting advice		over 5m cable, a resistor is recommended.			
Tightening torque				1	Nm

Modifications in the sense of technical progress are reserved

Designed at: 20.07.09 Designed by: WKOVACS
Last Change at: 16.07.10 Last Change by: KSTOPPEL

Approval at: 21.07.09 Approval by: DKUECHLER
Approval at: 13.12.10 Approval by: DKUECHLER

Rev. No.: 05