

## Specifications

Insulation Resistance:	1,000MΩ min. at 500V DC
Dielectric Withstanding Voltage:	700V AC for 1 minute
Contact Resistance:	30mΩ max. at 10mA/20mV max.
Operating Temperature Range:	-55°C to +170°C
Mating Cycles:	10,000 insertions minimum
Pin Count:	184 contact pins

## Materials and Finish

Housing: Polyetherimide (PEI), glass-filled  
 Contacts: Beryllium Copper (BeCu)  
 Plating: Gold over Nickel

## Features

- ⇨ Card thickness 1.27mm
- ⇨ For 184 contact pins with 1.27mm pitch



## Part Number (Details)

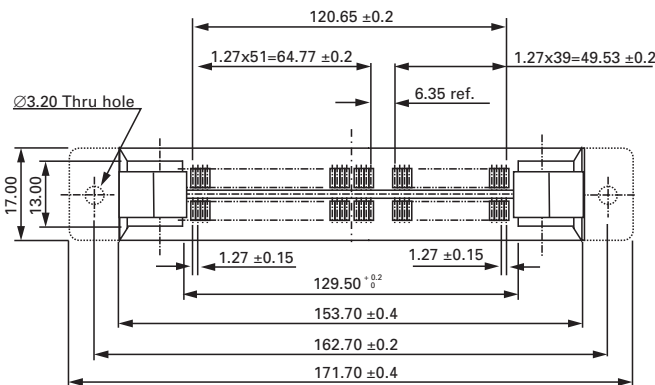
**IC-589 - 1 - MF**

Series No.

Design No.

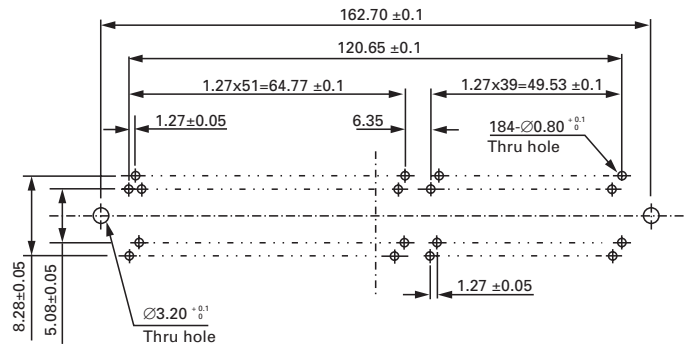
MF = Flanged  
 Unmarked = Not Flanged

## Outline Socket Dimensions



## Recommended PC Board Layout

Top View from Socket



## Matching Module Dimensions

