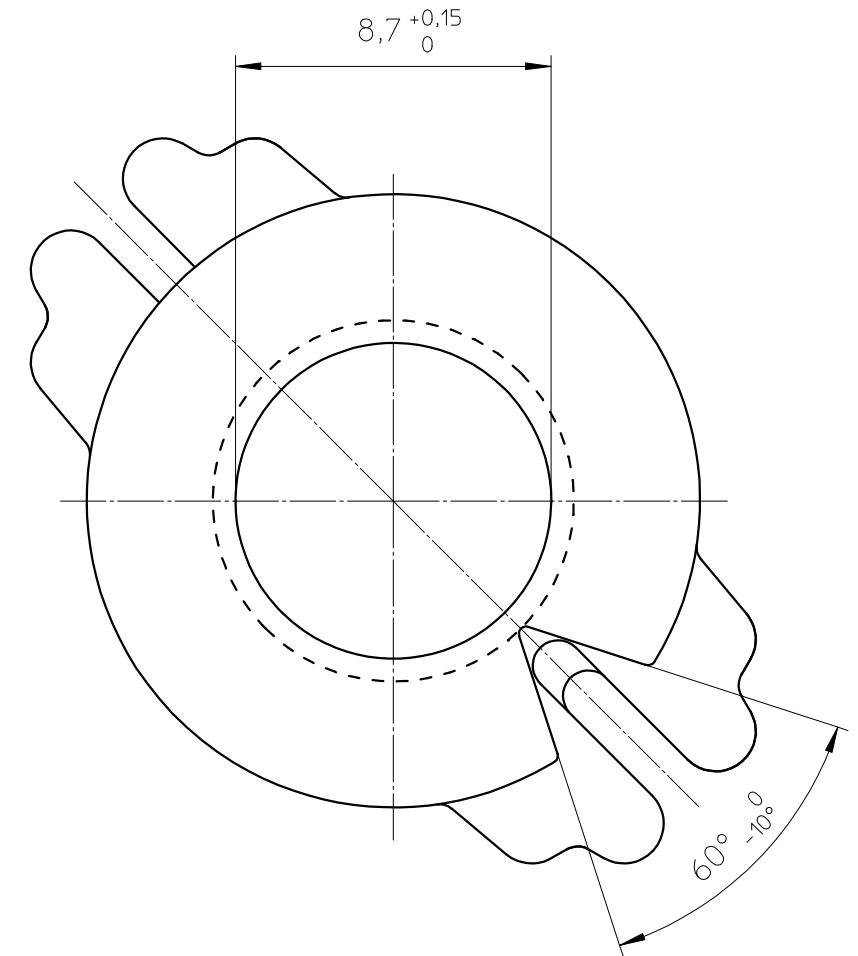
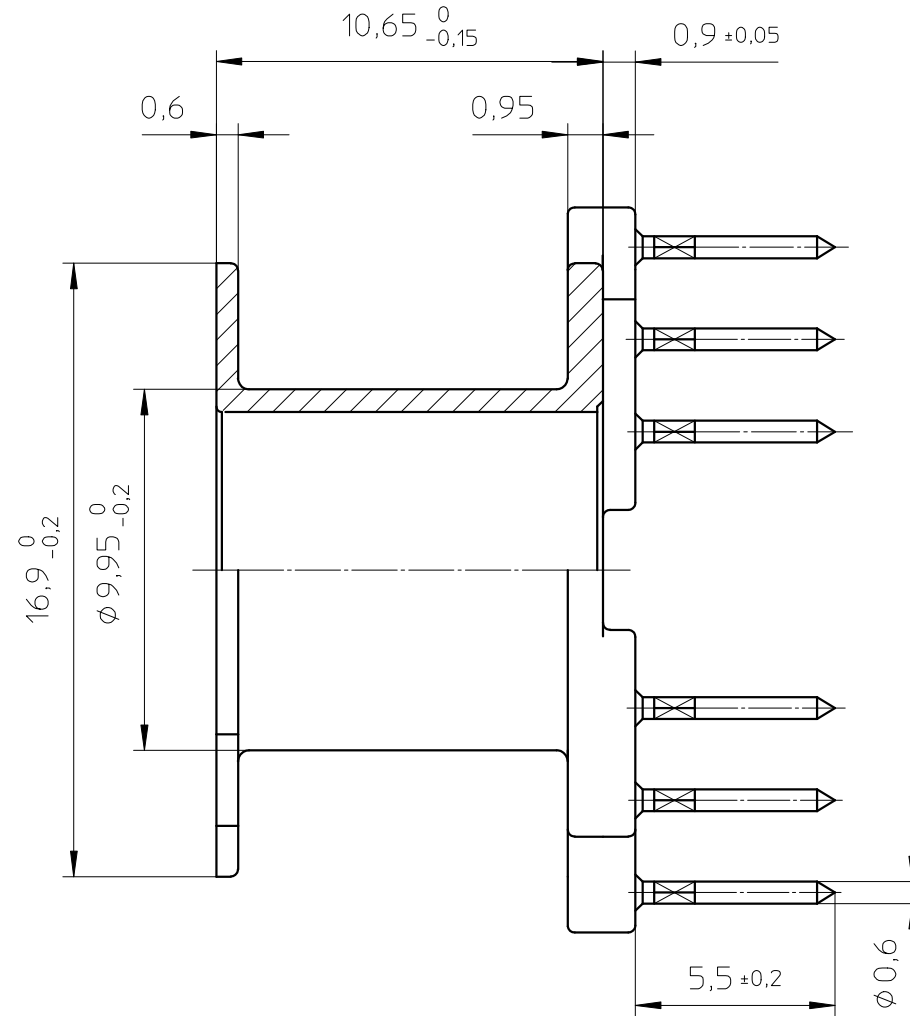
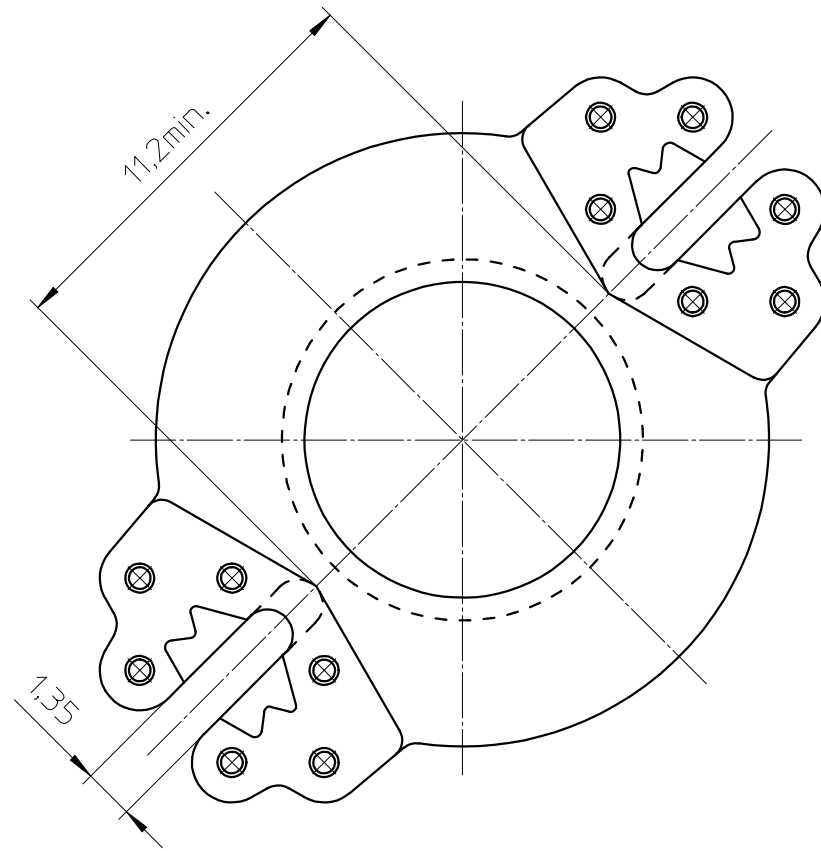
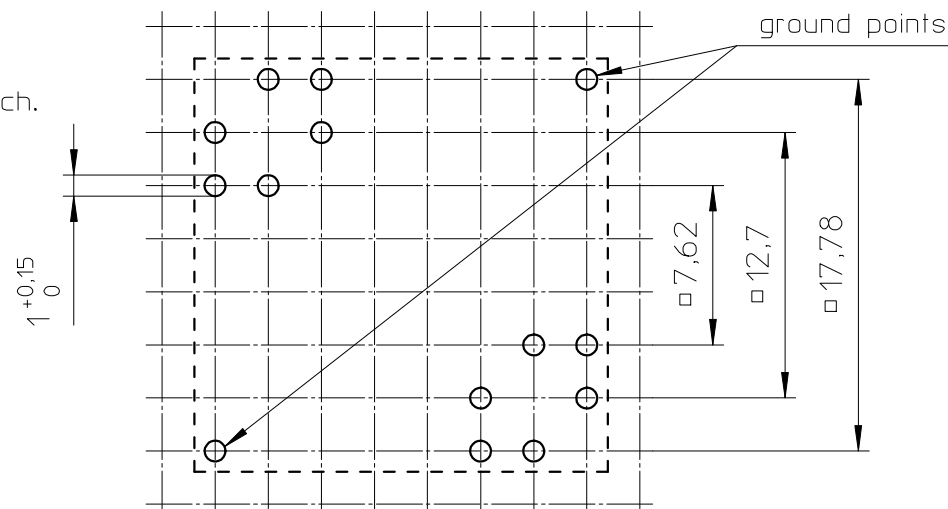


FERROXCUBE



HOLE PATTERN:

Space requirement 8x8 pitch.



Coil former material: Bakelite UP 3420 (UP), glass-reinforced.
 UL file number: E61040 - UL94V-0.
 Pin material: CuSn - Ni flash, Sn plated.
 Max. operating temp.: acc. to IEC 60 085 class H, 180°C.
 Resistance to soldering heat: acc. to IEC 60 068-2-20 Part 2, Test Tb, method 1B, 350°C - 3,5sec.
 Solderability: acc. to IEC 60 068-2-20 Part 2, Test Ta, method 1, 235°C - 2sec.
 Min. winding area: 30 mm².
 Mean length of turn: 42 mm.

CLASS.NO.	04-09-28	
	05-09-01	
	00-05-10	
	00-08-01	
	02-04-04	
NAME NAAM	M.Veekens	SUPERS. VERV.
MPA	CHECK CONTR.	DAT.
	94-06-17	Property of Eigendom van
	1	SH SH BL BL
	112 - 001	010
		A3

CSV-RM8-1S-12P-G

4322 021 00841

© FERROXCUBE 2000