

CMPS5061  
 CMPS5062  
 CMPS5063  
 CMPS5064

**SURFACE MOUNT  
 SILICON CONTROLLED RECTIFIER**



**SOT-23 CASE**



[www.centralemi.com](http://www.centralemi.com)

**DESCRIPTION:**

The CENTRAL SEMICONDUCTOR CMPS5061 Series types are epoxy molded PNP Silicon Controlled Rectifiers manufactured in an SOT-23 case, designed for control systems and sensing circuit applications.

**MARKING CODE: CMPS5061: P2A  
 CMPS5062: P2B  
 CMPS5063: P2C  
 CMPS5064: P2D**

<b>MAXIMUM RATINGS:</b> ( $T_A=25^\circ\text{C}$ )	<b>SYMBOL</b>	<b>CMPS5061</b>	<b>CMPS5062</b>	<b>CMPS5063</b>	<b>CMPS5064</b>	<b>UNITS</b>
Peak Repetitive Off-State Voltage	$V_{DRM}$	100	200	300	400	V
Peak Repetitive Reverse Voltage	$V_{RRM}$	100	200	300	400	V
RMS On-State Current	$I_{T(RMS)}$		0.25			A
Average On-State Current	$I_{T(AV)}$		0.16			A
Power Dissipation	$P_D$		350			mW
Operating Junction Temperature	$T_J$		-65 to +125			$^\circ\text{C}$
Storage Temperature	$T_{stg}$		-65 to +150			$^\circ\text{C}$
Thermal Resistance	$\theta_{JA}$		286			$^\circ\text{C/W}$

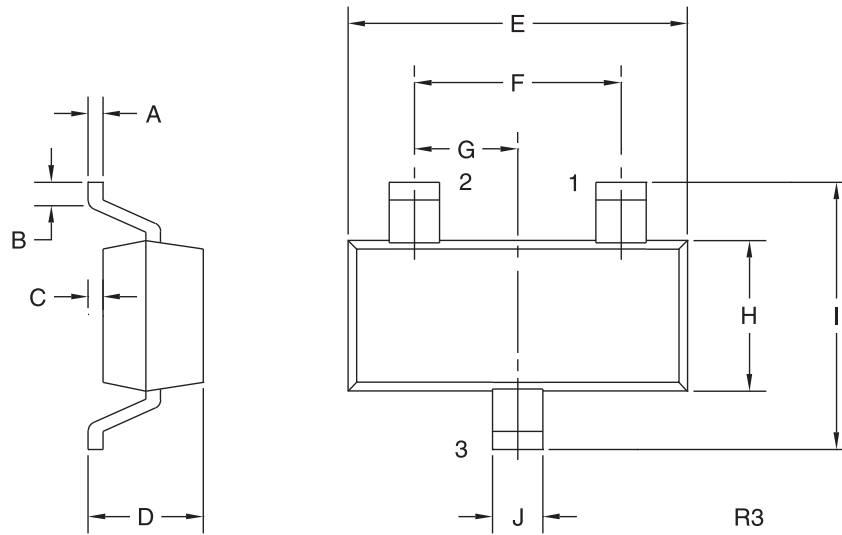
<b>ELECTRICAL CHARACTERISTICS:</b> ( $T_A=25^\circ\text{C}$ )		<b>CMPS5061</b>	<b>CMPS5062</b>	<b>CMPS5063</b>	<b>CMPS5064</b>	<b>UNITS</b>
<b>SYMBOL</b>	<b>TEST CONDITIONS</b>	<b>MIN</b>	<b>MAX</b>	<b>MIN</b>	<b>MAX</b>	
$I_{DRM}$	$V_D = \text{Rated } V_{DRM}, R_{GK} = 1.0\text{K}\Omega$	-	1.0	-	1.0	$\mu\text{A}$
$I_{RRM}$	$V_D = \text{Rated } V_{DRM}, R_{GK} = 1.0\text{K}\Omega$	-	1.0	-	1.0	$\mu\text{A}$
$I_{DRM}$	$V_D = \text{Rated } V_{DRM}, R_{GK} = 1.0\text{K}\Omega, T_C = 125^\circ\text{C}$	-	50	-	50	$\mu\text{A}$
$I_{RRM}$	$V_D = \text{Rated } V_{DRM}, R_{GK} = 1.0\text{K}\Omega, T_C = 125^\circ\text{C}$	-	50	-	50	$\mu\text{A}$
$V_{TM}$	$I_T = 1.2\text{A}$	-	1.7	-	1.7	V
$I_{GT}$	$V_D = 7.0\text{V}, R_L = 100\Omega$	-	200	-	200	$\mu\text{A}$
$V_{GT}$	$V_D = 7.0\text{V}, R_L = 100\Omega$	-	0.8	-	0.8	V
$V_{GD}$	$V_D = \text{Rated } V_{DRM}, R_L = 100\Omega, T_C = 125^\circ\text{C}$	0.1	-	0.1	-	V
$I_H$	$R_{GK} = 1.0\text{K}\Omega$	-	5.0	-	5.0	$\text{mA}$
$t_{on}$	$V_D = \text{Rated } V_{DRM}, I_{GT} = 1.0\text{mA}, R_{GK} = 1.0\text{K}\Omega, di/dt = 6.0\text{A}/\mu\text{s}$		2.8 TYP		2.8 TYP	$\mu\text{s}$

CMPS5061  
 CMPS5062  
 CMPS5063  
 CMPS5064



**SURFACE MOUNT  
 SILICON CONTROLLED RECTIFIER**

**SOT-23 CASE - MECHANICAL OUTLINE**



**LEAD CODE:**

- 1) Cathode
- 2) Gate
- 3) Anode

**MARKING CODES:**

- CMPS5061: P2A
- CMPS5062: P2B
- CMPS5063: P2C
- CMPS5064: P2D

DIMENSIONS				
SYMBOL	INCHES		MILLIMETERS	
	MIN	MAX	MIN	MAX
A	0.003	0.007	0.08	0.18
B	0.006	-	0.15	-
C	-	0.005	-	0.13
D	0.035	0.043	0.89	1.09
E	0.110	0.120	2.80	3.05
F	0.075		1.90	
G	0.037		0.95	
H	0.047	0.055	1.19	1.40
I	0.083	0.098	2.10	2.49
J	0.014	0.020	0.35	0.50

SOT-23 (REV: R3)

R10 (11-February 2011)