

**PLEASE CHECK WWW.MOLEX.COM FOR LATEST PART INFORMATION**

**Part Number:** [0039302038](#)  
**Status:** **Active**  
**Overview:** [minifit\\_jr](#)  
**Description:** 4.20mm (.165") Pitch Mini-Fit Jr.™ Header, Single Row, Vertical, with Snap-in Plastic Peg PCB Lock, 3 Circuits, PA Polyamide Nylon 6/6, UL 94V-0, 0.76µm (30µ") Gold (Au) Selective Plating, with Drain Holes

**Documents:**

[3D Model](#) [Product Specification PS-5556-001 \(PDF\)](#)  
[Drawing \(PDF\)](#) [RoHS Certificate of Compliance \(PDF\)](#)

**Agency Certification**

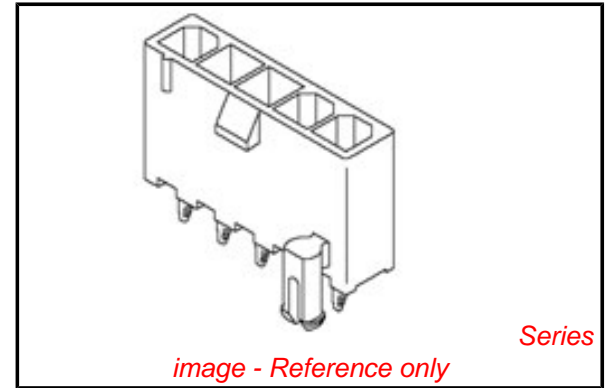
CSA	LR19980
TUV	R72081037
UL	E29179

**General**

Product Family	PCB Headers
Series	<a href="#">5566</a>
Application	Wire-to-Board
Comments	Current = 13A max. per circuit when header is mated to a receptacle loaded with <a href="#">45750</a> Mini-Fit Plus HCS™ Crimp Terminal Crimped to to 16 AWG wire. . See Molex product specification PS-45750-001 for additional current de-rating information.. High Temperature, Square Pin, Solder Type
Overview	<a href="#">minifit_jr</a>
Product Name	Mini-Fit Jr.™

**Physical**

Breakaway	No
Circuits (Loaded)	3
Circuits (maximum)	3
Color - Resin	Natural
Durability (mating cycles max)	30
First Mate / Last Break	No
Flammability	94V-0
Glow-Wire Compliant	No
Guide to Mating Part	No
Keying to Mating Part	None
Lock to Mating Part	Yes
Material - Metal	Brass
Material - Plating Mating	Gold
Material - Plating Termination	Tin
Material - Resin	Nylon
Number of Rows	1
Orientation	Vertical
PC Tail Length (in)	0.138 In
PC Tail Length (mm)	3.50 mm
PCB Locator	Yes
PCB Retention	Yes
PCB Thickness Recommended (in)	0.062 In
PCB Thickness Recommended (mm)	1.60 mm
Packaging Type	Tray
Pitch - Mating Interface (in)	0.165 In
Pitch - Mating Interface (mm)	4.20 mm



**EU RoHS**

**ELV and RoHS Compliant**  
**REACH SVHC**  
 Not Reviewed  
**Halogen-Free Status**

**China RoHS**



**Halogen-Free**

**Need more information on product environmental compliance?**

Email [productcompliance@molex.com](mailto:productcompliance@molex.com)  
 For a multiple part number RoHS Certificate of Compliance, [click here](#)

Please visit the [Contact Us](#) section for any non-product compliance questions.

**Search Parts in this Series**

[5566Series](#)

**Mates With**

[5557](#) Mini-Fit Jr.™ Receptacle Housing

Pitch - Term. Interface (in)	0.165 In
Pitch - Term. Interface (mm)	4.20 mm
Plating min: Mating (µin)	30.4
Plating min: Mating (µm)	0.76
Plating min: Termination (µin)	101.6
Plating min: Termination (µm)	2.54
Polarized to Mating Part	Yes
Polarized to PCB	Yes
Shrouded	Fully
Stackable	No
Surface Mount Compatible (SMC)	No
Temperature Range - Operating	-40°C to +105°C
Termination Interface: Style	Through Hole

### Electrical

Current - Maximum per Contact	13A
Voltage - Maximum	600V

### Solder Process Data

Duration at Max. Process Temperature (seconds)	5
Lead-free Process Capability	Wave Capable (TH only)
Max. Cycles at Max. Process Temperature	1
Process Temperature max. C	240

### Material Info

Old Part Number	A556603B3GS210
-----------------	----------------

### Reference - Drawing Numbers

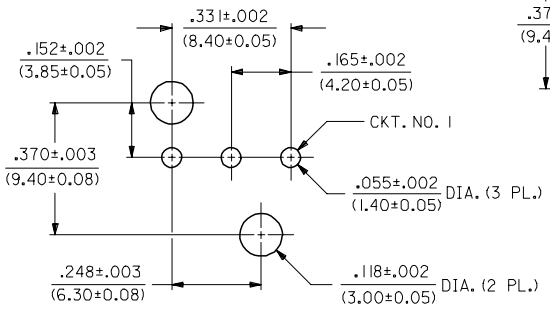
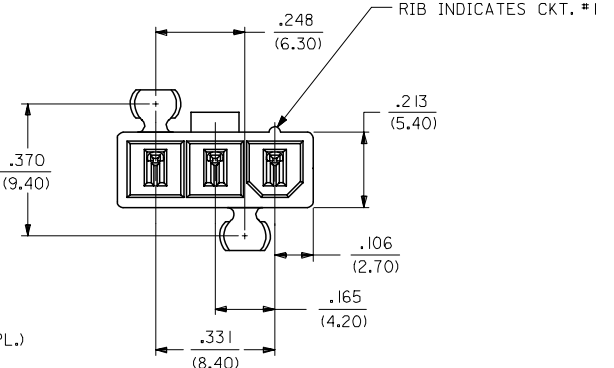
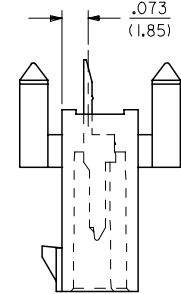
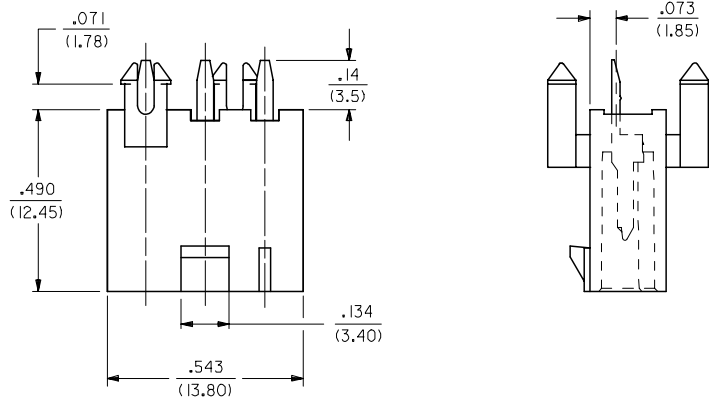
Packaging Specification	PK-5566-002
Product Specification	PS-5556-001
Sales Drawing	SDA-5566-03*3*
Test Summary	TS-5556-002

This document was generated on 05/21/2010

**PLEASE CHECK [WWW.MOLEX.COM](http://WWW.MOLEX.COM) FOR LATEST PART INFORMATION**

- NOTES:
- MATERIALS:  
HOUSING:  
"BLANK"=NYLON 6/6, UL94 V-2, COLOR: NATURAL  
"210"=NYLON 6/6, UL94 V-0, COLOR: NATURAL  
TERMINALS:  
BRASS
  - TERMINAL PLATING:  
"BLANK"=.000035/(0.00090) MIN. BRIGHT TIN OVER  
.000020/(0.00050) MIN. COPPER  
\*GS2=.000015/(0.00038) MIN. SELECT GOLD AND  
.000100/(0.00254) MIN. SELECT MATTE TIN  
OVER .000050/(0.00127) MIN. NICKEL OVERALL  
\*GS=.000030/(0.00076) MIN. SELECT GOLD AND  
.000100/(0.00254) MIN. SELECT MATTE TIN  
OVER .000050/(0.00127) MIN. NICKEL OVERALL  
S=.000100/(0.00254) MIN. BRIGHT TIN OVER  
.000050/(0.00127) MIN. NICKEL  
\*THE PRIMARY SHIPPING CARTON WILL BE LABELED  
"ELV AND RoHS COMPLIANT"; CARTONS WITHOUT  
THIS LABEL MAY CONTAIN PRODUCT WITH  
TIN-LEAD PLATING.
  - PRODUCT SPECIFICATION: PS-5566-001
  - PACKAGING: TRAY PACKED PER PK-5566-002
  - PART MATES WITH MINI-FIT JR. RECEPTACLE NO. 5557.
  - ALL DIMENSIONS ARE REFERENCE UNLESS OTHERWISE SPECIFIED.
  - PART IS NOT DESIGNED FOR CURRENT SHARING.
  - PARTS ARE NOT TO BE MATED OR UN-MATED WHILE CIRCUITS ARE LIVE.
  - PART CONFORMS TO CLASS 'B' REQUIREMENTS OF COSMETIC SPECIFICATION PS-45499-002.

PART NO.	ENG. NO.	ASS'Y. TYPE	HOUSING MAT'L. (SEE NOTE 1)	PLATING (SEE NOTE 2)
39-30-1039	5566-03A3	A	"BLANK"	"BLANK"
39-30-2033	-03A3GS2	A	↑	GS2
39-30-2031	-03A3GS	A	↑	GS
39-30-5037	-03A3S	A	↑	S
39-30-2035	-03B3	B	↑	"BLANK"
39-30-2039	-03B3GS2	B	↑	GS2
39-30-2037	-03B3GS	B	↑	GS
39-30-5039	-03B3S	B	"BLANK"	S
39-30-2030	-03A3-210	A	210	"BLANK"
39-30-2034	-03A3GS2-210	A	↑	GS2
39-30-2032	-03A3GS-210	A	↑	GS
39-30-5038	-03A3S-210	A	↑	S
39-30-2036	-03B3-210	B	↑	"BLANK"
39-30-3030	-03B3GS2-210	B	↑	GS2
39-30-2038	-03B3GS-210	B	↑	GS
39-30-6030	5566-03B3S-210	B	210	S



LEGEND

5566-03\*3\*-\*\*\*

BASE NO. \_\_\_\_\_

CIRCUIT SIZE \_\_\_\_\_

ASS'Y. TYPE \_\_\_\_\_

A = WITHOUT DRAIN HOLES  
B = WITH DRAIN HOLES

MOUNTING \_\_\_\_\_

3 = PEGS

PLATING \_\_\_\_\_  
(SEE NOTE 2)

HOUSING MATERIAL \_\_\_\_\_  
(SEE NOTE 1)

RECOMMENDED HOLE LAYOUT FOR  
.070/(1.78) MAX. THICK P. C. BOARD

TRAY PACKAGING EC NO: UCP2008-0153 DRWNL: SUSHI DT 2007/09/26 CHKD: ADERR 2007/09/26 APPR: FSN TH 2007/09/26 REV DESCRIPTION	QUALITY SYMBOLS ▽=0 ▽=0	GENERAL TOLERANCES (UNLESS SPECIFIED) mm INCH 4 PLACES ± --- ± --- 3 PLACES ± --- ± .010 2 PLACES ± 0.25 ± .015 1 PLACE ± 0.38 ± --- ANGULAR ±1/2°	DIMENSION STYLE IN/MM DRAWN BY DATE GEP 1990/06/07 CHECKED BY DATE RJF 1990/06/07 APPROVED BY DATE RAS 1990/06/07	SCALE 4:1 DESIGN UNITS METRIC THIRD ANGLE PROJECTION	MINI-FIT JR. VERT. HDR. ASSY. W/PEGS, WITH & W/O DRAIN HOLES (SINGLE ROW)	MATERIAL NO. SDA-5566-03*3*	DOCUMENT NO. SHEET NO. 1 OF 1
	DRAFT WHERE APPLICABLE MUST REMAIN WITHIN DIMENSIONS		SEE CHART		MOLEX MOLEX INCORPORATED		