

PLEASE CHECK WWW.MOLEX.COM FOR LATEST PART INFORMATION

Part Number: [0039036152](#)
Status: **Active**
Overview: [standard_093](#)
Description: 2.36mm (.093") Diameter Standard .093" Pin and Socket Plug Housing With Positive Latch, UL 94V-2, 15 Circuits

Documents:

[3D Model](#) [Product Specification PS-3191-005 \(PDF\)](#)
[Drawing \(PDF\)](#) [RoHS Certificate of Compliance \(PDF\)](#)
[Product Specification PS-3191-001 \(PDF\)](#)

Agency Certification

CSA LR19980
TUV R72081037
UL E29179

General

Product Family Crimp Housings
Series [3191](#)
Comments Polarized to Mating Part
Overview [standard_093](#)
Product Name Standard .093"

Physical

Breakaway No
Circuits (maximum) 15
Circuits Detail 3x5
Color - Resin Natural
Flammability 94V-2
Gender Dual
Glow-Wire Compliant No
Keying to Mating Part None
Lock to Mating Part Yes
Material - Resin Nylon
Number of Rows 3
Packaging Type Bag
Panel Mount No
Pitch - Mating Interface (in) 0.264 In
Pitch - Mating Interface (mm) 6.71 mm
Polarized to Mating Part Yes
Stackable No
Temperature Range - Operating -40°C to +105°C

Electrical

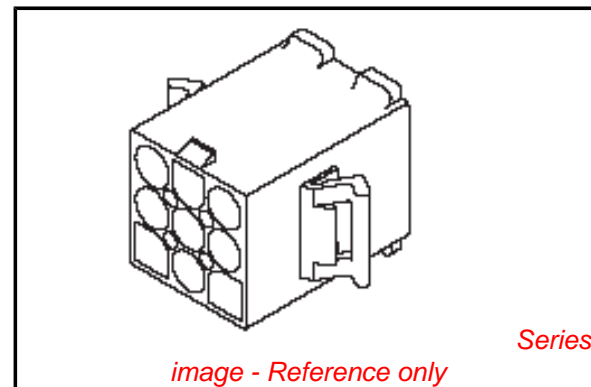
Current - Maximum per Contact 6A

Material Info

Old Part Number 3191-15P1

Reference - Drawing Numbers

Packaging Specification SPK-3191-001
Product Specification PS-3191-001, PS-3191-005, RPS-3191-001
Sales Drawing SD-3191-15P1-*



EU RoHS

ELV and RoHS Compliant
REACH SVHC Contains SVHC: No
Halogen-Free Status
Not Reviewed

China RoHS



Need more information on product environmental compliance?

Email productcompliance@molex.com
For a multiple part number RoHS Certificate of Compliance, [click here](#)

Please visit the [Contact Us](#) section for any non-product compliance questions.

Search Parts in this Series

[3191Series](#)

Mates With

[3191](#) Pin and Socket Rectacle, [5219](#) Vertical PCB Header

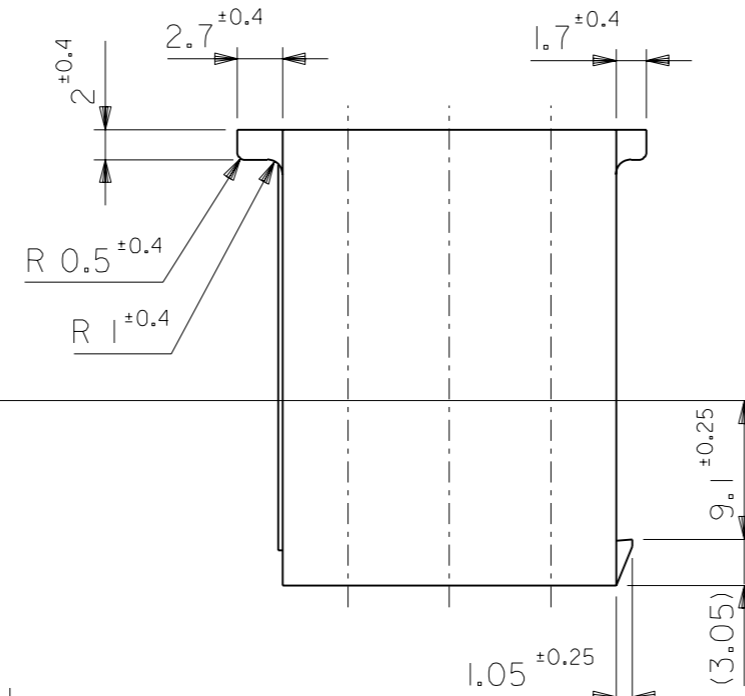
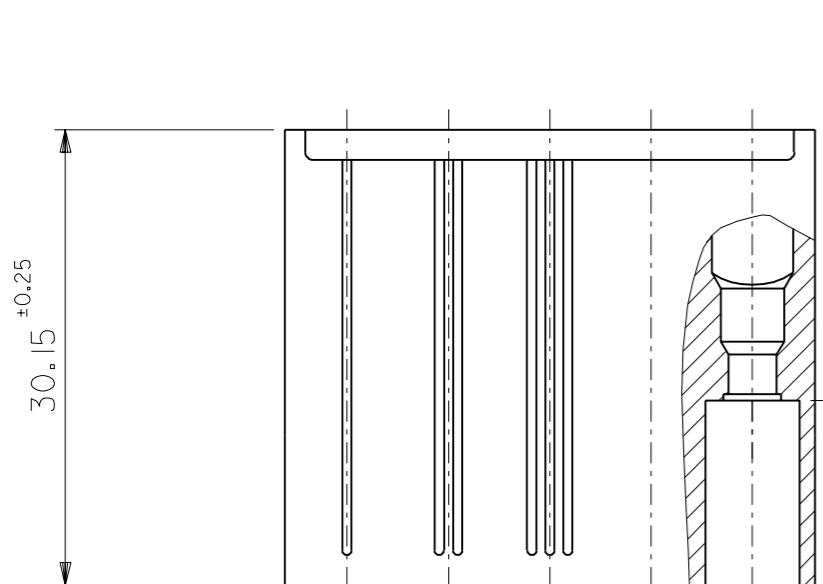
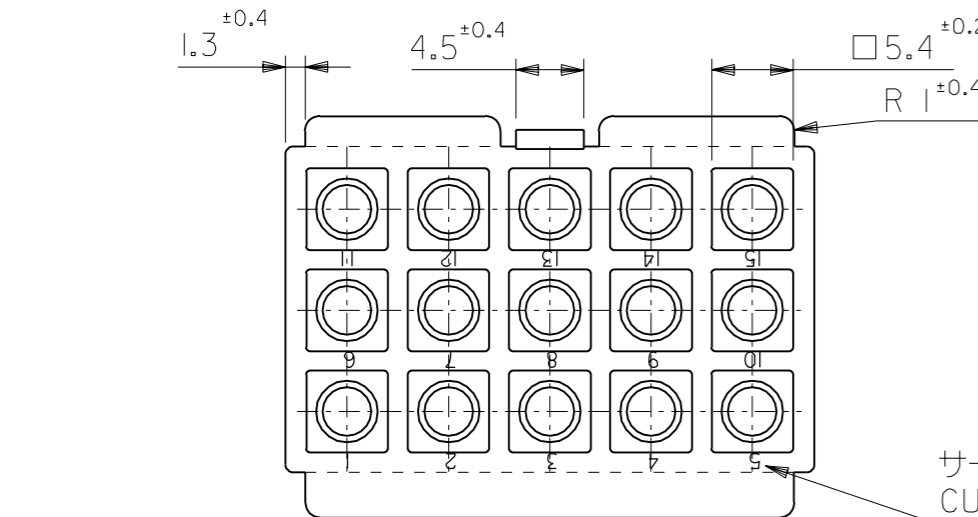
Use With

[1189](#) Crimp Terminals, [1190](#) Crimp Terminals, [1380](#) Male Crimp Terminals, [1381](#) Female Crimp Terminals, [1433](#) Crimp Terminals, [1434](#) Male Crimp Terminals, [2605](#) , [2606](#) , [1973](#) , [2151](#) , [2273](#) , [2870](#) , [2871](#) , [4272](#) , Lin

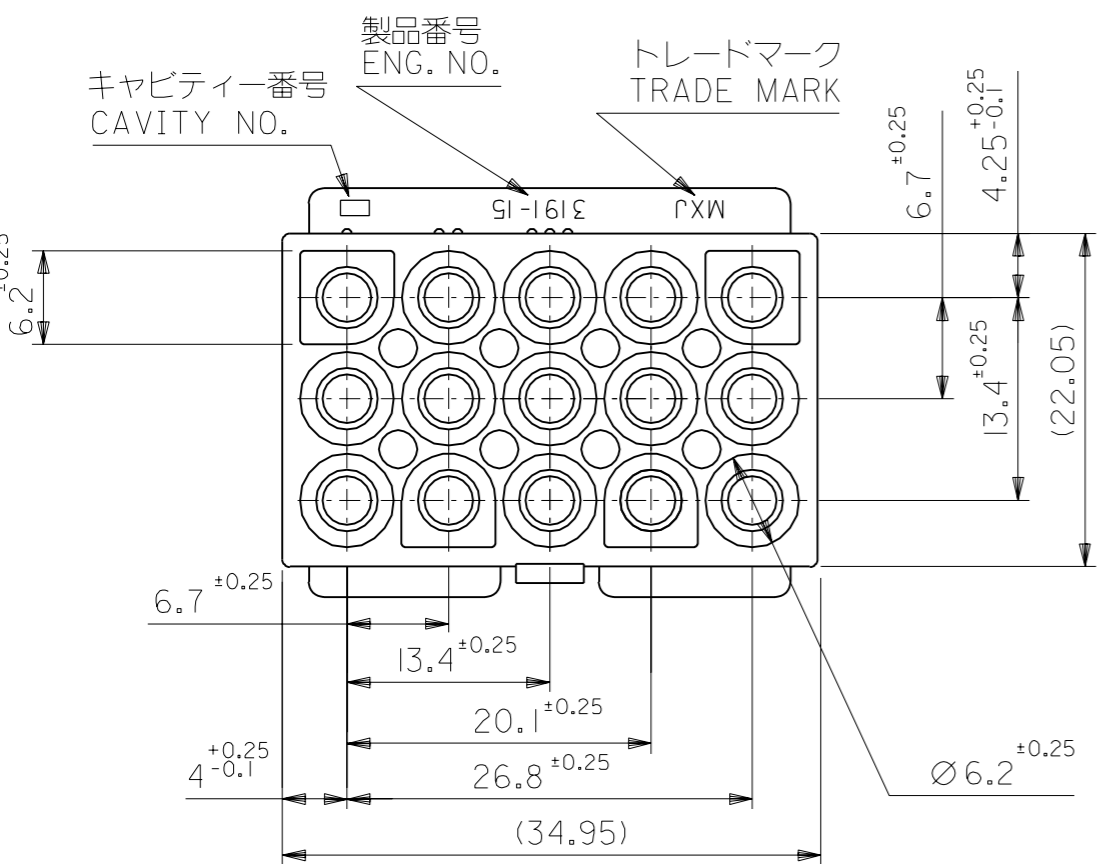
PLEASE CHECK WWW.MOLEX.COM FOR LATEST PART INFORMATION

DWG. NO. SD-3191-15PI-*

ALL DIMENSIONS IN METRIC DO NOT SCALE DRAWING



注記
NOTE
() 内寸法は参考値
DIMENSIONS IN () ARE REFERENCE



39-03-6153	3191-15PI-201	NYLON66	94V-0
39-03-6152	3191-15PI	NYLON66	94V-2
EDP. NO.	ENG. NO.	MATERIAL	UL

材料 MATERIAL	表参照 SEE CHART	MOLEX-JAPAN CO.,LTD. 日本モレックス株式会社
仕上げ FINISH	—	
適用電線範囲 WIRE RANGE	—	REVISE ONLY ON CAD SYSTEM
被覆外径 INS. RANGE	—	TITLE 名称
DRAWN BY '96/06/26 H.IIJIMA		15 CKT. PLUG HS'G. (.093 DIA. TERMINAL)
CHK'D BY '96/06/26 M.FUKUSHIMA		
APP'D BY '96/06/26 M.ENOMOTO		DWG. NO.
尺 度 SCALE 2 : 1		SD-3191-15PI-*
		REV
		K

角度 ANGLE	±3°
30 以上 OVER	±0.3
10 以上 30 未満 OVER UNDER	±0.25
10 未満 UNDER	±0.2
一般公差 GENERAL TOLERANCES	