

PLEASE CHECK WWW.MOLEX.COM FOR LATEST PART INFORMATION

Part Number: [0039036060](#)
Status: **Active**
Overview: [standard_093](#)
Description: 2.36mm (.093") Diameter Standard .093" Pin and Socket Plug Housing With Positive Latch, UL 94V-2, Panel Mount, 6 Circuits

Documents:

[3D Model](#) [Product Specification PS-3191-001 \(PDF\)](#)
[Drawing \(PDF\)](#) [RoHS Certificate of Compliance \(PDF\)](#)

Agency Certification

CSA LR19980
TUV R72081037
UL E29179

General

Product Family Crimp Housings
Series [3191](#)
Comments Polarized to Mating Part
Overview [standard_093](#)
Product Name Standard .093"

Physical

Breakaway No
Circuits (maximum) 6
Circuits Detail 2x3
Color - Resin Natural
Flammability 94V-2
Gender Dual
Glow-Wire Compliant No
Keying to Mating Part None
Lock to Mating Part Yes
Material - Resin Nylon
Number of Rows 2
Packaging Type Bag
Panel Mount Yes
Pitch - Mating Interface (in) 0.264 In
Pitch - Mating Interface (mm) 6.71 mm
Polarized to Mating Part Yes
Stackable No
Temperature Range - Operating -40°C to +105°C

Electrical

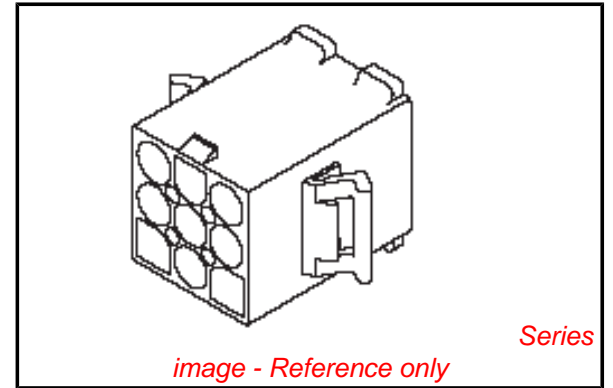
Current - Maximum per Contact 9A

Material Info

Old Part Number 3191-06P

Reference - Drawing Numbers

Packaging Specification SPK-3191-001
Product Specification PS-3191-001
Sales Drawing SD-3191-06P-*



EU RoHS

ELV and RoHS Compliant
REACH SVHC Contains SVHC: No
Halogen-Free Status
Not Reviewed

China RoHS



Need more information on product environmental compliance?

Email productcompliance@molex.com
For a multiple part number RoHS Certificate of Compliance, [click here](#)

Please visit the [Contact Us](#) section for any non-product compliance questions.

Search Parts in this Series

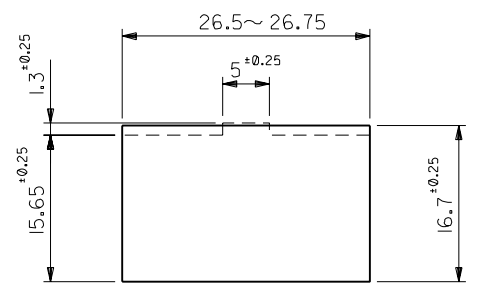
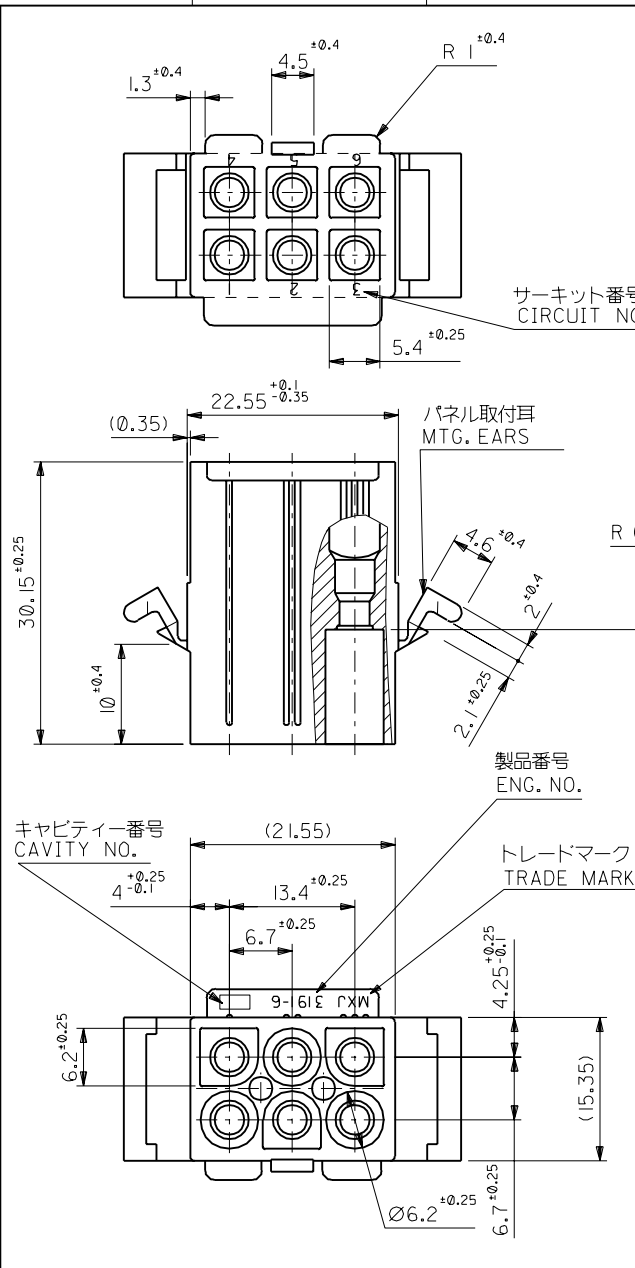
[3191Series](#)

Mates With

[3191](#) Pin and Socket Rectacle, [5219](#) Vertical PCB Header

Use With

[1189](#) Crimp Terminals, [1190](#) Crimp Terminals, [1380](#) Male Crimp Terminals, [1381](#) Female Crimp Terminals, [1433](#) Crimp Terminals, [1434](#) Male Crimp Terminals, [2605](#) , [2606](#) , [1973](#) , [2151](#) , [2273](#) , [2870](#) , [2871](#) , [4272](#) , Lin



パネル取付穴推奨寸法 (厚さ2.0最大)
 ハウジングの装着はパネル穴打抜き方向より行うこと
 RECOMMENDED PANEL HOLE DIMENSION (THK. 2.0 MAX.)
 ATTACH THE HOUSING FROM THE DIRECTION OF
 PANEL HOLE PUNCHED OUT.

注記
 NOTE
 () 内寸法は参考値
 DIMENSIONS IN () ARE REFERENCE

39-03-6061	3191-06P-201	NYLON66	94V-0
39-03-6060	3191-06P	NYLON66	94V-2
EDP. NO.	ENG. NO.	MATERIAL	UL

角度 ANGLE	±3°	再作図 REDRAW	再作日 DATE	材料 MATERIAL	表参照 SEE CHART
30以上 OVER	+0.3	変更内容 REVISION RECORD	日付 DATE	仕上げ FINISH	—
10以上 30未満 OVER 30 UNDER	+0.25	記号 LTR	DR. CHK.	適用電線範囲 WIRE RANGE	—
10未満 UNDER	+0.2	変更内容 REVISION RECORD	DR. CHK.	被覆外径 INS. RANGE	—
一般公差 GENERAL TOLERANCES		変更内容 REVISION RECORD	DR. CHK.	DRAWN BY '96/06/24 H.IIJIMA	CHK'D BY '96/06/24 M.FUKUSHIMA

材料 MATERIAL 表参照 SEE CHART		molex MOLEX-JAPAN CO.,LTD. 日本モレックス株式会社
仕上げ FINISH —		
適用電線範囲 WIRE RANGE —		REVISE ONLY ON CAD SYSTEM
被覆外径 INS. RANGE —		TITLE 名称
DRAWN BY '96/06/24 H.IIJIMA		6 CKT. PLUG HS'G. (.093 DIA. TERMINAL)
CHK'D BY '96/06/24 M.FUKUSHIMA		DWG. NO.
APP'D BY '96/06/24 M.ENOMOTO		SD-3191-06P-*
尺度 SCALE 2:1		REV
		J