

PLEASE CHECK WWW.MOLEX.COM FOR LATEST PART INFORMATION

Part Number: [0038002402](#)
Status: **Active**
Overview: [kk](#)
Description: 2.54mm (.100") Pitch KK® Connector, IDT, High Pressure Cat Ear Contact System, Green ID Stripe, 12 Circuit

Documents:

[Drawing \(PDF\)](#) [Product Specification PSX-7690S \(PDF\)](#)
[Product Specification PS-99020-0088 \(PDF\)](#) [RoHS Certificate of Compliance \(PDF\)](#)

Agency Certification

UL E29179

General

Product Family IDT and Solder Connectors
 Series [7690](#)
 Comments Version H
 Crimp Quality Equipment Yes
 Overview [kk](#)
 Product Name KK®

Physical

Circuits (Loaded) 12
 Color - Resin Natural
 Durability (mating cycles max) 25
 Flammability 94V-2
 Gender Female
 Glow-Wire Compliant No
 Lock to Mating Part Yes
 Material - Metal Brass
 Material - Plating Mating Tin
 Material - Plating Termination Tin
 Material - Resin Nylon
 Number of Rows 1
 Packaging Type Bag
 Panel Mount No
 Pitch - Mating Interface (in) 0.100 In
 Pitch - Mating Interface (mm) 2.54 mm
 Plating min: Mating (µin) 40
 Plating min: Mating (µm) 1.00
 Plating min: Termination (µin) 40
 Plating min: Termination (µm) 1.00
 Temperature Range - Operating 0°C to +75°C
 Wire Size AWG 24 Stranded, 26 Solid, 26 Stranded Topcoat

Electrical

Current - Maximum per Contact 2.5A
 Voltage - Maximum 250V

Solder Process Data

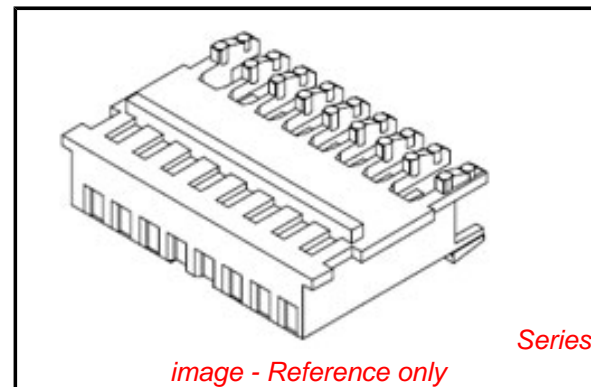
Lead-free Process Capability Wave Capable (TH only)

Material Info

Old Part Number 7690SC12H

Reference - Drawing Numbers

Product Specification PS-99020-0088, PSX-7690S



EU RoHS

**ELV and RoHS
Compliant**
REACH SVHC
 Not Reviewed
**Halogen-Free
Status**
Not Reviewed

China RoHS



**Need more information on product
environmental compliance?**

Email productcompliance@molex.com
 For a multiple part number RoHS Certificate of Compliance, [click here](#)

Please visit the [Contact Us](#) section for any non-product compliance questions.

Search Parts in this Series

[7690Series](#)

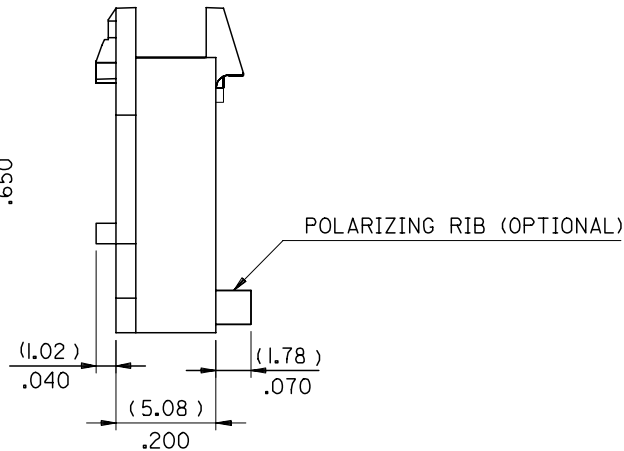
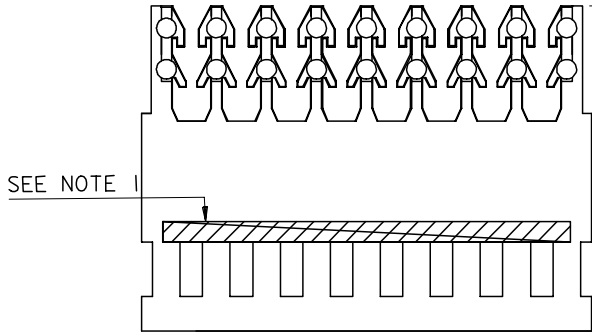
Mates With

Molex KK® 2.54mm (.100") pitch headers and 0.64mm (.025") pins

This document was generated on 05/19/2010

PLEASE CHECK WWW.MOLEX.COM FOR LATEST PART INFORMATION

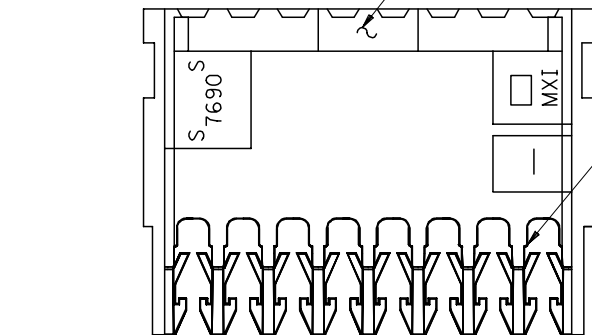
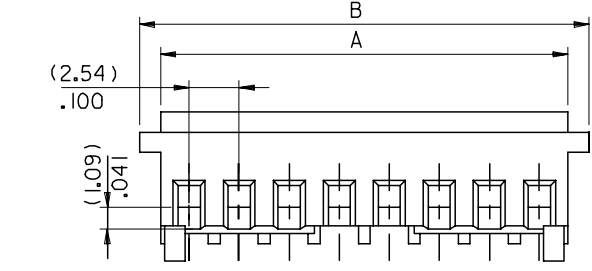
CCT.	DIM "A"	DIM "B"
2	(2.54)/.100	(7.59)/.299
3	(5.08)/.200	(10.13)/.399
4	(7.62)/.300	(12.67)/.499
5	(10.16)/.400	(15.21)/.599
6	(12.70)/.500	(17.75)/.699
7	(15.24)/.600	(20.29)/.799
8	(17.78)/.700	(22.83)/.899
9	(20.30)/.800	(25.37)/.999
10	(22.86)/.900	(27.92)/1.099
11	(25.40)/1.000	(30.45)/1.199
12	(27.94)/1.100	(32.99)/1.299
13	(30.48)/1.200	(35.53)/1.399
14	(33.02)/1.300	(38.07)/1.499
15	(35.56)/1.400	(40.61)/1.599
16	(38.10)/1.500	(43.15)/1.699
17	(40.64)/1.600	(45.69)/1.799
18	(43.18)/1.700	(48.23)/1.899
19	(45.72)/1.800	(50.77)/1.999
20	(48.26)/1.900	(53.31)/2.099
21	(50.80)/2.000	(55.85)/2.199
22	(53.34)/2.100	(58.39)/2.299
23	(55.88)/2.200	(60.93)/2.399
24	(58.42)/2.300	(63.47)/2.499
25	(60.96)/2.400	(66.01)/2.599
26	(63.50)/2.500	(68.55)/2.699
27	(66.04)/2.600	(71.09)/2.799
28	(68.58)/2.700	(73.63)/2.899



A-7690S-*N*--*

BASE NO. VOID LOCATION
 TERM. DESIGNATION
 NO. OF CIRCUITS

HOUSING CONFIGURATION
 A= STD. HOUSING(NO OPTIONS)
 B= WITH RAMP
 C= WITH RAMP AND POLARIZING RIBS



- 1- COLOURED STRIPE RUNNING LENGTH OF THE RIB AS SHOWN
- 2- TERMINALS RO BE LUBRICATED PRIOR TO ASSEMBLY WITH MXI-3 LUBRICANT.
- 3- THIS ASSEMBLY WILL ACCOMODATE (1.24)/.056 MAX. DIA. INSULATION
- 4- CONNECTOR MATERIAL: NYLON 6/6 94V-2
- 5- FOR USE WITH (0.64)/.025 ROUND OR SQUARE WIRE TO INTERSECTION DEPTH OF (7.87/6.10) / .310/.240
- 6- VOIDS ARE AVAILABLE WITH DESIGNATED PIN ENTRY HOLES MOLDED CLOSED
- 7- ALL TERMINALS HAVE CAT-EARS CONFIGURATION
- 8- FOR STANDARD PARTS SEE FOLLOWING SHEETS
- 9- THIS PART CONFORMS TO PROD.SPEC.99020-0088

REVISED SEET 2
 EC NO: E2006-0657
 DRWN:DMASZKI/EMI/CZ/2006/06/06
 CHKD:D. MOR ARTY 2006/06/07
 APPR: DENNEHY 2006/06/09

REV	DESCRIPTION
1	QUALITY SYMBOLS

GENERAL TOLERANCES (UNLESS SPECIFIED)		
	mm	INCH
4 PLACES	± .005	± .0005
3 PLACES	± .005	± .0005
2 PLACES	± 0.13	± .010
1 PLACE	± 0.25	± .010
ANGULAR ±1/2°		

DRAFT WHERE APPLICABLE MUST REMAIN WITHIN DIMENSIONS

DIMENSION STYLE	
MM/IN	DATE
DRAWN BY	DATE
0. COSTEL	1998/02/02
CHECKED BY	DATE
MOHALLOR	1998/09/16
APPROVED BY	DATE
MWILHITE	1998/09/16
MATERIAL NO.	
SEE CHART	

SCALE	DESIGN UNITS	THIRD ANGLE PROJECTION
4:1	METRIC	
TITLE		
INSULATION DISPLACEMENT CONN. (2.54)/.100 CENTRELINES		
MOLEX INCORPORATED		
DOCUMENT NO.		SHEET NO.
SDA-7690S-*N*		1 OF 3
THIS DRAWING CONTAINS INFORMATION THAT IS PROPRIETARY TO MOLEX INCORPORATED AND SHOULD NOT BE USED WITHOUT WRITTEN PERMISSION		

10 9 8 7 6 5 4 3 2 1

PART NO.	ENG. NO.	CCTS	TERM NO.	I.D. STRIPE	PLT.G.
38-00-2212	A-7690S-C 2J	2	40 I25-J(P902)	BROWN	
38-00-2213	A-7690S-C 3J	3			
38-00-2214	A-7690S-C 4J	4			
38-00-2215	A-7690S-C 5J	5			
38-00-2216	A-7690S-C 6J	6			
38-00-2217	A-7690S-C 7J	7			
38-00-2218	A-7690S-C 8J	8			
38-00-2219	A-7690S-C 9J	9			
38-00-2220	A-7690S-C 10J	10			
38-00-2221	A-7690S-C 11J	11			
38-00-2222	A-7690S-C 12J	12			
38-00-2223	A-7690S-C 13J	13			
38-00-2224	A-7690S-C 14J	14			
38-00-2225	A-7690S-C 15J	15			
38-00-2226	A-7690S-C 16J	16			
38-00-2227	A-7690S-C 17J	17			
38-00-2228	A-7690S-C 18J	18			
38-00-2229	A-7690S-C 19J	19			
38-00-2230	A-7690S-C 20J	20			
38-00-2231	A-7690S-C 21J	21			
38-00-2232	A-7690S-C 22J	22			
38-00-2233	A-7690S-C 23J	23			
38-00-2234	A-7690S-C 24J	24			
38-00-2235	A-7690S-C 25J	25			
38-00-2236	A-7690S-C 26J	26			
38-00-2237	A-7690S-C 27J	27			
38-00-2238	A-7690S-C 28J	28	40 I25-J(P902)	BROWN	

HOT TIN DIP
(1-2.5UM).00004-.00010

PART NO.	ENG. NO.	CCTS	TERM NO.	I.D. STRIPE	PLT.G.
38-00-2392	A-7690S-C 2H	2	40 I25-H(P902)	GREEN	
38-00-2393	A-7690S-C 3H	3			
38-00-2394	A-7690S-C 4H	4			
38-00-2395	A-7690S-C 5H	5			
38-00-2396	A-7690S-C 6H	6			
38-00-2397	A-7690S-C 7H	7			
38-00-2398	A-7690S-C 8H	8			
38-00-2399	A-7690S-C 9H	9			
38-00-2400	A-7690S-C 10H	10			
38-00-2401	A-7690S-C 11H	11			
38-00-2402	A-7690S-C 12H	12			
38-00-2403	A-7690S-C 13H	13			
38-00-2404	A-7690S-C 14H	14			
38-00-2405	A-7690S-C 15H	15			
38-00-2406	A-7690S-C 16H	16			
38-00-2407	A-7690S-C 17H	17			
38-00-2408	A-7690S-C 18H	18			
38-00-2409	A-7690S-C 19H	19			
38-00-2410	A-7690S-C 20H	20			
38-00-2411	A-7690S-C 21H	21			
38-00-2412	A-7690S-C 22H	22			
38-00-2413	A-7690S-C 23H	23			
38-00-2414	A-7690S-C 24H	24			
38-00-2415	A-7690S-C 25H	25			
38-00-2416	A-7690S-C 26H	26			
38-00-2417	A-7690S-C 27H	27			
38-00-2418	A-7690S-C 28H	28	40 I25-H(P902)	GREEN	

HOT TIN DIP
(1-2.5UM).00004-.00010

REVISED
EC NO: E2006-0657
DRWN: MASZKI EMI CZ 2006/06/06
CHKD: MOR ARTY 2006/06/07
APPR: DENNEHY 2006/06/09

QUALITY SYMBOLS
▽=0
▽=0

GENERAL TOLERANCES (UNLESS SPECIFIED)

	MM	INCH
4 PLACES	± 0.	± ---
3 PLACES	± 0.	± ---
2 PLACES	± 0.	± ---
1 PLACE	± 0.	± ---
ANGULAR ±1/2°		

DRAFT WHERE APPLICABLE
MUST REMAIN WITHIN DIMENSIONS

DIMENSION STYLE
MM ONLY

DRAWN BY	DATE
O. COSTEL	1998/02/13
CHECKED BY	DATE
MOHALLOR	1998/09/16
APPROVED BY	DATE
MWILHITE	1998/09/16

MATERIAL NO. SEE CHART

SCALE ---
DESIGN UNITS METRIC
THIRD ANGLE PROJECTION

TITLE
INSULATION DISPLACEMENT
CONNECTOR (2.54)/.100
CTR.

MOLEX INCORPORATED

DOCUMENT NO. SDA-7690S-*N*

SHEET NO. 2 OF 3

THIS DRAWING CONTAINS INFORMATION THAT IS PROPRIETARY TO MOLEX INCORPORATED AND SHOULD NOT BE USED WITHOUT WRITTEN PERMISSION

9 8 7 6 5 4 3 2 1