

**PLEASE CHECK WWW.MOLEX.COM FOR LATEST PART INFORMATION**

**Part Number:** [0026605140](#)  
**Status:** **Active**  
**Overview:** [kk](#)  
**Description:** 3.96mm (.156") Pitch KK® Solid Header, Right Angle, with Friction Lock, 14 Circuits, Tin (Sn) Plating

**Documents:**

[3D Model](#) [Product Specification PS-08-50 \(PDF\)](#)  
[Drawing \(PDF\)](#) [RoHS Certificate of Compliance \(PDF\)](#)  
[Packaging Specification \(PDF\)](#)

**Agency Certification**

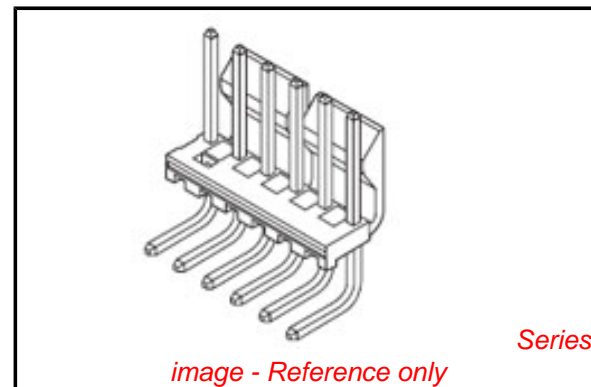
CSA LR19980  
 UL E29179

**General**

Product Family PCB Headers  
 Series [41792](#)  
 Application Wire-to-Board  
 Overview [kk](#)  
 Product Name KK®

**Physical**

Breakaway No  
 Circuits (Loaded) 14  
 Circuits (maximum) 14  
 Color - Resin Natural  
 Durability (mating cycles max) 25  
 Flammability 94V-0  
 Glow-Wire Compliant No  
 Lock to Mating Part Yes  
 Material - Metal Brass  
 Material - Plating Mating Tin  
 Material - Plating Termination Tin  
 Material - Resin Polyester  
 Number of Rows 1  
 Orientation Right Angle  
 PC Tail Length (in) 0.156 In  
 PC Tail Length (mm) 3.96 mm  
 PCB Locator No  
 PCB Retention None  
 PCB Thickness Recommended (in) 0.062 In  
 PCB Thickness Recommended (mm) 1.60 mm  
 Packaging Type Bag  
 Pitch - Mating Interface (in) 0.156 In  
 Pitch - Mating Interface (mm) 3.96 mm  
 Plating min: Mating (µin) 200  
 Plating min: Mating (µm) 5  
 Plating min: Termination (µin) 200  
 Plating min: Termination (µm) 5  
 Polarized to Mating Part Yes  
 Polarized to PCB No  
 Shrouded Partial  
 Stackable Yes  
 Temperature Range - Operating 0°C to +75°C  
 Termination Interface: Style Through Hole



**EU RoHS**

**ELV and RoHS  
 Compliant**  
**REACH SVHC  
 Contains SVHC: No  
 Halogen-Free  
 Status**

**China RoHS**



**Need more information on product  
 environmental compliance?**

Email [productcompliance@molex.com](mailto:productcompliance@molex.com)  
 For a multiple part number RoHS Certificate of Compliance, [click here](#)

Please visit the [Contact Us](#) section for any non-product compliance questions.

**Search Parts in this Series**

[41792Series](#)

**Mates With**

[3069](#) , [2139](#) , [2145](#) , [6442](#) , [7674](#) , [7675](#) , [41695](#) , L ink:41815

**Electrical**

|                               |      |
|-------------------------------|------|
| Current - Maximum per Contact | 7A   |
| Voltage - Maximum             | 250V |

**Solder Process Data**

|  |                        |
|--|------------------------|
| Duration at Max. Process Temperature (seconds) | 5                      |
| Lead-free Process Capability                   | Wave Capable (TH only) |
| Max. Cycles at Max. Process Temperature        | 1                      |
| Process Temperature max. C                     | 235                    |

**Material Info**

|                 |            |
|-----------------|------------|
| Old Part Number | 41792-0014 |
|-----------------|------------|

**Reference - Drawing Numbers**

|                         |              |
|-------------------------|--------------|
| Packaging Specification | PK-41792-002 |
| Product Specification   | PS-08-50     |
| Sales Drawing           | SDA-41792    |

This document was generated on 05/26/2010

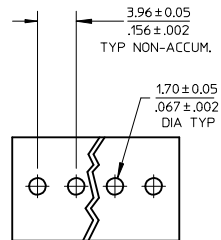
**PLEASE CHECK [WWW.MOLEX.COM](http://WWW.MOLEX.COM) FOR LATEST PART INFORMATION**



| CKT | DIM. A         | DIM. B                   | SLOT LOC BETWEEN CKTS |
|-----|----------------|--------------------------|-----------------------|
| 2   | 7.77<br>.306   | 3.96±0.05<br>.156±.002   | NONE                  |
| 3   | 11.73<br>.462  | 7.92±0.08<br>.312±.003   | NONE                  |
| 4   | 15.70<br>.618  | 11.89±0.08<br>.468±.003  | NONE                  |
| 5   | 19.66<br>.774  | 15.85±0.10<br>.624±.004  | NONE                  |
| 6   | 23.62<br>.930  | 19.81±0.10<br>.780±.004  | 3 & 4                 |
| 7   | 27.58<br>1.086 | 23.77±0.10<br>.936±.004  | 4 & 5                 |
| 8   | 31.55<br>1.242 | 27.74±0.13<br>1.092±.005 | 4 & 5                 |
| 9   | 35.51<br>1.398 | 31.70±0.13<br>1.248±.005 | 5 & 6                 |
| 10  | 39.47<br>1.554 | 35.66±0.13<br>1.404±.005 | 5 & 6                 |
| 11  | 43.43<br>1.710 | 39.62±0.15<br>1.560±.006 | 6 & 7                 |
| 12  | 47.40<br>1.866 | 43.59±0.15<br>1.716±.006 | 4 & 5<br>8 & 9        |
| 13  | 51.36<br>2.022 | 47.55±0.15<br>1.872±.006 | 4 & 5<br>9 & 10       |
| 14  | 55.32<br>2.178 | 51.51±0.18<br>2.028±.007 | 5 & 6<br>9 & 10       |
| 15  | 59.28<br>2.334 | 55.47±0.18<br>2.184±.007 | 5 & 6<br>10 & 11      |
| 16  | 63.25<br>2.490 | 59.44±0.18<br>2.340±.007 | 5 & 6<br>11 & 12      |
| 17  | 67.21<br>2.646 | 63.40±0.20<br>2.496±.008 | 6 & 7<br>11 & 12      |
| 18  | 71.17<br>2.802 | 67.36±0.20<br>2.652±.008 | 6 & 7<br>12 & 13      |

NOTES:

- MATERIAL: HEADER-GLASS FILLED POLYESTER, 94V-0, MOLDED NATURAL (WHITE).
- FINISH: (102) OVERALL TIN: .00508/.000200 MIN OVER .00254/.000100 MIN COPPER.  
(154) OVERALL TIN: .00254/.000100 MIN OVER .00127/.000050 MIN NICKEL.  
\*(208) SELECT GOLD: .00038/.000015 MIN, SELECT TIN: .00254/.000100 MIN,  
OVERALL NICKEL UNDERPLATE: .00127/.000050 MIN.  
\*(228) SELECT GOLD: .00076/.000030 MIN, SELECT TIN: .00254/.000100 MIN,  
OVERALL NICKEL UNDERPLATE: .00127/.000050 MIN.  
FOR ADDITIONAL PLATING INFO, SEE SDES-88.  
\*THE PRIMARY SHIPPING CARTON WILL BE LABELED 'COMPLIANT TO RoHS DIRECTIVE 2002/95/EC AND ELV ANNEX II OF DIRECTIVE 2000/53/EC'. CARTONS WITHOUT THIS LABEL MAY CONTAIN PRODUCT WITH TIN-LEAD PLATING.
- PRODUCT SPECIFICATION AND PROCESS PARAMETERS: SEE PS-08-50.
- PACKAGING INFORMATION: SEE CHART
- SOLDERABILITY: PER SMES-152.
- PIN PUSH-OUT FORCE: PRIOR TO SOLDERING, A 3 LB. MINIMUM FORCE (IN EITHER DIRECTION)
- PARTS ARE STACKABLE END TO END ON 3,96/.156 CENTERS.
- THIS PART CONFORMS TO CLASS B REQUIREMENTS OF COSMETIC SPECIFICATION PS-45499-002.
- SLOTS ON BACKWALL ARE BETWEEN CIRCUITS. SEE CHART FOR LOCATION.
- CIRCUIT 1 DESIGNATION IS USED TO DEFINE VOID LOCATION. CIRCUIT 1 MAY OR MAY NOT LINE UP WITH CIRCUIT 1 ON THE MATING HOUSING.



PCB LAYOUT: COMPONENT SIDE

ADD CKT1 ID NOTE 10

|                     |            |
|---------------------|------------|
| EC NO: UCP2009-0749 | 2008/12/29 |
| DRM:MKIPPER         | 2008/12/29 |
| CHKD:SSOUSEK        | 2008/12/29 |
| APPR:FSMLTH         | 2009/01/05 |

| QUALITY SYMBOLS | DESCRIPTION |
|-----------------|-------------|
| ▽=0             |             |
| ▽=0             |             |

| GENERAL TOLERANCES (UNLESS SPECIFIED) | DIMENSION STYLE |        |
|---------------------------------------|-----------------|--------|
|                                       | mm              | INCH   |
| 4 PLACES                              | ± ---           | ± ---  |
| 3 PLACES                              | ± ---           | ± .010 |
| 2 PLACES                              | ± 0.25          | ± .015 |
| 1 PLACE                               | ± 0.38          | ± ---  |
| ANGULAR                               |                 | ± 1/2° |

|             |          |
|-------------|----------|
| DRAWN BY    | DATE     |
| JSCHAFFER   | 11-07-03 |
| CHECKED BY  | DATE     |
| KSAMIEC     | 11-10-03 |
| APPROVED BY | DATE     |
| MARGULIS    | 11-17-03 |

|  |              |                        |
|--|--------------|------------------------|
| SCALE  | DESIGN UNITS | THIRD ANGLE PROJECTION |
| 2:1  | INCH         | ☉                      |
| TITLE  |              |                        |
| KK .156 HEADER ASSEMBLY<br>FRICTION LOCK<br>RIGHT ANGLE W/O PEGS |              |                        |
| MOLEX INCORPORATED   |              |                        |
| MATERIAL NO.   | DOCUMENT NO. | SHEET NO.              |
| SEE CHART  | SDA-41792    | 1 OF 1                 |

|     |     |
|-----|-----|
| 2-* | H6  |
| 1   | H7  |
| SHT | REV |

H7

DRAFT WHERE APPLICABLE  
MUST REMAIN  
WITHIN DIMENSIONS

SIZE B

THIS DRAWING CONTAINS INFORMATION THAT IS PROPRIETARY TO MOLEX INCORPORATED AND SHOULD NOT BE USED WITHOUT WRITTEN PERMISSION

| OPTIONS | Group        | A-41792-0002/0018 | Group        | A-41792-0511/0527 | Group        | A-41792-0528/0544 | Group        | A-41792-0562/0578 |
|---------|--------------|-------------------|--------------|-------------------|--------------|-------------------|--------------|-------------------|
|         | Header No:   | 41790-0002/0018   | Header No:   | 41790-0002/0018   | Header No:   | 41790-0002/0018   | Header No:   | 41790-0002/0018   |
|         | Pin No:      | 2161-37(102)      | Pin No:      | 43294-0569        | Pin No:      | 43294-0570        | Pin No:      | 43294-0570        |
|         | Plating:     | 102 – TIN         | Plating:     | 208 – 15 GOLD     | Plating:     | 228 – 30 GOLD     | Plating:     | 228 – 30 GOLD     |
|         | Pin Length L | 27.94 / 1.100     | Pin Length L | 27.94 / 1.100     | Pin Length L | 27.94 / 1.100     | Pin Length L | 27.94 / 1.100     |
|         | Mating M     | 11.43 / .450      | Mating M     | 11.43 / .450      | Mating M     | 11.43 / .450      | Mating M     | 11.43 / .450      |
|         | Gold Loc G   | N/A               | Gold Loc G   | 6.86/ .270        | Gold Loc G   | 6.86/ .270        | Gold Loc G   | 6.86/ .270        |
|         | Height Y     | 5.41 / .213       | Height Y     | 5.41 / .213       | Height Y     | 5.41 / .213       | Height Y     | 5.41 / .213       |
|         | PC Tail P    | 3.96/ .156        | PC Tail P    | 3.96/ .156        | PC Tail P    | 3.96/ .156        | PC Tail P    | 3.96/ .156        |
|         | Tin Loc T    | OVERALL           | Tin Loc T    | 5.08/ .200        | Tin Loc T    | 5.08/ .200        | Tin Loc T    | 5.08/ .200        |
|         | Voided Ckts  | NONE              | Voided Ckts  | NONE              | Voided Ckts  | NONE              | Voided Ckts  | 2                 |
|         | Pack Per     | PK-41792-002      | Pack Per     | PK-41792-002      | Pack Per     | PK-41792-002      | Pack Per     | PK-41792-002      |
| Ckts    | Material No  | Engineer Number   | Material No  | Engineer Number   | Material No  | Engineer Number   | Material No  | Engineer Number   |
| 2       | 26-60-5020   | A-41792-0002      | 41792-0511   | A-41792-0511      | 41792-0528   | A-41792-0528      | 41792-0562   | A-41792-0562      |
| 3       | 26-60-5030   | A-41792-0003      | 41792-0512   | A-41792-0512      | 41792-0529   | A-41792-0529      | 41792-0563   | A-41792-0563      |
| 4       | 26-60-5040   | A-41792-0004      | 41792-0513   | A-41792-0513      | 41792-0530   | A-41792-0530      | 41792-0564   | A-41792-0564      |
| 5       | 26-60-5050   | A-41792-0005      | 41792-0514   | A-41792-0514      | 41792-0531   | A-41792-0531      | 41792-0565   | A-41792-0565      |
| 6       | 26-60-5060   | A-41792-0006      | 41792-0515   | A-41792-0515      | 41792-0532   | A-41792-0532      | 41792-0566   | A-41792-0566      |
| 7       | 26-60-5070   | A-41792-0007      | 41792-0516   | A-41792-0516      | 41792-0533   | A-41792-0533      | 41792-0567   | A-41792-0567      |
| 8       | 26-60-5080   | A-41792-0008      | 41792-0517   | A-41792-0517      | 41792-0534   | A-41792-0534      | 41792-0568   | A-41792-0568      |
| 9       | 26-60-5090   | A-41792-0009      | 41792-0518   | A-41792-0518      | 41792-0535   | A-41792-0535      | 41792-0569   | A-41792-0569      |
| 10      | 26-60-5100   | A-41792-0010      | 41792-0519   | A-41792-0519      | 41792-0536   | A-41792-0536      | 41792-0570   | A-41792-0570      |
| 11      | 26-60-5110   | A-41792-0011      | 41792-0520   | A-41792-0520      | 41792-0537   | A-41792-0537      | 41792-0571   | A-41792-0571      |
| 12      | 26-60-5120   | A-41792-0012      | 41792-0521   | A-41792-0521      | 41792-0538   | A-41792-0538      | 41792-0572   | A-41792-0572      |
| 13      | 26-60-5130   | A-41792-0013      | 41792-0522   | A-41792-0522      | 41792-0539   | A-41792-0539      | 41792-0573   | A-41792-0573      |
| 14      | 26-60-5140   | A-41792-0014      | 41792-0523   | A-41792-0523      | 41792-0540   | A-41792-0540      | 41792-0574   | A-41792-0574      |
| 15      | 26-60-5150   | A-41792-0015      | 41792-0524   | A-41792-0524      | 41792-0541   | A-41792-0541      | 41792-0575   | A-41792-0575      |
| 16      | 26-60-5160   | A-41792-0016      | 41792-0525   | A-41792-0525      | 41792-0542   | A-41792-0542      | 41792-0576   | A-41792-0576      |
| 17      | 26-60-5170   | A-41792-0017      | 41792-0526   | A-41792-0526      | 41792-0543   | A-41792-0543      | 41792-0577   | A-41792-0577      |
| 18      | 26-60-5180   | A-41792-0018      | 41792-0527   | A-41792-0527      | 41792-0544   | A-41792-0544      | 41792-0578   | A-41792-0578      |

|                         |                              |  |                     |
|-------------------------|------------------------------|--|---------------------|
| REV:                    | <u>ECR/ECN INFORMATION:</u>  | <u>TITLE:</u>  | <u>SHEET No.</u>    |
| <b>H6</b>               | EC No.: <b>UCP2008-2821</b>  | <b>KK 156 HEADER ASSEMBLY<br/>FRICTION LOCK<br/>RIGHT ANGLE W/O PEGS</b> | <b>- 2 -</b>        |
|                         | DATE: <b>6/23/2008</b>       |  |                     |
| <u>DOCUMENT NUMBER:</u> | <u>CREATED / REVISED BY:</u> | <u>CHECKED BY:</u>   | <u>APPROVED BY:</u> |
| <b>SDA- 41792</b>       | <b>GAVERRILL</b>             | <b>MKIPPER</b>   | <b>FSMITH</b>       |

|         |              |                   |              |                   |              |                   |              |                 |
|---------|--------------|-------------------|--------------|-------------------|--------------|-------------------|--------------|-----------------|
| OPTIONS | Group        | A-41792-0019/0035 | Group        | A-41792-0036/0050 | Group        | A-41792-0051/0067 | Group        |                 |
|         | Header No:   | 41790-0002/0018   | Header No:   | 41790-0004/0018   | Header No:   | 41790-0002/0018   | Header No:   |                 |
|         | Pin No:      | 2161-37(501)      | Pin No:      | 2161-37(102)      | Pin No:      | 2161-64(102)      | Pin No:      |                 |
|         | Plating:     | 501 – GOLD        | Plating:     | 102 – TIN         | Plating:     | 102 - TIN         | Plating:     |                 |
|         | Pin Length L | 27.94 / 1.100     | Pin Length L | 27.94 / 1.100     | Pin Length L | 29.85 / 1.175     | Pin Length L |                 |
|         | Mating M     | 11.43 / .450      | Mating M     | 11.43 / .450      | Mating M     | 13.28 / .523      | Mating M     |                 |
|         | Gold Loc G   | OVERALL           | Gold Loc G   | N/A               | Gold Loc G   | N/A               | Gold Loc G   |                 |
|         | Height Y     | 5.41 / .213       | Height Y     | 5.41 / .213       | Height Y     | 5.41 / .213       | Height Y     |                 |
|         | PC Tail P    | 3.96/ .156        | PC Tail P    | 3.96/ .156        | PC Tail P    | 4.01 / .158       | PC Tail P    |                 |
|         | Tin Loc T    | N/A               | Tin Loc T    | OVERALL           | Tin Loc T    | OVERALL           | Tin Loc T    |                 |
|         | Voided Ckts  | NONE              | Voided Ckts  | 4                 | Voided Ckts  | NONE              | Voided Ckts  |                 |
|         | Pack Per     | PK-41792-002      | Pack Per     | PK-41792-002      | Pack Per     | PK-41792-002      | Pack Per     |                 |
| Ckts    | Material No  | Engineer Number   | Material No  | Engineer Number   | Material No  | Engineer Number   | Material No  | Engineer Number |
| 2       | 26-61-5020   | A-41792-0019      |              |                   |              |                   |              |                 |
| 3       | 26-61-5030   | A-41792-0020      |              |                   |              |                   |              |                 |
| 4       | 26-61-5040   | A-41792-0021      | 26-61-5043   | A-41792-0036      | 26-60-5041   | A-41792-0053      |              |                 |
| 5       | 26-61-5050   | A-41792-0022      | 26-61-5053   | A-41792-0037      |              |                   |              |                 |
| 6       | 26-61-5060   | A-41792-0023      | 26-61-5063   | A-41792-0038      |              |                   |              |                 |
| 7       | 26-61-5070   | A-41792-0024      | 26-61-5073   | A-41792-0039      |              |                   |              |                 |
| 8       | 26-61-5080   | A-41792-0025      | 26-61-5083   | A-41792-0040      |              |                   |              |                 |
| 9       | 26-61-5090   | A-41792-0026      | 26-61-5093   | A-41792-0041      |              |                   |              |                 |
| 10      | 26-61-5100   | A-41792-0027      | 26-61-5103   | A-41792-0042      |              |                   |              |                 |
| 11      | 26-61-5110   | A-41792-0028      | 26-61-5113   | A-41792-0043      |              |                   |              |                 |
| 12      | 26-61-5120   | A-41792-0029      | 26-61-5123   | A-41792-0044      |              |                   |              |                 |
| 13      | 26-61-5130   | A-41792-0030      | 26-61-5133   | A-41792-0045      |              |                   |              |                 |
| 14      | 26-61-5140   | A-41792-0031      | 26-61-5143   | A-41792-0046      |              |                   |              |                 |
| 15      | 26-61-5150   | A-41792-0032      | 26-61-5153   | A-41792-0047      |              |                   |              |                 |
| 16      | 26-61-5160   | A-41792-0033      | 26-61-5163   | A-41792-0048      |              |                   |              |                 |
| 17      | 26-61-5170   | A-41792-0034      | 26-61-5173   | A-41792-0049      |              |                   |              |                 |
| 18      | 26-61-5180   | A-41792-0035      | 26-61-5183   | A-41792-0050      |              |                   |              |                 |

|                         |                              |  |                     |
|-------------------------|------------------------------|--|---------------------|
| REV:                    | <u>ECR/ECN INFORMATION:</u>  | <u>TITLE:</u>  | <u>SHEET No.</u>    |
| <b>H6</b>               | EC No.: <b>UCP2008-2821</b>  | <b>KK 156 HEADER ASSEMBLY<br/>FRICTION LOCK<br/>RIGHT ANGLE W/O PEGS</b> | <b>- 3 -</b>        |
|                         | DATE: <b>6/23/2008</b>       |  |                     |
| <u>DOCUMENT NUMBER:</u> | <u>CREATED / REVISED BY:</u> | <u>CHECKED BY:</u>   | <u>APPROVED BY:</u> |
| <b>SDA- 41792</b>       | <b>GAVERRILL</b>             | <b>MKIPPER</b>   | <b>FSMITH</b>       |

| OPTIONS | Group        | A-41792-0198/0213 | Group        | A-41792-0214/0227 | Group        | A-41792-0242/0257 | Group        | A-41792-0341/0352 |
|---------|--------------|-------------------|--------------|-------------------|--------------|-------------------|--------------|-------------------|
|         | Header No:   | 41790-0002/0018   | Header No:   | 41790-0005/0018   | Header No:   | 41790-0003/0018   | Header No:   | 41790-0007/0018   |
|         | Pin No:      | 2161-37(102)      | Pin No:      | 2161-37(102)      | Pin No:      | 2161-37(102)      | Pin No:      | 2161-37(102)      |
|         | Plating:     | 102 – TIN         | Plating:     | 102 – TIN         | Plating:     | 102 – TIN         | Plating:     | 102 – TIN         |
|         | Pin Length L | 27.94/ 1.100      | Pin Length L | 27.94/ 1.100      | Pin Length L | 27.94/ 1.100      | Pin Length L | 27.94/ 1.100      |
|         | Mating M     | 11.43 / .450      | Mating M     | 11.43 / .450      | Mating M     | 11.43 / .450      | Mating M     | 11.43 / .450      |
|         | Gold Loc G   | N/A               | Gold Loc G   | N/A               | Gold Loc G   | N/A               | Gold Loc G   | N/A               |
|         | Height Y     | 5.41 / .213       | Height Y     | 5.41 / .213       | Height Y     | 5.41 / .213       | Height Y     | 5.41 / .213       |
|         | PC Tail P    | 3.96 / .156       | PC Tail P    | 3.96 / .156       | PC Tail P    | 3.96 / .156       | PC Tail P    | 3.96 / .156       |
|         | Tin Loc T    | OVERALL           | Tin Loc T    | OVERALL           | Tin Loc T    | OVERALL           | Tin Loc T    | OVERALL           |
|         | Voided Ckts  | 2                 | Voided Ckts  | 5                 | Voided Ckts  | 3                 | Voided Ckts  | 7                 |
|         | Pack Per     | PK-41792-002      | Pack Per     | PK-41792-002      | Pack Per     | PK-41792-002      | Pack Per     | PK-41792-002      |
| Ckts    | Material No  | Engineer Number   | Material No  | Engineer Number   | Material No  | Engineer Number   | Material No  | Engineer Number   |
| 2       |              |                   |              |                   |              |                   |              |                   |
| 3       | 26-62-5031   | A-41792-0198      |              |                   | 26-62-5035   | A-41792-0242      |              |                   |
| 4       | 26-62-5041   | A-41792-0199      |              |                   | 26-62-5045   | A-41792-0243      |              |                   |
| 5       | 26-62-5051   | A-41792-0200      | 41792-0214   | A-41792-0214      | 26-62-5055   | A-41792-0244      |              |                   |
| 6       | 26-62-5061   | A-41792-0201      | 26-62-5060   | A-41792-0215      | 26-62-5065   | A-41792-0245      |              |                   |
| 7       | 26-62-5071   | A-41792-0202      | 41792-0216   | A-41792-0216      | 26-62-5075   | A-41792-0246      | 41792-0341   | A-41792-0341      |
| 8       | 26-62-5081   | A-41792-0203      | 41792-0217   | A-41792-0217      | 26-62-5085   | A-41792-0247      | 41792-0342   | A-41792-0342      |
| 9       | 26-62-5091   | A-41792-0204      | 41792-0218   | A-41792-0218      | 26-62-5095   | A-41792-0248      | 41792-0343   | A-41792-0343      |
| 10      | 26-62-5101   | A-41792-0205      | 26-62-5100   | A-41792-0219      | 26-62-5105   | A-41792-0249      | 26-62-5104   | A-41792-0344      |
| 11      | 26-62-5111   | A-41792-0206      | 41792-0220   | A-41792-0220      | 26-62-5115   | A-41792-0250      | 26-62-5114   | A-41792-0345      |
| 12      | 26-62-5121   | A-41792-0207      | 41792-0221   | A-41792-0221      | 26-62-5125   | A-41792-0251      | 41792-0346   | A-41792-0346      |
| 13      | 26-62-5131   | A-41792-0208      | 41792-0222   | A-41792-0222      | 26-62-5135   | A-41792-0252      | 41792-0347   | A-41792-0347      |
| 14      | 26-62-5141   | A-41792-0209      | 41792-0223   | A-41792-0223      | 26-62-5145   | A-41792-0253      | 41792-0348   | A-41792-0348      |
| 15      | 26-62-5151   | A-41792-0210      | 41792-0224   | A-41792-0224      | 26-62-5155   | A-41792-0254      | 41792-0349   | A-41792-0349      |
| 16      | 26-62-5161   | A-41792-0211      | 41792-0225   | A-41792-0225      | 26-62-5165   | A-41792-0255      | 41792-0350   | A-41792-0350      |
| 17      | 26-62-5171   | A-41792-0212      | 41792-0226   | A-41792-0226      | 26-62-5175   | A-41792-0256      | 41792-0351   | A-41792-0351      |
| 18      | 26-62-5181   | A-41792-0213      | 41792-0227   | A-41792-0227      | 26-62-5185   | A-41792-0257      | 41792-0352   | A-41792-0352      |

|                         |                              |  |                     |
|-------------------------|------------------------------|--|---------------------|
| REV:                    | <u>ECR/ECN INFORMATION:</u>  | <u>TITLE:</u>  | <u>SHEET No.</u>    |
| <b>H6</b>               | EC No.: <b>UCP2008-2821</b>  | <b>KK 156 HEADER ASSEMBLY<br/>FRICTION LOCK<br/>RIGHT ANGLE W/O PEGS</b> | <b>- 4 -</b>        |
|                         | DATE: <b>6/23/2008</b>       |  |                     |
| <u>DOCUMENT NUMBER:</u> | <u>CREATED / REVISED BY:</u> | <u>CHECKED BY:</u>   | <u>APPROVED BY:</u> |
| <b>SDA- 41792</b>       | <b>GAVERRILL</b>             | <b>MKIPPER</b>   | <b>FSMITH</b>       |

|         |              |                   |              |                   |              |                   |              |                   |
|---------|--------------|-------------------|--------------|-------------------|--------------|-------------------|--------------|-------------------|
| OPTIONS | Group        | A-41792-0460/0471 | Group        | A-41792-0472/0483 | Group        | A-41792-0484/0493 | Group        | A-41792-0579/0595 |
|         | Header No:   | 41790-0007/0018   | Header No:   | 41790-0007/0018   | Header No:   | 41790-0009/0018   | Header No:   | 41790-0002/0018   |
|         | Pin No:      | 2161-37(102)      | Pin No:      | 2161-37(102)      | Pin No:      | 2161-37(102)      | Pin No:      | 2161-37(154)      |
|         | Plating:     | 102 – TIN         | Plating:     | 102 – TIN         | Plating:     | 102 – TIN         | Plating:     | 154 – TIN         |
|         | Pin Length L | 27.94 / 1.100     | Pin Length L | 27.94 / 1.100     | Pin Length L | 27.94 / 1.100     | Pin Length L | 27.94 / 1.100     |
|         | Mating M     | 11.43 / .450      | Mating M     | 11.43 / .450      | Mating M     | 11.43 / .450      | Mating M     | 11.43 / .450      |
|         | Gold Loc G   | N/A               | Gold Loc G   | N/A               | Gold Loc G   | N/A               | Gold Loc G   | N/A               |
|         | Height Y     | 5.41 / .213       | Height Y     | 5.41 / .213       | Height Y     | 5.41 / .213       | Height Y     | 5.41 / .213       |
|         | PC Tail P    | 3.96 / .156       | PC Tail P    | 3.96 / .156       | PC Tail P    | 3.96 / .156       | PC Tail P    | 3.96 / .156       |
|         | Tin Loc T    | OVERALL           | Tin Loc T    | OVERALL           | Tin Loc T    | OVERALL           | Tin Loc T    | OVERALL           |
|         | Voided Ckts  | 2, 7              | Voided Ckts  | 4, 7              | Voided Ckts  | 2, 5, 9           | Voided Ckts  | NONE              |
|         | Pack Per     | PK-41792-002      | Pack Per     | PK-41792-002      | Pack Per     | PK-41792-002      | Pack Per     | PK-41792-002      |
| Ckts    | Material No  | Engineer Number   | Material No  | Engineer Number   | Material No  | Engineer Number   | Material No  | Engineer Number   |
| 2       |              |                   |              |                   |              |                   | 50-29-1904   | A-41792-0579      |
| 3       |              |                   |              |                   |              |                   | 50-29-1905   | A-41792-0580      |
| 4       |              |                   |              |                   |              |                   | 50-29-1906   | A-41792-0581      |
| 5       |              |                   |              |                   |              |                   | 50-29-1907   | A-41792-0582      |
| 6       |              |                   |              |                   |              |                   | 50-29-1908   | A-41792-0583      |
| 7       | 41792-0460   | A-41792-0460      |              | A-41792-0472      |              |                   | 50-29-1909   | A-41792-0584      |
| 8       | 41792-0461   | A-41792-0461      | 26-60-5087   | A-41792-0473      |              |                   | 50-29-1910   | A-41792-0585      |
| 9       | 26-60-5096   | A-41792-0462      |              | A-41792-0474      |              | A-41792-0484      | 50-29-1911   | A-41792-0586      |
| 10      | 41792-0463   | A-41792-0463      |              | A-41792-0475      |              | A-41792-0485      | 50-29-1912   | A-41792-0587      |
| 11      | 41792-0464   | A-41792-0464      |              | A-41792-0476      |              | A-41792-0486      | 50-29-1913   | A-41792-0588      |
| 12      | 41792-0465   | A-41792-0465      |              | A-41792-0477      | 26-60-5128   | A-41792-0487      | 50-29-1914   | A-41792-0589      |
| 13      | 41792-0466   | A-41792-0466      |              | A-41792-0478      |              | A-41792-0488      | 50-29-1915   | A-41792-0590      |
| 14      | 41792-0467   | A-41792-0467      |              | A-41792-0479      |              | A-41792-0489      | 50-29-1916   | A-41792-0591      |
| 15      | 41792-0468   | A-41792-0468      |              | A-41792-0480      |              | A-41792-0490      | 50-29-1917   | A-41792-0592      |
| 16      | 41792-0469   | A-41792-0469      |              | A-41792-0481      |              | A-41792-0491      | 50-29-1918   | A-41792-0593      |
| 17      | 41792-0470   | A-41792-0470      |              | A-41792-0482      |              | A-41792-0492      | 50-29-1919   | A-41792-0594      |
| 18      | 41792-0471   | A-41792-0471      |              | A-41792-0483      |              | A-41792-0493      | 50-29-1920   | A-41792-0595      |

|                         |                              |  |                     |
|-------------------------|------------------------------|--|---------------------|
| REV:                    | <u>ECR/ECN INFORMATION:</u>  | <u>TITLE:</u>  | <u>SHEET No.</u>    |
| <b>H6</b>               | EC No.: <b>UCP2008-2821</b>  | <b>KK 156 HEADER ASSEMBLY<br/>FRICTION LOCK<br/>RIGHT ANGLE W/O PEGS</b> | <b>- 5 -</b>        |
|                         | DATE: <b>6/23/2008</b>       |  |                     |
| <u>DOCUMENT NUMBER:</u> | <u>CREATED / REVISED BY:</u> | <u>CHECKED BY:</u>   | <u>APPROVED BY:</u> |
| <b>SDA- 41792</b>       | <b>GAVERRILL</b>             | <b>MKIPPER</b>   | <b>FSMITH</b>       |

|         |              |                   |              |                   |              |                   |              |                 |
|---------|--------------|-------------------|--------------|-------------------|--------------|-------------------|--------------|-----------------|
| OPTIONS | Group        | A-41792-0596/0612 | Group        | A-41792-0613/0629 | Group        | A-41792-0484/0493 | Group        |                 |
|         | Header No:   | 41790-0007/0018   | Header No:   | 41790-0009/0018   | Header No:   | 41790-0009/0018   | Header No:   |                 |
|         | Pin No:      | 2161-37(154)      | Pin No:      | 2161-37(154)      | Pin No:      | 2161-37(154)      | Pin No:      |                 |
|         | Plating:     | 154 – TIN         | Plating:     | 154 – TIN         | Plating:     | 154 – TIN         | Plating:     |                 |
|         | Pin Length L | 27.94 / 1.100     | Pin Length L | 27.94 / 1.100     | Pin Length L | 27.94 / 1.100     | Pin Length L |                 |
|         | Mating M     | 11.43 / .450      | Mating M     | 11.43 / .450      | Mating M     | 11.43 / .450      | Mating M     |                 |
|         | Gold Loc G   | N/A               | Gold Loc G   | N/A               | Gold Loc G   | N/A               | Gold Loc G   |                 |
|         | Height Y     | 5.41 / .213       | Height Y     | 5.41 / .213       | Height Y     | 5.41 / .213       | Height Y     |                 |
|         | PC Tail P    | 3.96 / .156       | PC Tail P    | 3.96 / .156       | PC Tail P    | 3.96 / .156       | PC Tail P    |                 |
|         | Tin Loc T    | OVERALL           | Tin Loc T    | OVERALL           | Tin Loc T    | OVERALL           | Tin Loc T    |                 |
|         | Voided Ckts  | 2, 7              | Voided Ckts  | 2, 5, 9           | Voided Ckts  | 2, 5, 9           | Voided Ckts  |                 |
|         | Pack Per     | PK-41792-002      | Pack Per     | PK-41792-002      | Pack Per     | PK-41792-002      | Pack Per     |                 |
| Ckts    | Material No  | Engineer Number   | Material No  | Engineer Number   | Material No  | Engineer Number   | Material No  | Engineer Number |
| 2       |              |                   |              |                   |              |                   |              |                 |
| 3       |              |                   |              |                   |              |                   |              |                 |
| 4       |              |                   |              |                   |              |                   |              |                 |
| 5       |              |                   |              |                   |              |                   |              |                 |
| 6       |              |                   |              |                   |              |                   |              |                 |
| 7       | 50-29-1926   | A-41792-0601      |              |                   |              |                   |              |                 |
| 8       | 50-29-1927   | A-41792-0602      |              |                   |              |                   |              |                 |
| 9       | 50-29-1928   | A-41792-0603      | 50-29-1945   | A-41792-0620      |              | A-41792-0630      |              |                 |
| 10      | 50-29-1929   | A-41792-0604      | 50-29-1946   | A-41792-0621      |              | A-41792-0631      |              |                 |
| 11      | 50-29-1930   | A-41792-0605      | 50-29-1947   | A-41792-0622      |              | A-41792-0632      |              |                 |
| 12      | 50-29-1931   | A-41792-0606      | 50-29-1948   | A-41792-0623      | 41792-0633   | A-41792-0633      |              |                 |
| 13      | 50-29-1932   | A-41792-0607      | 50-29-1949   | A-41792-0624      |              | A-41792-0634      |              |                 |
| 14      | 50-29-1933   | A-41792-0608      | 50-29-1950   | A-41792-0625      |              | A-41792-0635      |              |                 |
| 15      | 50-29-1934   | A-41792-0609      | 50-29-1951   | A-41792-0626      |              | A-41792-0636      |              |                 |
| 16      | 50-29-1935   | A-41792-0610      | 50-29-1952   | A-41792-0627      |              | A-41792-0637      |              |                 |
| 17      | 50-29-1936   | A-41792-0611      | 50-29-1953   | A-41792-0628      |              | A-41792-0638      |              |                 |
| 18      | 50-29-1937   | A-41792-0612      | 50-29-1954   | A-41792-0629      |              | A-41792-0639      |              |                 |

|                         |                              |  |                     |
|-------------------------|------------------------------|--|---------------------|
| REV:                    | <u>ECR/ECN INFORMATION:</u>  | <u>TITLE:</u>  | <u>SHEET No.</u>    |
| <b>H6</b>               | EC No.: <b>UCP2008-2821</b>  | <b>KK 156 HEADER ASSEMBLY<br/>FRICTION LOCK<br/>RIGHT ANGLE W/O PEGS</b> | <b>- 6 -</b>        |
|                         | DATE: <b>6/23/2008</b>       |  |                     |
| <u>DOCUMENT NUMBER:</u> | <u>CREATED / REVISED BY:</u> | <u>CHECKED BY:</u>   | <u>APPROVED BY:</u> |
| <b>SDA- 41792</b>       | <b>GAVERRILL</b>             | <b>MKIPPER</b>   | <b>FSMITH</b>       |