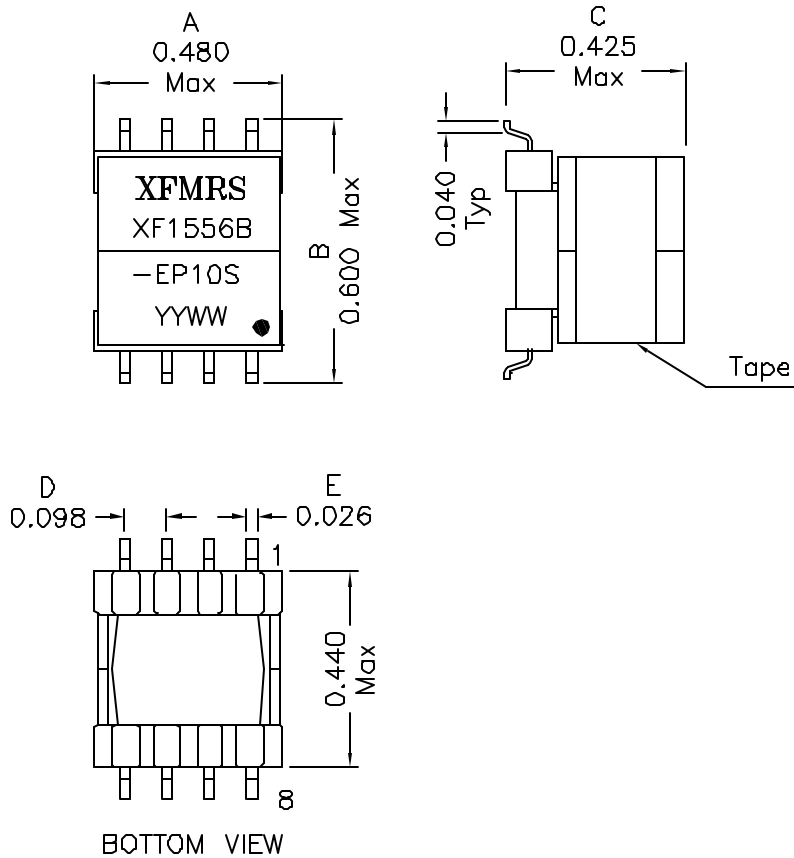
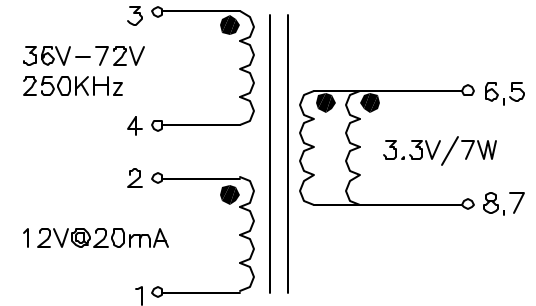


1. Mechanical Dimensions:



2. Schematic:



3. Electrical Specifications: @25°C

OCL: Pins 3-4 155uH±10% @10KHz 0.1V 0Adc
 Pins 3-4 139.5uH Min @10KHz 0.1V 0.65Adc
 LL: Pins 3-4 2.0uH Max @100KHz 0.1V (Short all else)
 DCR: Pins 3-4 0.414 Ohms Max
 Pins 2-1 0.822 Ohms Max
 Pins 6-8 & 5-7 0.036 Ohms Max Each
 TURNS RATIO: Pins {3-4}:(2-1):(6,5-8,7)=
 1.000:0.667:0.190±5%
 HIPOT: 1500Vac, PRI to SEC

Notes:

- Solderability: Leads shall meet MIL-STD-202G, Method 208H for solderability.
- Flammability: UL94V-0
- ASTM oxygen index: > 28%
- Insulation System: Class F 155°C. UL file E151556
- Operating Temperature Range: All listed parameters are to be within tolerance from -40°C to +85°C
- Storage Temperature Range: -55°C to +125°C
- Aqueous wash compatible
- SMD Lead Coplanarity: ±0.004*(0.102mm)
- Electrical and mechanical specifications 100% tested
- RoHS Compliant Component

DOC REV: A/1

PROPRIETARY Document is the property of XFMRS Group & is not allowed to be duplicated without authorization.

XFMRS Inc www.XFMRS.com	Title: 3.3V 7W POE TRANSFORMER		
UNLESS OTHERWISE SPECIFIED TOLERANCES: .xxx ±0.010 Dimensions in INCH	P/N: XF1556B-EP10S		REV. A
	DWN.	Juan Mao	Aug-13-07
	CHK.	YK Liao	Aug-13-07
SCALE 2.5:1 SHT 1 OF 1	APP.	Joe Huff	Aug-13-07