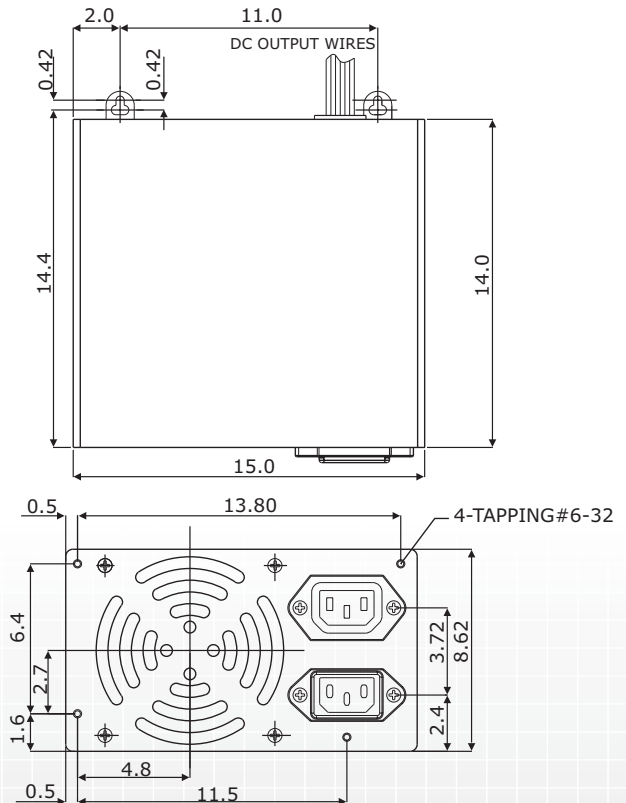
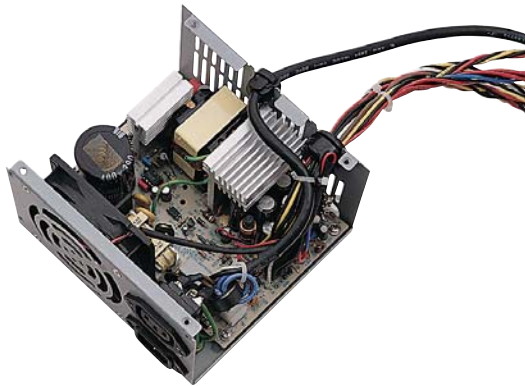


# MPI-925A

250W AC-DC AT Power Supply

Industrial Power Supply

AC-DC



## FEATURES

- \***Input Voltage:** 90~265VAC
- \***Input Frequency:** 47~63Hz
- \***Inrush Current:** Does not exceed 30A at 115VAC input or 60A AC input, at cold start 25°C
- \***Load Range:** When all outputs are at 60% rated load condition, the +5V output is set between 4.90~5.10V and all other outputs are within the specified voltage accuracy range
- \***Ripple And Noise:** Peak to peak ripple and noise for each output is < 1% of each output voltage at rated load 115~230VAC
- \***Line Regulation:** < +/-1% at rated load with +/-10% change in input voltage
- \***Load Regulation:** The output voltage load regulation is less than the values on the table when each output loading changes +/-40% from 60% rated load while all other outputs at 60% rated load
- \***Hold Up Time:** 14ms typ. from the last AC line charging pulse to the point when +5V drops down to +4.75V
- \***Output Power:** Total DC continuous power is within 200W at 40°C ambient temperature. If the input voltage is < 100VAC, total DC continuous power should not exceed 180W
- \***Power Good Signal:** Goes high 100~500ms after all DC output is ready
- \***Power Failure:** Goes low 1ms before any DC output falls
- \***Efficiency:** > 65% at nominal line and rated load
- \***Altitude:** 10,000 feet
- \***Protection:** Built-in crowbar circuit automatically shuts down outputs to avoid damaging external circuits. Trip point of O.V.P. circuit is between 5.7~7.0V
- \***Temperature:** 0~+70°C (operating); -40~+75°C (storage)
- \***Humidity:** 5~95%; non-condensing at 40°C (operating)
- \***Connectors:**
  - AC Input/Output: Meets IEC 320/CEE 22 standard
  - Tab Terminals: Female 0.250" x 0.032"
  - CPU Board: Alex 8500-06 or equivalent device
  - 3.5" Disk Drive: AMP 1-480424-0/171822-4 or equivalent device
- \***Dimensions:** 14.0 x 15.0 x 8.62 cm with +/-0.8mm and +/-0.4mm tolerance between mounting holes
- \***MTBF:** 156,598 hrs.

## SAFETY STANDARDS

- \***Safety:** UL 1950 / CSA 22.2 No.234 / VDE EN60950
- \***EMI:** FCC class B / EN55022B
- \***EMS:** Level 3 of IEC-801, 802, 803, 804

PIN	Output
Red	+5V
Yellow	+12V
Brown	-12V
Blue	-5V
Black	GND
White	P.G.

Output Voltage	Min. Load	Rated Load	Max. Load	Tolerance
+5V	1A	25A	30A	+/-0.1V
+12V	0A	10A	12A	+/-0.72V
-12V	0A	1A	2A	+/-0.6V
-5V	0A	1A	2A	+/-0.25V