

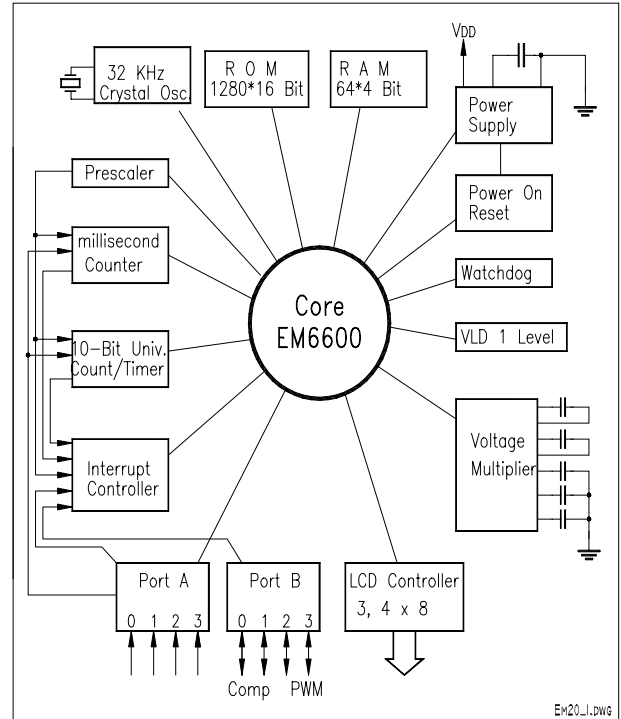


Ultra Low Power Microcontroller with 4x8 LCD Driver

Features

- Low Power
 - 2.1 μ A active mode, LCD On
 - 0.5 μ A standby mode, LCD Off
 - 0.1 μ A sleep mode @ 1.5V, 32kHz, 25°C
- Low Voltage - 1.2 to 3.6 V
- SVLD - metal mask programmable (2.0V)
- ROM - 1280 \times 16 bits
- RAM - 64 \times 4 bits
- 2 clocks per instruction cycle
- 72 basic instructions
- Oscillation supervisor
- Timer watchdog (2 sec)
- Max. 8 inputs ; port A, port B
- max. 4 outputs ; port B
- LCD 8 segments, 3 or 4 times multiplexed
- Universal 10-bit counter, PWM, event counter
- Prescaler down to 1 Hz (crystal = 32 KHz)
- 1/1000 sec, 12 bit binary coded decimal counter with hard or software start/stop function
- Frequency output 1Hz, 2048 Hz, 32 KHz, PWM
- 7 internal interrupt sources (BCD counter, 2 \times 10-bit counter, 3 \times prescaler, SVLD)
- 5 external interrupt sources (port A, compare)

Figure 1. Architecture



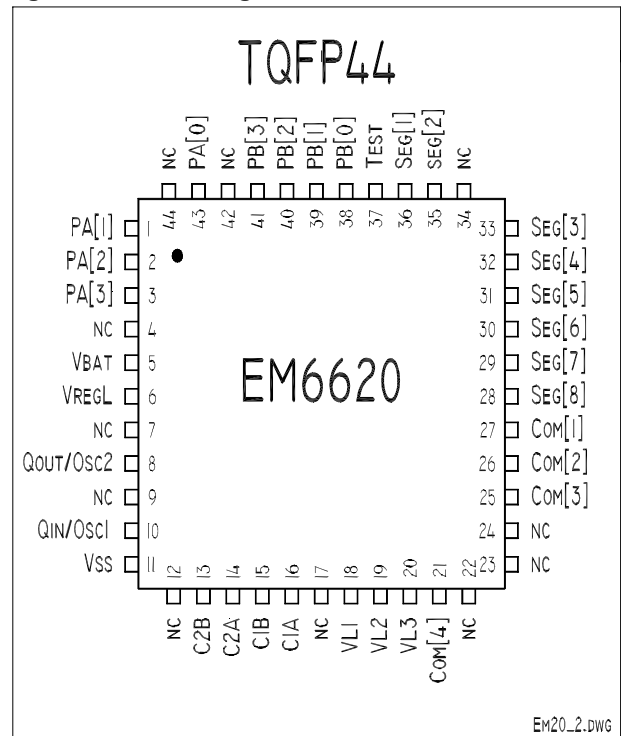
Description

The EM6620 is an advanced single chip CMOS 4-bit microcontroller. It contains ROM, RAM, power on reset, watchdog timer, oscillation detection circuit, 10 bit up/down counter, Millisecond counter, prescaler, voltage level detector (SVLD), compare input, frequency output, LCD driver and several clock functions. The low voltage feature and low power consumption make it the most suitable controller for battery, stand alone and mobile equipment. The EM6620 is manufactured using EM Microeletronic's Advanced Low Power (ALP) CMOS Process.

Typical Applications

- Timing device
- Medical applications
- Domestic appliance
- Timer / sports timing devices
- Safety and security devices
- Automotive controls with display
- Measurement equipment
- Interactive system with display
- Bicycle computers

Figure 2. Pin Configuration





EM6620 at a glance

• Power Supply

- Low voltage low power architecture including internal voltage regulator
- 1.2 ... 3.6 V battery voltage
- 2.1 μ A in active mode (Xtal, LCD on, 25°C)
- 0.5 μ A in standby mode (Xtal, LCD off, 25°C)
- 0.1 μ A in sleep mode (25°C)
- 32 KHz Oscillator

• RAM

- 64 x 4 bit, direct addressable

• ROM

- 1280 x 16 bits, metal mask programmable

• CPU

- 4 bit RISC architecture
- 2 clock cycles per instruction
- 72 basic instructions

• Main Operating Modes and Resets

- Active Mode (CPU is running)
- Standby Mode (CPU in halt)
- Sleep Mode (no clock, reset state)
- Initial reset on power on (POR)
- Watchdog reset (logic and oscillation watchdogs)
- Reset with input combination on port A (register selectable)

• Liquid Crystal Display Driver (LCD)

- 8 segments 3 or 4 times multiplexed
- Internal or external voltage multiplier
- Free segment allocation architecture (metal 2 mask)
- LCD switch off for power save

• 4-Bit Input Port A

- Direct input read on the port terminals
- Debouncer function available on all inputs
- Interrupt request on positive or negative edge
- Pull-up or pull-down or none selectable by register
- Test variables (software) for conditional jumps
- PA[0] and PA[3] are inputs for the event counter
- PA[3] is Start/Stop input for the millisecond counter
- Reset with input combination (register selectable)

• Prescaler

- 15 stage system clock divider down to 1Hz
- 3 Interrupt requests; 1Hz, 32Hz or 8Hz, Blink
- Prescaler reset (4kHz to 1Hz)

• 4-Bit Bi-directional Port B

- All different functions bit-wise selectable
- Direct input read on the port terminals
- Data output latches
- CMOS or Nch. open drain outputs
- Pull-down or pull-up selectable
- Weak pull-up in Nch. open drain mode
- Selectable PWM, 32kHz, 1kHz and 1Hz output
- Dynamic Input Comparator on PB[0] (SVLD level)

• Voltage Level Detector

- Mask selectable level, default 2.0V
- Busy flag during measure
- Interrupt request at end of measure

• 10-Bit Universal Counter

- 10, 8, 6 or 4 bit up/down counting
- Parallel load
- Event counting (PA[0] or PA[3])
- 8 different input clocks-
- Full 10 bit or limited (8, 6, 4 bit) compare function
- 2 interrupt requests (on compare and on 0)
- Hi-frequency input on PA[3] and PA[0]
- Pulse width modulation (PWM) output

• Millisecond Counter

- 3 digits binary coded decimal counter (12 bits)
- PA[3] signal pulse width and period measurement
- Internal 1000 Hz clock generation
- Hardware or software controlled start stop mode
- Interrupt request on either 1/10 Sec or 1Sec

• Interrupt Controller

- 5 external and 7 internal interrupt request sources
- Each interrupt request individually maskable
- Each interrupt flag individually resettable
- Automatic reset of each interrupt request register after read
- General interrupt request to CPU can be disabled
- Automatic enabling of general interrupt request flag when going into HALT mode



Table of Contents

Features	1
Description	1
TYPICAL applications	1
EM6620 at a glance	2
1. PIN DESCRIPTION FOR EM6620	4
2. OPERATING MODES	6
2.1 ACTIVE MODE	6
2.2 STANDBY MODE	6
2.3 SLEEP MODE	6
3. POWER SUPPLY	7
4. RESET	8
4.1 OSCILLATION DETECTION CIRCUIT	9
4.2 INPUT PORT A RESET	9
4.3 DIGITAL WATCHDOG TIMER RESET	10
4.4 CPU STATE AFTER RESET	10
5. OSCILLATOR AND PRESCALER	11
5.1 OSCILLATOR	11
5.2 PRESCALER	11
6. INPUT AND OUTPUT PORTS	13
6.1 PORTS OVERVIEW	13
6.2 PORT A	14
6.2.1 <i>IRQ on Port A</i>	14
6.2.2 <i>Pull-up/down</i>	15
6.2.3 <i>Software test variables</i>	15
6.2.4 <i>Port A for 10-Bit Counter and MSC</i>	15
6.3 PORT A REGISTERS	15
6.4 PORT B	17
6.4.1 <i>Input / Output Mode</i>	17
6.4.2 <i>Pull-up/Down</i>	18
6.4.3 <i>CMOS / NCH. Open Drain Output</i>	18
6.4.4 <i>PWM and Frequency output</i>	19
6.5 PB[0] DYNAMIC INPUT COMPARATOR	19
6.6 PORT B REGISTERS	20
7. 10-BIT COUNTER	21
7.1 FULL AND LIMITED BIT COUNTING	21
7.2 FREQUENCY SELECT AND UP/DOWN COUNTING	22
7.3 EVENT COUNTING	23
7.4 COMPARE FUNCTION	23
7.5 PULSE WIDTH MODULATION (PWM)	23
7.5.1 <i>How the PWM Generator works.</i>	24
7.5.2 <i>PWM Characteristics</i>	24
7.6 COUNTER SETUP	25
7.7 10-BIT COUNTER REGISTERS	25
8. MILLISECOND COUNTER	27
8.1 PA[3] INPUT FOR MSC	27
8.2 IRQ FROM MSC	27
8.3 MSC-MODES	28
8.4 MODE SELECTION	28
8.5 MILLISECOND COUNTER REGISTERS	30
9. INTERRUPT CONTROLLER	31
9.1 INTERRUPT CONTROL REGISTERS	32
10. SUPPLY VOLTAGE LEVEL DETECTOR	33
10.1 SVLD REGISTER	33
11. RAM	34
12. LCD DRIVER	35
12.1 LCD CONTROL	36
12.2 LCD ADDRESSING	36
12.3 FREE SEGMENT ALLOCATION	37
12.4 LCD REGISTERS	37
13. PERIPHERAL MEMORY MAP	39
14. OPTION REGISTER MEMORY MAP	42
15. ACTIVE SUPPLY CURRENT TEST	43
16. MASK OPTIONS	44
16.1 INPUT / OUTPUT PORTS	44
16.1.1 <i>Port A Metal Options</i>	44
16.1.2 <i>Port B Metal Options</i>	45
16.1.3 <i>Voltage Regulator Option</i>	46
16.1.4 <i>SVLD and Input Comp Level Option</i>	46
16.1.5 <i>Debouncer frequency Option</i>	46
16.1.6 <i>User defined LCD Segment allocation</i>	46
17. TEMP. AND VOLTAGE BEHAVIORS	47
17.1 IDD CURRENT (TYPICAL)	47
17.2 PULL-DOWN RESISTANCE (TYPICAL)	47
17.3 PULL-UP RESISTANCE (TYPICAL)	48
17.4 OUTPUT CURRENTS (TYPICAL)	48
18. EM6620 ELECTRICAL SPECIFICATIONS	49
18.1 ABSOLUTE MAXIMUM RATINGS	49
18.2 HANDLING PROCEDURES	49
18.3 STANDARD OPERATING CONDITIONS	49
18.4 DC CHARACTERISTICS - POWER SUPPLY	49
18.5 SVLD AND INPUT COMPARATOR	50
18.6 OSCILLATOR	50
18.7 DC CHARACTERISTICS - I/O PINS	51
18.8 LCD SEG[8:1] OUTPUTS	52
18.9 LCD COM[4:1] OUTPUTS	52
18.10 DC OUTPUT COMPONENT	52
18.11 LCD VOLTAGE MULTIPLIER	52
19. PAD LOCATION DIAGRAM	53
20. PACKAGE & ORDERING INFORMATION	54
20.1 ORDERING INFORMATION	56
20.2 PACKAGE MARKING	56
20.3 CUSTOMER MARKING	56
21. SPEC. UPDATE	57

EM Microelectronic-Marín SA cannot assume responsibility for use of any circuitry described other than circuitry entirely embodied in an EM Microelectronic-Marín SA product. EM Microelectronic-Marín SA reserves the right to change the circuitry and specifications without notice at any time. You are strongly urged to ensure that the information given has not been superseded by a more up-to-date version.

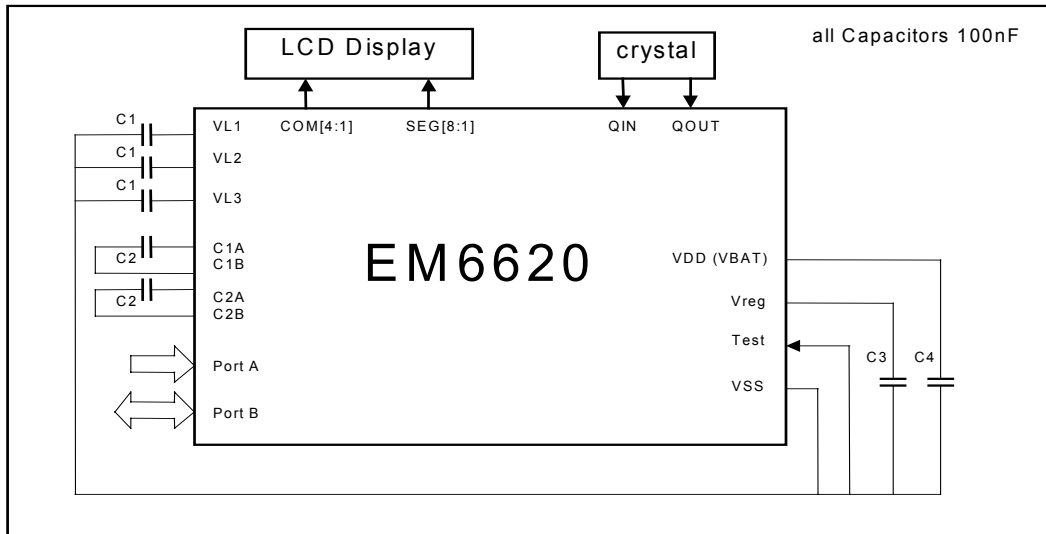


1. Pin Description for EM6620

Chip	QFP 44	DIL 40	QFP 32	Signal Name	Function	Remarks
1	13	7	9	C2B	Voltage multiplier	Not needed if ext. supply
2	14	8	10	C2A	Voltage multiplier	Not needed if ext. supply
3	15	9	11	C1B	Voltage multiplier	Not needed if ext. supply
4	16	10	12	C1A	Voltage multiplier	Not needed if ext. supply
5	18	11	13	VL1	Voltage multiplier level 1	LCD level 1 input, if external supply selected
6	19	12	14	VL2	Voltage multiplier level 2	LCD level 2 input, if external supply selected
7	20	13	15	VL3	Voltage multiplier level 3	LCD level 3 input, if external supply selected
8	21	14	16	COM[4]	LCD back plane 4	Not used if 3 times multiplex selected
9	25	17	17	COM[3]	LCD back plane 3	
10	26	18	18	COM[2]	LCD back plane 2	
11	27	19	19	COM[1]	LCD back plane 1	
12	28	20	nc	SEG[8]	LCD segment 8	Not bonded for QFP 32
13	29	21	20	SEG[7]	LCD segment 7	
14	30	22	21	SEG[6]	LCD segment 6	
15	31	23	22	SEG[5]	LCD segment 5	
16	32	24	23	SEG[4]	LCD segment 4	
17	33	25	24	SEG[3]	LCD segment 3	
18	35	27	25	SEG[2]	LCD segment 2	
19	36	28	26	SEG[1]	LCD segment 1	
20	37	29	27	Test	Input test terminal Internal pull-down 15k	For EM tests only, GND 0 ! except when needed for MFP programming
21	38	30	28	PB[0]	Input/output, open drain port B terminal 0	Port B data[0] I/O or dynamic input comparator input
22	39	31	29	PB[1]	Input/output, open drain port B terminal 1	Port B data[1] I/O or ck[12] output
23	40	32	30	PB[2]	Input/output, open drain port B terminal 2	Port B data[2] I/O or ck[1] output
24	41	33	31	PB[3]	Input/output, open drain port B terminal 3	Port B data[3] I/O or PWM output
25	43	35	32	PA[0]	Input port A terminal 0	Testvar 1 Event counter
26	1	36	1	PA[1]	Input port A terminal 1	Testvar 2
27	2	37	2	PA[2]	Input port A terminal 2	Testvar 3
28	3	38	3	PA[3]	Input port A terminal 3	Event counter MSC start/stop control
29	5	39	4	VBAT=VDD	Positive power supply	MFP Connection
30	6	40	5	Vreg	Internal voltage regulator	Connect to minimum 100nF, MFP Connection
31	8	1	6	Qout / Osc2	Crystal terminal	32kHz crystal, MFP Connection
32	10	3	7	Qin / Osc1	Crystal terminal	32kHz crystal, MFP Connection
33	11	5	8	VSS	Negative power supply	Reference terminal, MFP Connection

* gray shaded : terminals needed for MFP programming connections (VDD, VregLogic, Qin, Qout, Test, VSS).

Figure 3. Typical configuration



2. Operating modes

The EM6620 has two low power dissipation modes, standby and sleep. Figure 4 is a transition diagram for these modes.

2.1 ACTIVE Mode

The active mode is the actual CPU running mode. Instructions are read from the internal ROM and executed by the CPU. Leaving the active mode: via the halt instruction to go into standby mode, writing the **SLEEP** bit to go into Sleep mode or detecting the reset condition from port A to go into reset mode.

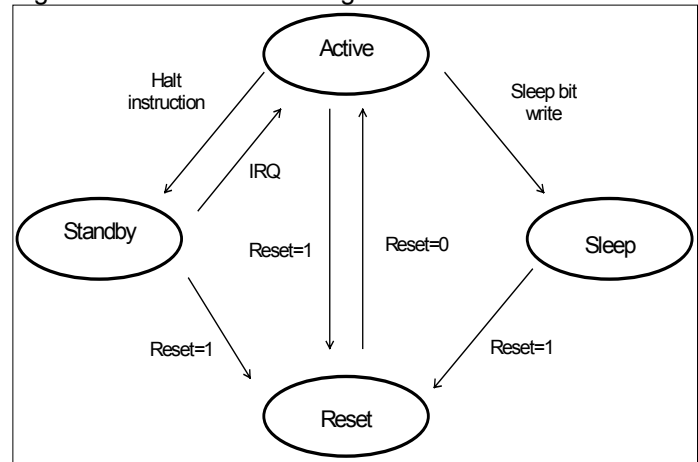
2.2 STANDBY Mode

Executing a HALT instruction puts the EM6620 into standby mode. The voltage regulator, oscillator, watchdog timer, LCD, interrupts, timers and counters are operating. However, the CPU stops since the clock related to instruction execution stops. Registers, RAM and I/O pins retain their states prior to STANDBY mode. STANDBY is canceled by a RESET or an Interrupt request if enabled.

2.3 SLEEP Mode

Writing to the **Sleep** bit in the **RegSysCntl1** register puts the EM6620 in sleep mode. The oscillator stops and most functions of the EM6620 are inactive. To be able to write to the **Sleep** bit, the **SleepEn** bit in **RegSysCntl2** must first be set to "1". In SLEEP mode only the voltage regulator is active to maintain the RAM data integrity, all other functions are in reset state. SLEEP mode may be canceled only by the input reset combination from port A.

Figure 4 Mode transition diagram



Due to the cold-start characteristics of the oscillator, waking up from sleep mode may take some time to guarantee stable oscillation. During sleep mode and the following start up the EM6620 is in reset state. Waking up from sleep mode clears the **Sleep** flag but not the **SleepEn** bit. Inspecting the **SleepEn** allows to determine if the EM6620 was powered up (**SleepEn** = "0") or woken from sleep mode (**SleepEn** = "1").

TAKE CARE !!! To quit sleep mode, one must be sure to have a suitable defined combination of port A inputs for reset (see section 4.2). The Bit **NoInpReset** has no action during sleep mode.

Table 2.3.1 Shows the state of the EM6620 functions in STANDBY and SLEEP modes

FUNCTION	STANDBY	SLEEP
Oscillator	Active	Stopped
Oscillator supervisor	Active	Stopped
Instruction execution	Stopped	Stopped
Interrupt functions	Active	Stopped
Registers and flags	Retained	Reset
RAM data	Retained	Retained
Option registers	Retained	Retained
Timer/Counter's	Active	Reset
Logic watchdog	Active	Reset
I/O port B	Active	High Impedance, no pulls
Input port A	Active NoInputRes = "0" for reset generation	Only active for Reset generation NoInputRes = "X"
LCD	Active	Stopped (display off)
Voltage Level Detector	finishes on going measure, then stop	Stopped

3. Power Supply

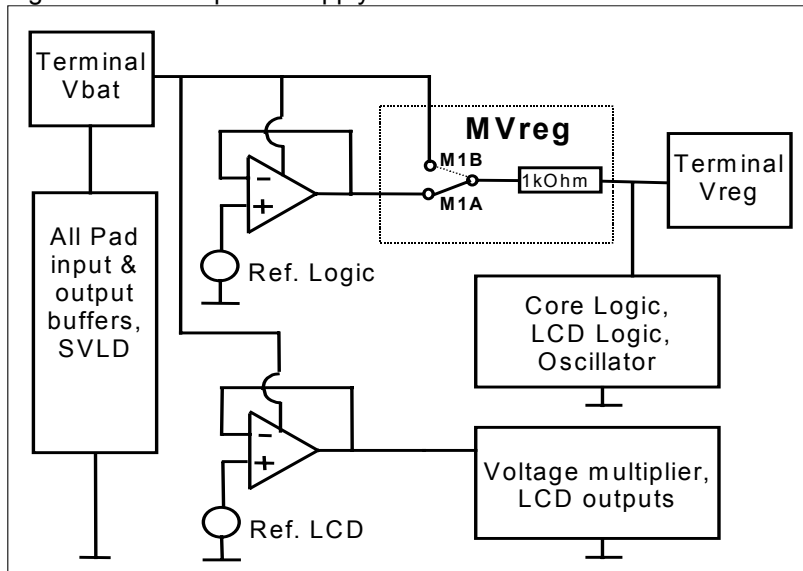
The EM6620 is supplied by a single external power supply between VDD (Vbat) and VSS (ground). A built-in voltage regulator generates Vreg providing regulated voltage for the oscillator and the internal logic. The output drivers are supplied directly from the external supply VDD. A internal power configuration is shown in Figure 5.

To supply the internal core logic it is possible to use either the internal voltage regulator ($V_{reg} < V_{DD}$) or Vbat directly ($V_{reg} = V_{DD}$). The selection is done by metal 1 mask option. By default the voltage regulator is used. Refer to chapter 16.1.3 for the metal mask selection.

The internal voltage regulator is chosen for high voltage systems. It saves power by reducing the internal core logic's power supply to an optimum value. However, due to the inherent voltage drop over the regulator the minimal VDD value is restricted to 1.4V .

A direct Vbat connection can be selected for systems running on a 1.5V battery. The 1kOhm resistor together with the external capacitor on Vreg is filtering the VDD supply to the internal core. In this case the minimum VDD value can be as low as 1.2 V.

Figure 5. Internal power supply



4. Reset

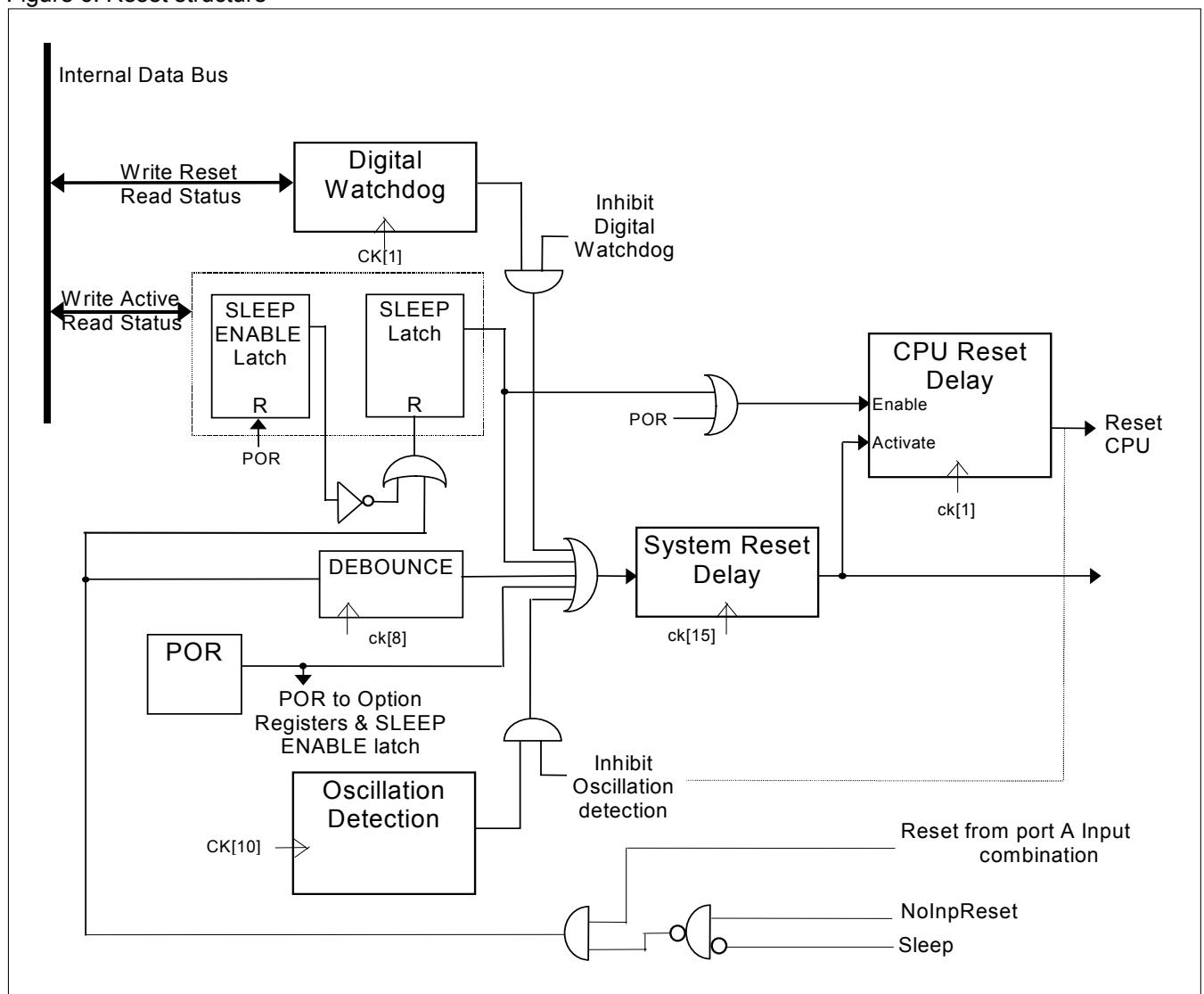
Figure 6 illustrates the reset structure of the EM6620. One can see that there are five possible reset sources :

- (1) Internal initial reset from the Power On Reset (POR) circuitry. --> POR
- (2) External reset by simultaneous high/low inputs to port A.
(Combinations are defined in the registers **OptInpRSe11** and **OptInpRSe12**) --> System Reset, Reset CPU
- (3) Internal reset from the Digital Watchdog. --> System Reset, Reset CPU
- (4) Internal reset from the Oscillation Detection Circuit. --> System Reset, Reset CPU
- (5) Internal reset when SLEEP mode is activated. --> System Reset, Reset CPU

All reset sources activate the System Reset and the Reset CPU. The 'System Reset Delay' ensures that the system reset remains active long enough for all system functions to be reset (active for N system clock cycles). The 'CPU Reset Delay' ensures that the Reset CPU remains active until the oscillator is in stable oscillation.

As well as activating the system reset and the Reset CPU, the POR also resets all option registers and the sleep enable (**SleepEn**) latch. System reset and Reset CPU do not reset the option registers nor the sleep enable latch.

Figure 6. Reset structure



4.1 Oscillation Detection Circuit

At power on, the voltage regulator starts to follow the supply voltage and triggers the power on reset circuitry, and thus the system reset. The CPU of the EM6620 remains in the reset state for the 'CPU Reset Delay', to allow the oscillator to stabilize after power up.

The oscillator is disabled during sleep mode. So when waking up from sleep mode, the CPU of the EM6620 remains in the reset state for the 'CPU Reset Delay', to allow the oscillator to stabilize. During this oscillator stabilization period, the oscillation detection circuit is inhibited.

In active or standby modes, the oscillator detection circuit monitors the oscillator. If it stops for any reason, a system reset is generated. After clock restart, the CPU waits for the CPU Reset Delay before executing the first instructions.

The oscillation detection circuitry can be inhibited with **NoOscWD** = 1 in register **RegVLDCntl**. At power up, and after any Reset, the function is activated.

The 'CPU Reset Delay' is 32768 system clocks (ck[16]) long.

4.2 Input Port A Reset

By writing the **OptInpRSe1** and **OptInpRSe2** registers it is possible to choose any combination of port A input values to execute a system reset. The reset condition must be valid for at least 16 ms (system clock = 32 KHz) in active and standby mode. The applied port A reset condition will immediately trigger a system reset in Sleep mode.

Bit **NoInputReset** in option register **OptFSeIPB** selects the input port A reset function in active and standby mode. If set to "0" the occurrence of the selected combination for input port A reset will trigger a system reset. Set to '1' the input port A reset function is inhibited.

This option bit has no action in sleep mode, where the occurrence of the selected input port A reset combination will always immediately trigger a system reset.

Reset combination selection (*InpReset*) in registers **OptInpRSe1** and **OptInpRSe2**.

$$InpReset = InpResPA[0] \cdot InpResPA[1] \cdot InpResPA[2] \cdot InpResPA[3]$$

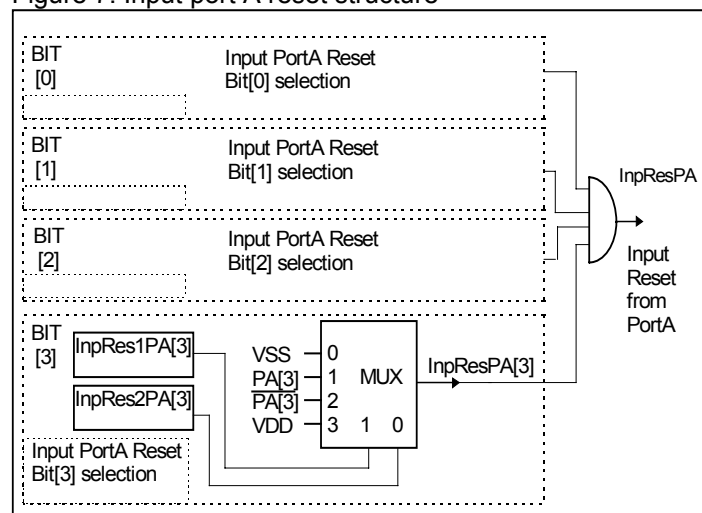
InpRes1PA[n]	InpRes2PA[n]	InpResPA[n]
0	0	Vss
0	1	PA[n]
1	0	not PA[n]
1	1	VDD

n = 0 to 3

i.e. ; - No reset if InpResPA[n] = Vss.

- Don't care function on a single bit with its InpResPA[n] = VDD.
- Always Reset if InpResPA[3:0] = 'b1111.

Figure 7. Input port A reset structure



4.3 Digital Watchdog Timer Reset

The Digital Watchdog is a simple, non-programmable, 2-bit timer, that counts on each rising edge of Ck[1]. It will generate a system reset if it is not periodically cleared. The watchdog timer function can be inhibited by activating an inhibit digital watchdog bit (**NoLogicWD**) located in **RegVLDCntl**. At power up, and after any system reset, the watchdog timer is activated.

If for any reason the CPU stops, then the watchdog timer can detect this situation and activate the system reset signal. This function can be used to detect program overrun, endless loops, etc. For normal operation, the watchdog timer must be reset periodically by software at least every 2.5 seconds (system clock = 32 KHz), or a system reset signal is generated.

The watchdog timer is reset by writing a '1' to the **WDRReset** bit in the timer. This resets the timer to zero and timer operation restarts immediately. When a '0' is written to **WDRReset** there is no effect. The watchdog timer operates also in the standby mode and thus, to avoid a system reset, standby should not be active for more than 2.5 seconds.

From a System Reset state, the watchdog timer will become active after 3.5 seconds. However, if the watchdog timer is influenced from other sources (i.e. prescaler reset), then it could become active after just 2.5 seconds. It is therefore recommended to use the Prescaler **IRQHz1** interrupt to periodically reset the watchdog every second.

It is possible to read the current status of the watchdog timer in **RegSysCntl2**. After watchdog reset, the counting sequence is (on each rising edge of CK[1]) : '00', '01', '10', '11', {WDVal1 WDVal0}. When reaching the '11' state, the watchdog reset will be active within ½ second. The watchdog reset activates the system reset which in turn resets the watchdog. If the watchdog is inhibited it's timer is reset and therefore always reads '0'.

Table 4.3.1 Watchdog timer register RegSysCntl2

Bit	Name	Reset	R/W	Description
3	WDRReset	0	R/W	Reset the Watchdog 1 -> Resets the Logic Watchdog 0 -> no action The Read value is always '0'
2	<i>SleepEn</i>	0	R/W	<i>See Operating modes (sleep)</i>
1	WDVal1	0	R	Watchdog timer data 1/4 ck[1]
0	WDVal0	0	R	Watchdog timer data 1/2 ck[1]

4.4 CPU State after Reset

Reset initializes the CPU as shown in Table 4.4.1 below.

Table 4.4.1 Initial CPU value after Reset.

Name	Bits	Symbol	Initial Value
Program counter 0	12	PC0	\$000 (as a result of Jump 0)
Program counter 1	12	PC1	Undefined
Program counter 2	12	PC2	Undefined
Stack pointer	2	SP	SP[0] selected
Index register	7	IX	Undefined
Carry flag	1	CY	Undefined
Zero flag	1	Z	Undefined
Halt	1	HALT	0
Instruction register	16	IR	Jump 0
Periphery registers	4	Reg.....	See peripheral memory map

5. Oscillator and Prescaler

5.1 Oscillator

A built-in crystal oscillator generates the system operating clock for the CPU and peripheral blocks, from an externally connected crystal (typically 32.768kHz). The oscillator circuit is supplied by the regulated voltage, Vreg. In sleep mode the oscillator is stopped.

EM's special design techniques guarantee the low current consumption of this oscillator. The external impedance between the oscillator pads must be greater than 10 MOhm. Connection of any other components to the two oscillator pads must be confirmed by EM Microelectronic-Marin SA.

5.2 Prescaler

The prescaler consists of fifteen elements divider chain which delivers clock signals for the peripheral circuits such as timer/counter, buzzer, LCD voltage multiplier, debouncer and edge detectors, as well as generating prescaler interrupts. The input to the prescaler is the system clock signal. Power on initializes the prescaler to Hex(0001).

Table 5.2.1 Prescaler Clock Name Definition

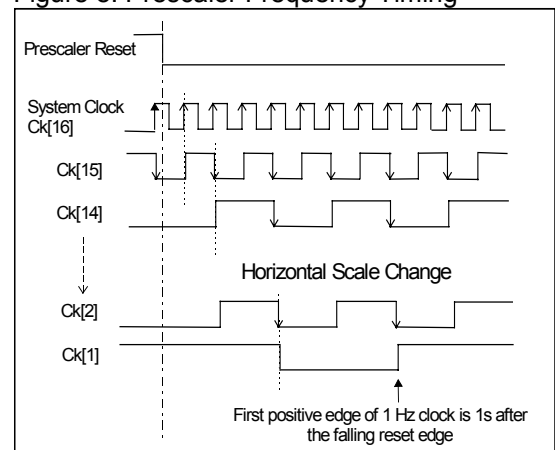
Function	Name	32 KHz Xtal
System clock	Ck[16]	32768 Hz
System clock / 2	Ck[15]	16384 Hz
System clock / 4	Ck[14]	8192 Hz
System clock / 8	Ck[13]	4096 Hz
System clock / 16	Ck[12]	2048 Hz
System clock / 32	Ck[11]	1024 Hz
System clock / 64	Ck[10]	512 Hz
System clock / 128	ck [9]	256 Hz

Function	Name	32 KHz Xtal
System clock / 256	Ck[8]	128 Hz
System clock / 512	Ck[7]	64 Hz
System clock / 1024	Ck[6]	32 Hz
System clock / 2048	Ck[5]	16 Hz
System clock / 4096	Ck[4]	8 Hz
System clock / 8192	Ck[3]	4 Hz
System clock / 16384	Ck[2]	2 Hz
System clock / 32768	Ck[1]	1 Hz

Table 5.2.2 Control of Prescaler Register RegPresc

Bit	Name	Reset	R/W	Description
3	PWMOn	0	R/W	see 10 bit counter
2	ResPresc	0	R/W	Write Reset prescaler 1 -> Resets the divider chain from Ck[14] down to Ck[2], sets Ck[1]. 0 -> No action. The Read value is always '0'
1	PrIntSel	0	R/W	Interrupt select. 0 -> Interrupt from Ck[4] 1 -> Interrupt from Ck[6]
0	DebSel	0	R/W	Debouncer clock select. 0 -> Debouncer with Ck[8] 1 -> Debouncer with Ck[11] or Ck[14]

Figure 8. Prescaler Frequency Timing



With DebSel = 1 one may choose either the Ck[11] or Ck[14] debouncer frequency by selecting the corresponding metal mask option. Relative to 32kHz the corresponding max. debouncer times are then 2 ms or 0.25 ms. For the metal mask selection refer to chapter 16.1.5.

Switching the **PrIntSel** may generate an interrupt request. Avoid it with **MaskIRQ32/8** = 0 selection during the switching operation.

The prescaler contains 3 interrupt sources:

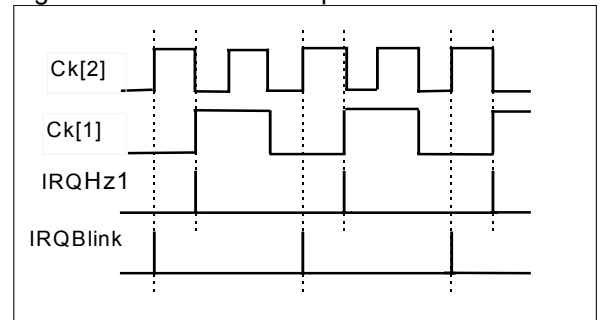
- IRQ32/8 ; this is Ck[6] or Ck[4] positive edge interrupt, the selection is depending on bit **PrIntSel**.
- IRQHz1 ; this is Ck[1] positive edge interrupt
- IRQBlink ; this is 3/4 of Ck[1] period interrupt

There is no interrupt generation on reset.

The first IRQHz1 Interrupt occurs 1 sec (32kHz) after reset.

A possible application for the IRQBlink is LCD-Display blinking control together with IRQHz1.

Figure 9. Prescaler Interrupts





6. Input and Output ports

The EM6620 has:

- one 4-bit input port (port A)
- one 4-bit input/output port. (port B)

Pull-up and Pull-down resistors can be added to all this ports with metal and/or register options.

6.1 Ports overview

Table 6.1.1 Input and Output ports overview

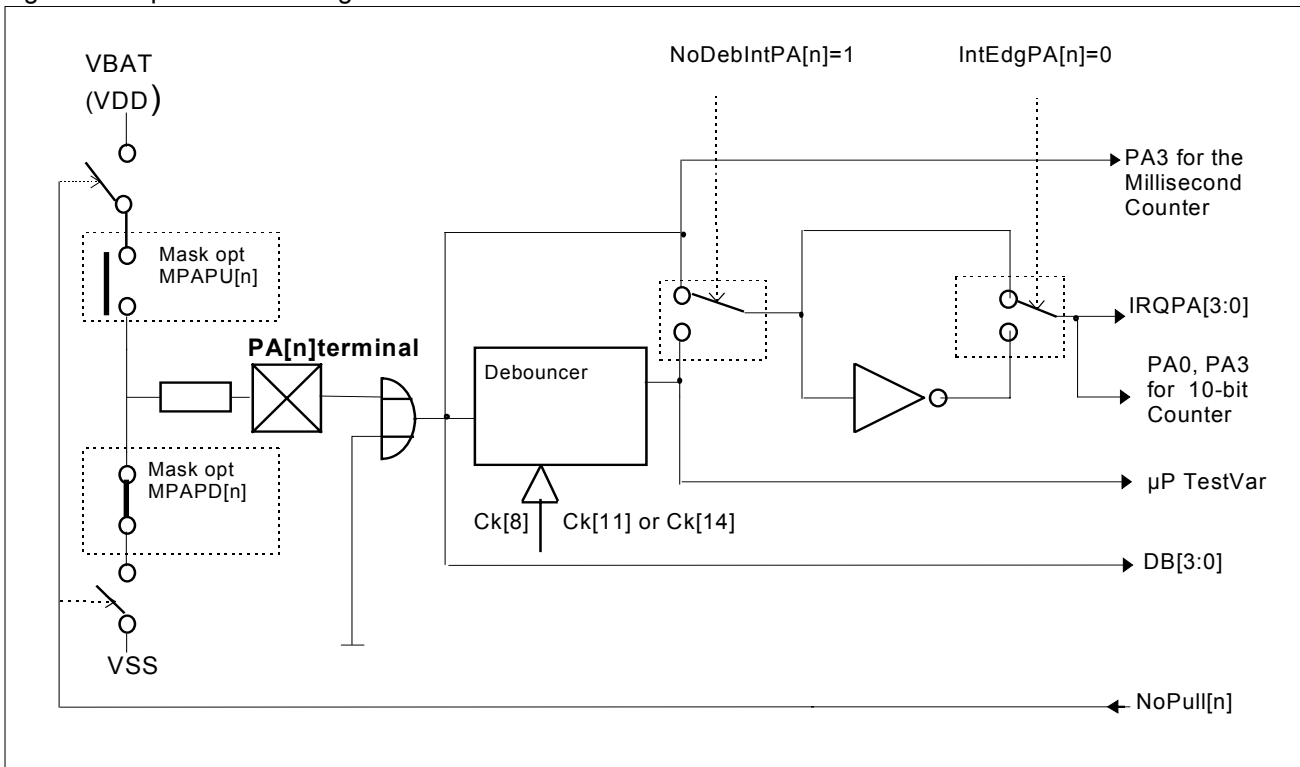
Port	Mode	Mask(M:) or Register(R:) option	Function	Bitwise Multi-Function on Ports			
				PA[3]	PA[2]	PA[1]	PA[0]
PA [3:0]	Input	M: Pull-up M: Pull-down (default) R: Pull(up/down) select R: Debounced or direct input for IRQ request and Counter R: + or - for IRQ-edge and Counter R: Input reset combination	-Input -Bit-wise interrupt request -Software test variable conditional jump -PA[3],PA[0] input for the event counter -PA[3] input for the millisecond counter -Port A reset inputs	10 bit Event Counter clock start / stop of MSC	-	-	10 bit Event Counter clock -
PB [3:0]	bit-wise input or output	R: CMOS or Nch open drain output R: Pull-down on input R: Pull-up on input	-Input or Output -PB[3] for the PWM output -PB[2:0] for the ck[16,12,1] output -Tristate output - PB[0] dynamic input comparator	PWM output	ck[1] output	ck[12] output	ck[16] output Comp. input

6.2 Port A

The EM6620 has one four bit general purpose CMOS input port. The port A input can be read at any time, pull-up or pull-down resistors can be chosen. All selections concerning port A are bit-wise executable. I.e. Pull-up on PA[2], pull-down on PA[0], positive IRQ edge on PA[0] but negative on PA[1], etc.

In sleep mode the port A inputs are continuously monitored to match the input reset condition which will immediately wake up the EM6620. The pull-up or pull-down resistors remain active as defined in the option register.

Figure 10. Input Port A Configuration



6.2.1 IRQ on Port A

For interrupt request generation (IRQ) one can choose direct or debounced input and positive or negative edge IRQ triggering. With the debouncer selected (**OPTDeblntPA**) the input must be stable for two rising edges of the selected debouncer clock (**RegPresc**). This means a worst case of 16ms(default) or 2ms (0.25ms by metal mask) with a system clock of 32kHz.

Either a positive or a negative edge on the port A inputs - after debouncer or not - can generate an interrupt request. This selection is done in the option register **OPTIntEdgPA**.

All four bits of port A can provide an IRQ, each pin with its own interrupt mask bit in the **RegIRQMask1** register. When an IRQ occurs, inspection of the **RegIRQ1**, **RegIRQ2** and **RegIRQ3** registers allow the interrupt to be identified and treated.

At power on or after any reset the **RegIRQMask1** is set to 0, thus disabling any input interrupt. A new interrupt is only stored with the next active edge after the corresponding interrupt mask is cleared. See also the interrupt chapter 9.

It is recommended to mask the port A IRQ's while one changes the selected IRQ edge. Else one may generate a IRQ (Software IRQ). I.e. PA[0] on '0' then changing from positive to negative edge selection on PA[0] will immediately trigger an IRQPA[0] if the IRQ was not masked.

6.2.2 Pull-up/down

Each of the input port terminals PA[3:0] has a resistor integrated which can be used either as pull-up or pull-down resistor, depending on the selected metal mask options. The pull resistor can be inhibited using the **NoPullPA[n]** bits in the register **OptNoPullPA**. Refer also to chapter 16.1.1 .

Table 6.2.1. Pull-up or Pull-down Resistor on Port A select

Option mask pull-up MPAPU[n]	Option mask pull-down MPAPD[n]	NoPullPA[n] value	Action
no	no	x	no pull-up, no pull-down
no	yes	0	no pull-up, pull-down
no	yes	1	no pull-up, no pull-down
yes	no	0	pull-up, no pull-down
yes	no	1	no pull-up , no pull-down
yes	yes	x	not allowed*

with
n=0...3

* only pull-up or pull-down may be chosen on any port A terminal (one choice is excluding the other)

Any port A input must never be left open (high impedance state, not connected, etc.) unless the internal pull resistor is in place (mask option) and switched on (register selection). Any open input may draw a significant cross current which adds to the total chip consumption.

6.2.3 Software test variables

The port A terminals PA[2:0] are also used as input conditions for conditional software branches. Independent of the **OptDebIntPA** and the **OPTIntEdgPA**. These CPU inputs are always debounced and non-inverted.

- debounced PA[0] is connected to CPU TestVar1
- debounced PA[1] is connected to CPU TestVar2
- debounced PA[2] is connected to CPU TestVar3

6.2.4 Port A for 10-Bit Counter and MSC

The PA[0] and PA[3] inputs can be used as the clock input terminal for the 10 bit counter in "event count" mode. As for the IRQ generation one can choose debouncer or direct input with the register **OPTDebIntPA** and non-inverted or inverted input with the register **OPTIntEdgPA**. Debouncer input is always recommended.

Pad input PA[3] is also used as start/stop control for the millisecond counter. This control signal is derived from PA[3], it is independent of the port A debouncer and edge selection. Refer also to Figure 10.

6.3 Port A registers

Table 6.3.1 Register RegPA

Bit	Name	Reset	R/W	Description
3	PA[3]	-	R*	PA[3] input status
2	PA[2]	-	R*	PA[2] input status
1	PA[1]	-	R*	PA[1] input status
0	PA[0]	-	R*	PA[0] input status

* Direct read on Port A terminals

Table 6.3.2 Register RegIRQMask1

Bit	Name	Reset	R/W	Description
3	MaskIRQPA[3]	0	R/W	Interrupt mask for PA[3] input
2	MaskIRQPA[2]	0	R/W	Interrupt mask for PA[2] input
1	MaskIRQPA[1]	0	R/W	Interrupt mask for PA[1] input
0	MaskIRQPA[0]	0	R/W	Interrupt mask for PA[0] input

Default "0" is: interrupt request masked, no new request stored

Table 6.3.3 Register RegIRQ1

Bit	Name	Reset	R/W	Description
3	IRQPA[3]	0	R/W*	Interrupt request on PA[3]
2	IRQPA[2]	0	R/W*	Interrupt request on PA[2]
1	IRQPA[1]	0	R/W*	Interrupt request on PA[1]
0	IRQPA[0]	0	R/W*	Interrupt request on PA[0]

W*; Write "1" clears the bit, write "0" has no action, Default "0" is: No Interrupt request

Table 6.3.4 Register OPTIntEdgPA

Bit	Name	power on value	R/W	Description
3	IntEdgPA[3]	0	R/W	Interrupt edge select for PA[3]
2	IntEdgPA[2]	0	R/W	Interrupt edge select for PA[2]
1	IntEdgPA[1]	0	R/W	Interrupt edge select for PA[1]
0	IntEdgPA[0]	0	R/W	Interrupt edge select for PA[0]

Default "0" is: Positive edge selection

Table 6.3.5 Register OPTDebIntPA

Bit	Name	power on value	R/W	Description
3	NoDebIntPA[3]	0	R/W	Interrupt debounced for PA[3]
2	NoDebIntPA[2]	0	R/W	Interrupt debounced for PA[2]
1	NoDebIntPA[1]	0	R/W	Interrupt debounced for PA[1]
0	NoDebIntPA[0]	0	R/W	Interrupt debounced for PA[0]

Default "0" is: Debounced inputs for interrupt generation

Table 6.3. Register OPTNoPullPA

Bit	Name	power on value	R/W	Description
3	NoPullPA[3]	0	R/W	Pull-up/down selection on PA[3]
2	NoPullPA[2]	0	R/W	Pull-up/down selection on PA[2]
1	NoPullPA[1]	0	R/W	Pull-up/down selection on PA[1]
0	NoPullPA[0]	0	R/W	Pull-up/down selection on PA[0]

Default "0" is depending on mask selection.

6.4 Port B

The EM6620 has one four bit general purpose I/O port. Each bit can be configured individually by software for input/output, pull-up, pull-down and CMOS or Nch. open drain output type. The port outputs either data, frequency or PWM signals.

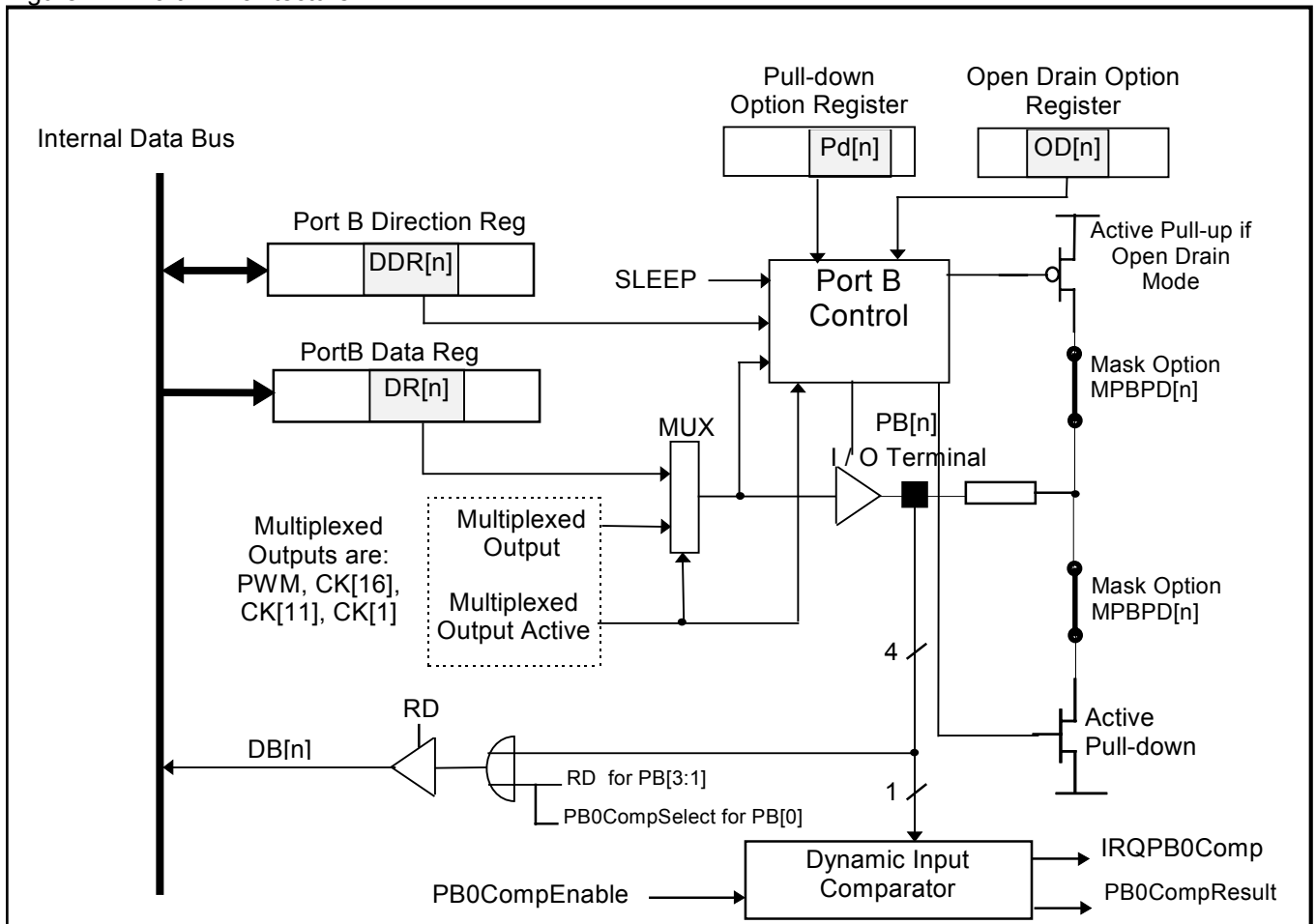
6.4.1 Input / Output Mode

Each port B terminal is bit-wise bi-directional. The input or output mode on each port B terminal is set by writing the corresponding bit in the **RegPBCntI** control register. To set for input (default), 0 is written to the corresponding bit of the **RegPBCntI** register which results in a high impedance state for the output driver. The output mode is set by writing 1 in the control register, and consequently the output terminal follows the status of the bits in the **RegPBData** register.

The port B terminal status can be read on address **RegPBData** even in output mode. Be aware that the data read on port B is not necessary of the same value as the data stored on **RegPBData** register. See also Figure 11 for details.

While the dynamic input comparator is selected (**PB0CompSel = '1'**) the PB[0] input is cut off, a read on port B PPB[0] returns '1'.

Figure 11. Port B Architecture



6.4.2 Pull-up/Down

For each terminal of PB[3:0] an internal input pull-up (metal mask MPBPU[n]) or pull-down (metal mask MPBPD[n]) resistor can be connected per metal mask option. Per default the two resistors are in place. In this case one can chose per software to have either a pull-up, a pull-down or no resistor. See below.

For Metal mask selection and available resistor values refer to chapter 16.1.2.

Pull-down ON : MPBPD[n] must be in place ,
AND the bit **NoPdPB**[n] must be '0' .

Pull-down OFF: MPBPD[n] is not in place,
OR if MPBPD[n] is in place **NoPdPB**[n] = '1' cuts off the pull-down.
OR selecting **NchOpDPB**[n] = '1' cuts off the pull-down.

Pull-up ON * : MPBPU[n] must be in place,
AND the bit **NchOpDPB**[n] must be '1' ,
AND the bit **PBIOCntI**[n] = '0' (input mode) **OR** if **PBIOCntI**[n] = '1' while **PBData**[n] = 1.

Pull-up OFF* : MPBPU[n] is not in place,
OR if MPBPU[n] is in place **NchOpDPB**[n] = '0' cuts off the pull-up,
OR if MPBPU[n] is in place and if **NchOpDPB**[n] = '1' then **PBData**[n] = 0 cuts off the pull-up.

Never can pull-up and pull-down be active at the same time.

For **POWER SAVING** one can switch off the port B pull resistors between two read phases. No cross current flows in the input amplifier while the port B is not read. The recommended order is :

- switch on the pull resistor.
- allow sufficient time - RC constant - for the pull resistor to drive the line to either VSS or VDD.
- Read the port B
- Switch off the pull resistor

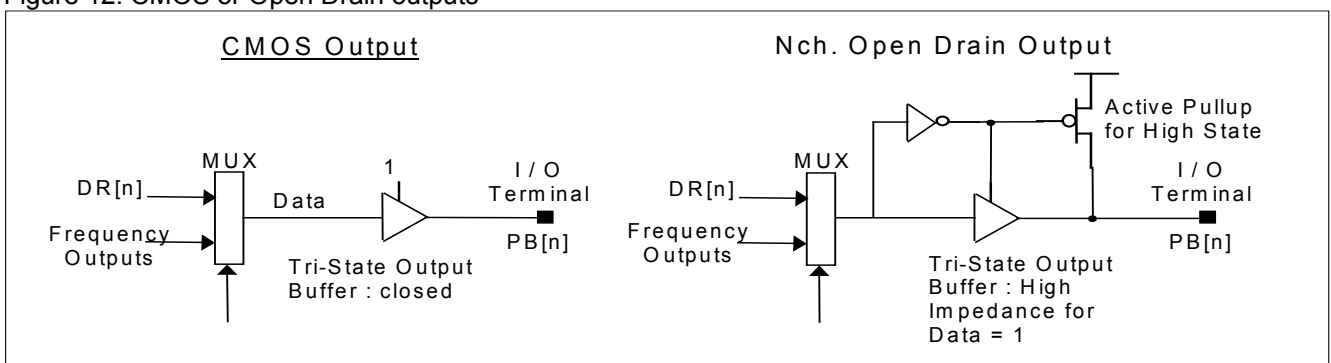
Minimum time with current on the pull resistor is 4 periods of the system clock, if the RC constant is lower than 1 system clock period. Adding a NOP before reading moves the number of periods with current in the pull resistor to 6 and the maximum RC delay to 3 clock periods.

6.4.3 CMOS / NCH. Open Drain Output

The port B outputs can be configured as either CMOS or Nch. open drain outputs. In CMOS both logic '1' and '0' are driven out on the terminal. In Nch. open drain only the logic '0' is driven out on the terminal, the logic '1' value is defined by the internal pull-up resistor (if implemented) or high impedance.

If using the Dynamic Input Comparator one must put the PB[0] in CMOS input mode and should not use any pull resistor on this terminal. If not doing so the device may draw excessive current.

Figure 12. CMOS or Open Drain outputs





6.4.4 PWM and Frequency output

PB[3] can also be used to output the PWM (Pulse Width Modulation) signal from the 10-Bit Counter, the Ck[16], Ck[11] as well as the Ck[1] prescaler frequencies.

- Selecting ck[16] output on PB[0] with bit **PB32kHzOut** in register **OPTSelPB**
- Selecting ck[11] output on PB[1] with bit **PB2kHzOut** in register **OPTSelPB**
- Selecting ck[1] output on PB[2] with bit **PB1HzOut** in register **OPTSelPB**
- Selecting PWM output on PB[3] with bit **PWMon** in register **RegPresc.**

6.5 PB[0] Dynamic Input Comparator

The EM6620 has one dynamic input comparator on PB[0], such that PB[0] input voltage level is compared at regular intervals (ck[12] clock period) with the SVLD detection level (default : 2.0V).

To select this function, the bit **PB0CompSelect** in register **RegPB0Comp** must be set to "1". If using the Dynamic Input Comparator one must put the PB[0] in CMOS input mode and should not use any pull resistor on this terminal.

The Comparator shares the same internal block as the SVLD function, so one can only use one or the other function at the same time. With bit **PB0CompSelect** set to '1' the Comparator is chosen, '0' selects the SVLD.

Setting the bit **PB0CompEnable** to "1" enables the measurements.

The worst case first measurement time is :

ck[9] clock period + ck[14] clock period (synchronization + effective measurement)
(32kHz -> 4.125ms)

The time between two consecutive effective measurements is equal to 3 ck[14] clock periods. The measurement stops at the end of the next measurement cycle after **PB0CompEnable** is cleared. At the end of each measurement, the result is stored in **PB0CompResult** bit. At any time during the measurement **PB0CompResult** bit can be read : If the result is

- "0", the input level is greater than the detection level
- "1", the input level is lower than the detection level.

An interrupt request **IRQPB0Comp** is generated on each result change except after the first measurement. This interrupt request can be masked (default) (**MaskIRQPB0Comp** bit). See section 9 for more information about the interrupt handling. See also section Supply Voltage Level Detector on page 33.

6.6 Port B registers

Table 6.6.1 Register RegPBData

Bit	Name	Reset	R/W	Description
3	PBData[3]	-	R* /W	PB[3] input and output
2	PBData[2]	-	R* /W	PB[2] input and output
1	PBData[1]	-	R* /W	PB[1] input and output
0	PBData[0]	-	R* /W	PB[0] input and output

R* : Direct read on port B terminal (not the internal register read).

Table 6.6.2 Register RegPBCntI

Bit	Name	Reset	R/W	Description
3	PBIOCntI[3]	0	R/W	I/O control for PB[3]
2	PBIOCntI[2]	0	R/W	I/O control for PB[2]
1	PBIOCntI[1]	0	R/W	I/O control for PB[1]
0	PBIOCntI[0]	0	R/W	I/O control for PB[0]

Default "0" is: PortB in input mode

Table 6.6.3 Register RegPB0Comp

Bit	Name	Reset	R/W	Description
3	--	--	--	
2	PB0CompResult	0	R	Comparator result flag
1	PB0CompEnable	0	R/W	Comparator measurements enable
0	PB0CompSelect	0	R/W	Dynamic input Comparator function

Default "0" is: Power supply voltage level detection

Table 6.6.4 register OPTFSELPB

Bit	Name	power on value	R/W	Description
3	PB1HzOut	0	R/W	Ck[1] output on PB[2]
2	PB2kHzOut	0	R/W	Ck[12] output on PB[1]
1	PB32kHzOut	0	R/W	Ck[16] output on PB[0]
0	NoInputRes	0	R/W	No Input Reset From Port A

Default "0" is: No frequency output, Port A can reset the EM6620.

Table 6.6.5 option register OPTNoPdPB

Bit	Name	power on value	R/W	Description
3	NoPdPB[3]	0	R/W	No pull-down on PB[3]
2	NoPdPB[2]	0	R/W	No pull-down on PB[2]
1	NoPdPB[1]	0	R/W	No pull-down on PB[1]
0	NoPdPB[0]	0	R/W	No pull-down on PB[0]

Default "0" is: Pull-down on

Table 6.6.6 option register OPTNchOpDPB

Bit	Name	power on value	R/W	Description
3	NchOpDPB[3]	0	R/W	Nch. Open Drain on PB[3]
2	NchOpDPB[2]	0	R/W	Nch. Open Drain on PB[2]
1	NchOpDPB[1]	0	R/W	Nch. Open Drain on PB[1]
0	NchOpDPB[0]	0	R/W	Nch. Open Drain on PB[0]

Default "0" is: CMOS on PB[3..0]

7. 10-bit Counter

The EM6620 has a built-in universal cyclic counter. It can be configured as 10, 8, 6 or 4-bit counter. If 10-bits are selected we call that **full bit** counting, if 8, 6 or 4-bits are selected we call that **limited bit** counting.

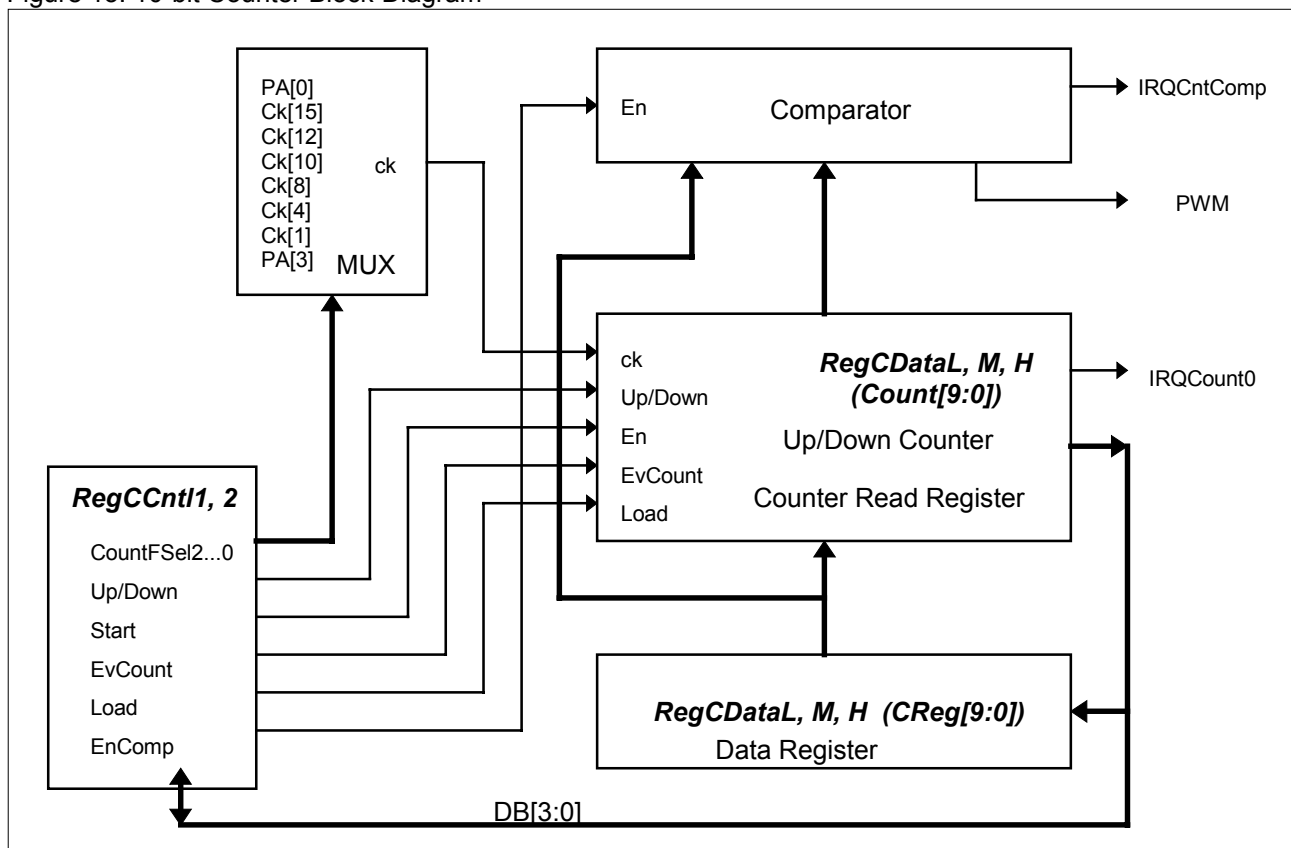
The counter works in up- or down count mode. Eight clocks can be used as the input clock source, six of them are prescaler frequencies and two are coming from the input pads PA[0] and PA[3]. In this case the counter can be used as an event counter.

The counter generates an interrupt request **IRQCount0** every time it reaches 0 in down count mode or 3FF in up count mode. Another interrupt request **IRQCntComp** is generated in compare mode whenever the counter value matches the compare data register value. Each of this interrupt requests can be masked (default). See section 9 for more information about the interrupt handling.

A 10-bit data register **CReg[9:0]** is used to initialize the counter at a specific value (load into **Count[9:0]**). This data register (**CReg[9:0]**) is also used to compare its value against **Count[9:0]** for equivalence.

A Pulse-Width-Modulation signal (PWM) can be generated and output on port B terminal PB[3].

Figure 13. 10-bit Counter Block Diagram



7.1 Full and Limited Bit Counting

In Full Bit Counting mode the counter uses its maximum of 10-bits length (default). With the **BitSel[1,0]** bits in register **RegCDataH** one can lower the counter length, for IRQ generation, to 8, 6 or 4 bits. This means that actually the counter always uses all the 10-bits, but **IRQCount0** generation is only performed on the number of selected bits. The unused counter bits may or may not be taken into account for the **IRQComp** generation depending on bit **SelIntFull**. Refer to chapter 7.4.

Table 6.6.1. Counter length selection

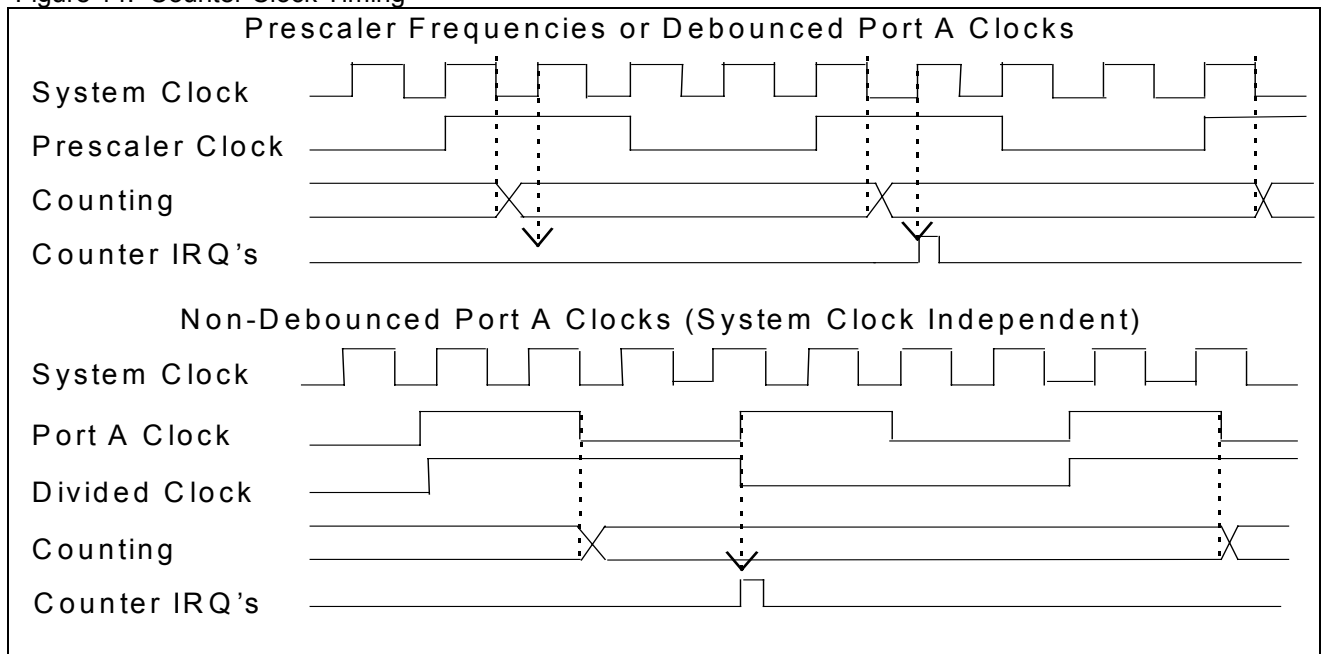
BitSel[1]	BitSel[0]	counter length
0	0	10-Bit
0	1	8-Bit
1	0	6-Bit
1	1	4-Bit

7.2 Frequency Select and Up/Down Counting

8 different input clocks can be selected to drive the Counter. The selection is done with bits **CountFSel2...0** in register **RegCCnt11**. 6 of this input clocks are coming from the prescaler. The maximum prescaler clock frequency for the counter is half the system clock and the lowest is 1Hz. Therefore a complete counter roll over can take as much as 17.07 minutes (1Hz clock, 10 bit length) or as little as 977 μ s (Ck[15], 4 bit length). The **IRQCount0**, generated at each roll over, can be used for time bases, measurements length definitions, input polling, wake up from Halt mode, etc. The **IRQCount0** and **IRQComp** are generated with the system clock Ck[16] rising edge. IRQCount0 condition in up count mode is : reaching 3FF if 10-bit counter length (or FF, 3F, F in 8, 6, 4-bit counter length). In down count mode the condition is reaching '0'. The non-selected bits are 'don't care'. For IRQComp refer to section 7.4.

Note: The Prescaler and the Microprocessor clock's are usually non-synchronous, therefore time bases generated are max. n, min. n-1 clock cycles long (n being the selected counter start value in count down mode). However the prescaler clock can be synchronized with μ P commands using for instance the prescaler reset function.

Figure 14. Counter Clock Timing



The two remaining clock sources are coming from the PA[0] or PA[3] terminals. Refer to the Figure 10 on page 14 for details. Both sources can be either debounced (Ck[11] or Ck[8]) or direct inputs, the input polarity can also be chosen. The output after the debouncer polarity selector is named PA3 , PA0 respectively. For the debouncer and input polarity selection refer to chapter 6.2.

In the case of port A input clock without debouncer, the counting clock frequency will be half the input clock on port A. The counter advances on every odd numbered port A negative edge (divided clock is high level). IRQCount0 and IRQComp will be generated on the rising PA3 or PA0 input clock edge. In this condition the EM6621 is able to count with a higher clock rate as the internal system clock (Hi-Frequency Input). Maximum port A input frequency is limited to 200kHz (@VDD \geq 1.5 V). If higher frequencies are needed, please contact EM-Marin.

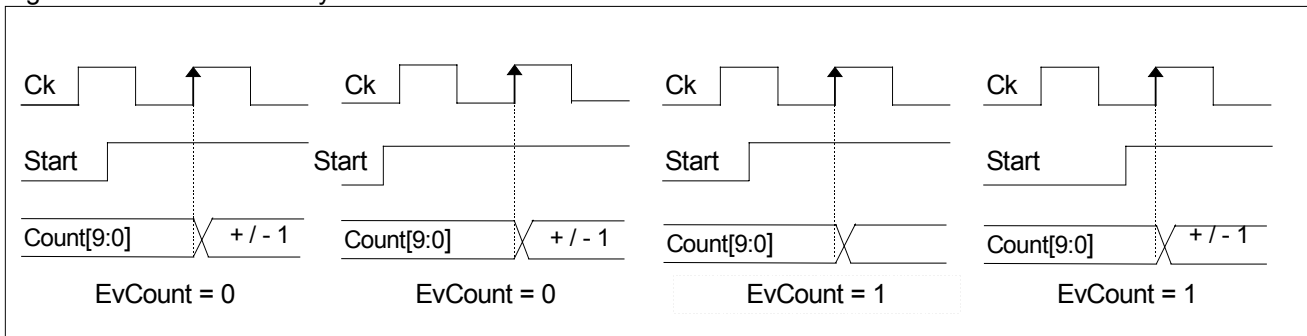
In both, up or down count (default) mode, the counter is cyclic. The counting direction is chosen in register **RegCCnt11** bit **Up/Down** (default '0' is down count). The counter increases or decreases its value with each positive clock edge of the selected input clock source. Start up synchronization is necessary because one can not always know the clock status when enabling the counter. With EvCount=0, the counter will only start on the next positive clock edge after a previously latched negative edge, while the **Start** bit was already set to '1'. This synchronization is done differently if event count mode (bit **EvCount**) is chosen. Refer also to Figure 15. Internal Clock Synchronization.

7.3 Event Counting

The counter can be used in a special event count mode where a certain number of events (clocks) on the PA[0] or PA[3] input are counted. In this mode the counting will start directly on the next active clock edge on the selected port A input.

The Event Count mode is switched on by setting bit **EvCount** in the register **RegCCntI2** to '1'. PA[3] and PA[0] inputs can be inverted depending on register **OPTIntEdgPA** and should be debounced. The debouncer is switched on in register **OPTDeblntPA** bits **NoDeblntPA[3,0]=0**. Its frequency depends on the bit **DebSel** from register **RegPresc** setting. The inversion of the internal clock signal derived from PA[3] or PA[0] is active with **IntEdgPA[3]** respectively **IntEdgPA[0]** equal to 1. Refer also to Figure 10 for internal clock signal generation.

Figure 15. Internal Clock Synchronization



7.4 Compare Function

A previously loaded register value (**CReg[9:0]**) can be compared against the actual counter value (**Count[9:0]**). If the two are matching (equality) then an interrupt (**IRQComp**) is generated. The compare function is switched on with the bit **EnComp** in the register **RegCCntI2**. With **EnComp = 0** no **IRQComp** is generated. Starting the counter with the same value as the compare register is possible, no IRQ is generated on start. Full or Limited bit compare are possible, defined by bit **SellntFull** in register **RegSysCntI1**.

EnComp must be written after a load operation (**Load = 1**). Every load operation resets the bit **EnComp**.

Full bit compare function.

Bit **SellntFull** is set to '1'. The function behaves as described above independent of the selected counter length. Limited bit counting together with full bit compare can be used to generate a certain amount of **IRQCount0** interrupts until the counter generates the **IRQComp** interrupt. With **PWMOn='1'** the counter would have automatically stopped after the **IRQComp**, with **PWMOn='0'** it will continue until the software stops it. **EnComp** must be cleared before setting **SellntFull** and before starting the counter again. Be careful, **PWMOn** also redefines the port B PB[3] output data.(refer to section 7.5).

Limited bit compare

With the bit **SellntFull** set to '0' (default) the compare function will only take as many bits into account as defined by the counter length selection **BitSel[1:0]** (see chapter 7.1).

7.5 Pulse Width Modulation (PWM)

The PWM generator uses the behavior of the Compare function (see above) so **EnComp** must be set to activate the PWM function.. At each Roll Over or Compare Match the PWM state - which is output on port B PB[3] - will toggle. The start value on PB[3] is forced while **EnComp** is 0 the value is depending on the up or down count mode. Every counter value load operation resets the bit **EnComp** and therefore the PWM start value is reinstalled.

Setting **PWMOn** to '1' in register **RegPresc** routes the counter PWM output to port B terminal PB[3]. Insure that PB[3] is set to output mode . Refer to section 6.4 for the port B setup.

The PWM signal generation is independent of the limited or full bit compare selection bit **SellntFull**. However if **SellntFull = 1** (FULL) and the counter compare function is limited to lower than 10 bits one can generate a predefined number of output pulses. In this case, the number of output pulses is defined by the value of the unused counter bits. It will count from the start value until the **IRQComp** match.

One must not use a compare value of hex 0 in up count mode nor a value of hex 3FF (or FF,3F, F if limited bit compare) in down count mode.

For instance, loading the counter in up count mode with hex 000 and the comparator with hex C52 which will be identified as :

- bits[11:10] are limiting the counter to limits to 4 bits length, =03 (BitSel[1,0])
- bits [9:4] are the unused counter bits = hex 05 (bin 000101), (number of PWM pulses)
- bits [3:0] (comparator value = 2). (length of PWM pulse)

Thus after 5 PWM-pulses of 2 clocks cycles length the Counter generates an **IRQComp** and stops. The same example with SellntFull=0 (limited bit compare) will produce an unlimited number of PWM at a length of 2 clock cycles.

7.5.1 How the PWM Generator works.

For Up Count Mode; Setting the counter in up count and PWM mode the PB[3] PWM output is defined to be 0 (**EnComp**=0 forces the PWM output to 0 in upcount mode, 1 in downcount). Each Roll Over will set the output to '1' and each Compare Match will set it back to '0'. The Compare Match for PWM always only works on the defined counter length. This, independent of the SellntFull setting which is valid only for the IRQ generation. Refer also to the compare setup in chapter 7.4.

In above example the PWM starts counting up on hex 0,
 2 cycles later compare match -> PWM to '0',
 14 cycles later roll over -> PWM to '1'
 2 cycles later compare match -> PWM to '0' , etc. until the completion of the 5 pulses.

The normal IRQ generation remains on during PWM output. If no IRQ's are wanted, the corresponding masks need to be set.

Figure 16. PWM Output in Up Count Mode

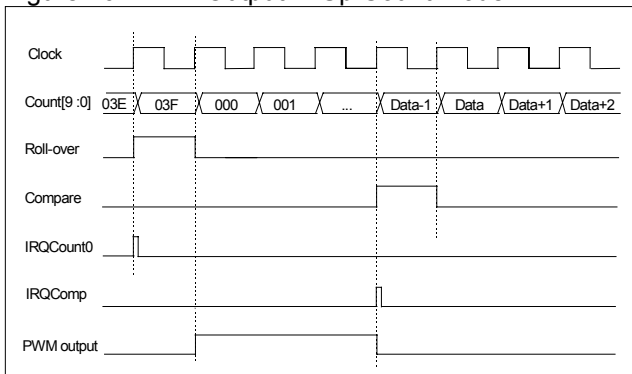
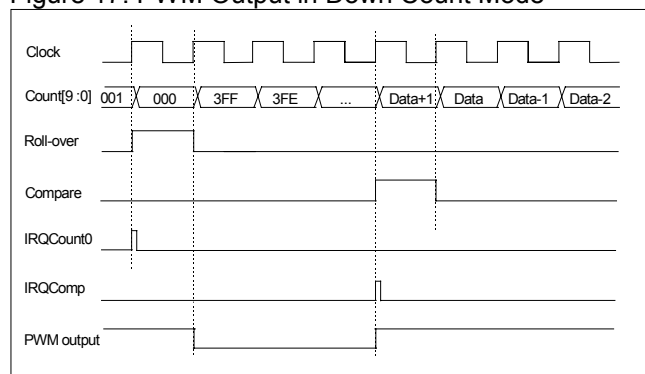


Figure 17. PWM Output in Down Count Mode



In Down Count Mode everything is inverted. The PWM output starts with the '1' value. Each Roll Over will set the output to '0' and each Compare Match will set it back to '1'. For limited pulse generation one must load the complementary pulse number value. I.e. for 5 pulses counting on 4 bits load bits[9 :4] with hex 3A (bin 111010).

7.5.2 PWM Characteristics

PWM resolution is : 10bits (1024 steps), 8bits (256 steps), 6bits (64 steps) or 4 bits (16 steps)
 the minimal signal period is : 16 (4-bit) x Fmax* -> 16 x 1/Ck[15] -> 977 μs (32 KHz)
 the maximum signal period is : 1024 x Fmin* -> 1024 x 1/Ck[1] -> 1024 s (32 KHz)
 the minimal pulse width is : 1 bit -> 1 x 1/Ck[15] -> 61 μs (32 KHz)

* This values are for Fmax or Fmin derived from the internal system clock (32kHz). Much shorter (and longer) PWM pulses can be achieved by using the port A as frequency input.

One must not use a compare value of hex 0 in up count mode nor a value of hex 3FF (or FF,3F, F if limited bit compare) in downcount mode.

7.6 Counter Setup

RegCDataL[3:0], **RegCDataM[3:0]**, **RegCDataH[1:0]** are used to store the initial count value called **CReg[9:0]** which is written into the count register bits **Count[9:0]** when writing the bit **Load** to '1' in **RegCCntI2**. This bit is automatically reset thereafter. The counter value **Count[9:0]** can be read out at any time, except when using non-debounced high frequency port A input clock. To maintain data integrity the lower nibble **Count[3:0]** must always be read first. The **ShCount[9:4]** values are shadow registers to the counter. To keep the data integrity during a counter read operation (3 reads), the counter values [9:4] are copied into these registers with the read of the count[3:0] register. If using non-debounced high frequency port A input the counter must be stopped while reading the **Count[3:0]** value to maintain the data integrity.

In down count mode an interrupt request **IRQCount0** is generated when the counter reaches 0. In up count mode, an interrupt request is generated when the counter reaches 3FF (or FF,3F,F if limited bit counting).

Never an interrupt request is generated by loading a value into the counter register.

When the counter is programmed from up into down mode or vice versa, the counter value **Count[9:0]** gets inverted. As a consequence, the initial value of the counter must be programmed after the **Up/Down** selection.

Loading the counter with hex 000 is equivalent to writing stop mode, the **Start** bit is reset, no interrupt request is generated.

How to use the counter;

If PWM output is required one has to put the port B[3] in output mode and set PWMOn=1 in step 5.

- 1st, set the counter into stop mode (**Start**=0).
- 2nd, select the frequency and up- or down count mode in **RegCCntI1**.
- 3rd, write the data registers **RegCDataL**, **RegCDataM**, **RegCDataH** (counter start value and length)
- 4th, load the counter, **Load**=1, and choose the mode. (**EvCount**, **EnComp**=0)
- 5th, select bits **PWMOn** in **RegPresc** and **SelIntFull** in **RegSysCntI1**
- 6th, if compare mode desired, then write **RegCDataL**, **RegCDataM**, **RegCDataH** (compare value)
- 7th, set bit **Start** and select **EnComp** in **RegCCntI2**

7.7 10-bit Counter Registers

Table 7.7.1 Register RegCCntI1

Bit	Name	Reset	R/W	Description
3	Up/Down	0	R/W	Up or down counting
2	CountFSel2	0	R/W	Input clock selection
1	CountFSel1	0	R/W	Input clock selection
0	CountFSel0	0	R/W	Input clock selection

Default : PA0 ,selected as input clock, Down counting

Table 7.7.2 Counter Input Frequency Selection with CountFSel[2..0]

CountFSel2	CountFSel1	CountFSel0	clock source selection
0	0	0	Port A PA[0]
0	0	1	Prescaler Ck[15]
0	1	0	Prescaler Ck[12]
0	1	1	Prescaler Ck[10]
1	0	0	Prescaler Ck[8]
1	0	1	Prescaler Ck[4]
1	1	0	Prescaler Ck[1]
1	1	1	Port A PA[3]



Table 7.7.3 Register RegCCntI2

Bit	Name	Reset	R/W	Description
3	Start	0	R/W	Start/Stop control
2	EvCount	0	R/W	Event counter enable
1	EnComp	0	R/W	Enable comparator
0	Load	0	R/W	Write: load counter register; Read: always 0

Default : Stop, no event count, no comparator, no load

Table 7.7.4 Register RegSysCntI1

Bit	Name	Reset	R/W	Description
3	<i>IntEn</i>	0	R/W	<i>General interrupt enable</i>
2	<i>SLEEP</i>	0	R/W	<i>Sleep mode</i>
1	SelIntFull	0	R/W	Compare Interrupt select
0	<i>ChTmDis</i>	0	R/W	<i>For EM test only</i>

Default : Interrupt on limited bit compare

Table 7.7.5 Register RegCDataL, Counter/Compare Low Data Nibble

Bit	Name	Reset	R/W	Description
3	CReg[3]	0	W	Counter data bit 3
2	CReg[2]	0	W	Counter data bit 2
1	CReg[1]	0	W	Counter data bit 1
0	CReg[0]	0	W	Counter data bit 0
3	Count[3]	0	R	Data register bit 3
2	Count[2]	0	R	Data register bit 2
1	Count[1]	0	R	Data register bit 1
0	Count[0]	0	R	Data register bit 0

Table 7.7.6 Register RegCDataM, Counter/Compare Middle Data Nibble

Bit	Name	Reset	R/W	Description
3	CReg[7]	0	W	Counter data bit 7
2	CReg[6]	0	W	Counter data bit 6
1	CReg[5]	0	W	Counter data bit 5
0	CReg[4]	0	W	Counter data bit 4
3	ShCount[7]	0	R	Data register bit 7
2	ShCount[6]	0	R	Data register bit 6
1	ShCount[5]	0	R	Data register bit 5
0	ShCount[4]	0	R	Data register bit 4

Table 7.7.7 Register RegCDataH, Counter/Compare High Data Nibble

Bit	Name	Reset	R/W	Description
3	BitSel[1]	0	R/W	Bit select for limited bit count/compare
2	BitSel[0]	0	R/W	Bit select for limited bit count/compare
1	CReg[9]	0	W	Counter data bit 9
0	CReg[8]	0	W	Counter data bit 8
1	ShCount[9]	0	R	Data register bit 9
0	ShCount[8]	0	R	Data register bit 8

Table 7.7.8 Counter Length Selection

BitSel[1]	BitSel[0]	counter length
0	0	10-Bit
0	1	8-Bit
1	0	6-Bit
1	1	4-Bit

8. Millisecond Counter

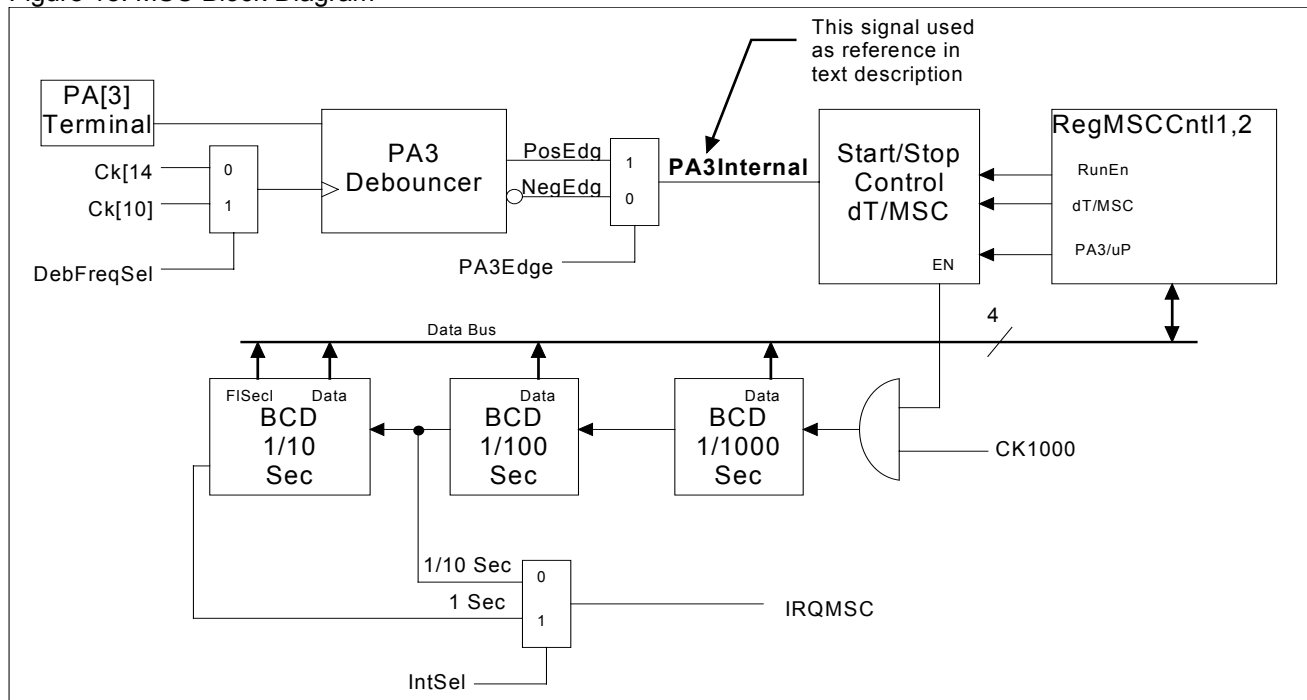
The EM6620 has a built-in millisecond binary coded decimal counter. It can be used to measure the time elapsed between two events (hardware or software events). With a system clock of 32kHz, the counter generates every 1/10 second or every second an interrupt request.

The counter value read on registers **RegMSCDataL**, **RegMSCDataM** and **RegMSCDataH** is in binary coded decimal format (000 to 999). To maintain the data integrity for the 3 decimal digits inside **BCD[11:0]** one must stop the counter while reading the full 3 digit value.

An overflow flag **FISec** is set whenever the counter reached 999. This flag is helpful when the counter is used in polling mode and twice the same value is read. In this case, if the flag is set to 1, it indicates that the two readings were 1 second apart, in the case the flag is not set, the two readings must have been very short one after the other. After every read of **RegMSCCntI2** the **FISec** gets automatically reset.

The millisecond counter is reset with every system reset. Setting the **ResMSC** flag located in register **RegMSCCntI1** resets the counter value only. This flag is automatically reset after the write operation. For good resolution in Pa3-mode use the Ck[14] debouncer clock (250us). Or if the 1/1000 sec is not relevant then choose Ck[10] (4ms) as debouncer clock. Doing so will save power. The debouncer selection is made in register **RegMSCCntI2** bit **DebFreqSel**.

Figure 18. MSC Block Diagram



Changing **PA3Edge** while **RunEn=1** or **PA3/up=1** may generate a MSC event (start or stop). This behavior is useful for the - CPU controlled start and PA3 controlled stop - mode, But in general one does all the setup before starting the counter.

8.1 PA[3] Input for MSC

In hardware Start/Stop mode the counter is triggered with the port A terminal PA[3] input. In this case PA[3] is debounced with the prescaler Ck[14] (or Ck[10]) clock. The triggering edge selection is made with bit **PA3Edge** in register **RegMSCCntI2** (default negative edge). The PA[3] input for the millisecond counter is totally independent of the PA[3] interrupt edge selection and the PA[3] polarity selection for the 10 bit counter. However the pull-up or pull-down selection is common to all peripherals sharing the port A.

8.2 IRQ from MSC

An Interrupt request **IRQMSC** is send on either every 1/10 seconds or every second, depending on the bit **IntSel** in register **RegMSCCntI2**. For interrupt handling please refer to the interrupt control section.

8.3 MSC-Modes

The millisecond counter can have many different modes of operation. The most common are :

- CPU controlled start and stop.
- CPU controlled start and PA[3] controlled stop.
- Port A terminal PA[3] controlled start and stop mode.
- Pulse width measurement of port A terminal PA[3] input signals.

All these different modes are controlled with the bits in the registers **RegMSCnt1** and **RegMSCnt2**. The main bits are :

- **dT/MSC** ; Pulse-width or start stop measure. This bit only has a action if PA[3] input is chosen. If pulse-width measure is selected, the counter starts with the first active edge on PA[3] and stops with the next inverse edge (sets **RunEn** = 0). If MSC measure selected, the counter starts with the first active PA[3] edge, stops on the next, restarts on the following etc. It does not reset **RunEn**.
- **PA3/μP** ; Direct port A terminal PA[3] or CPU (μP) controlled start and stop function. If direct PA[3] controlled start stop mode is chosen the counter, once enabled by setting **RunEn/Stop** = 1, starts counting on the first active edge seen on PA[3]. It stops counting depending on the **dT/MSC** bit either on the next inverse edge or on the next active edge. If **μP** is chosen, the counter starts and stops depending on bit **RunEn/Stop**.
- **RunEn/Stop**; In CPU mode this bit starts or stops the counter. In PA3 mode it enables the counter which will start with the next event on port A terminal PA[3]. If **dT** and PA3 mode, the **RunEn** gets reset with the second active PA[3] edge.
- **PA3Edge** ; This bit selects the active PA[3] edge which will trigger the **dT/MSC** selected measurement mode. It has no effect if **PA3/μP**=0. Default 0 is negative edge.

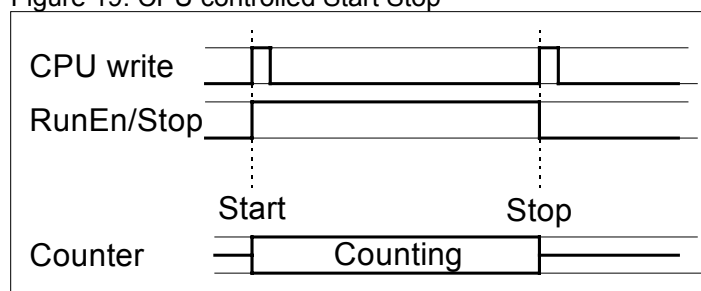
8.4 Mode selection

Before using, the MSC counter needs to be reset by setting bit **ResMSC** to '1'. This bit is automatically reset thereafter. Then select the IRQ frequency and the counting mode. Now the **RunEn** can be set to '1' . To display the counter value during run you may only want to read the MSB (1/10 sec) digit ,driven by IRQ or with polling, and fully read the MSC value only once the counter is stopped. The counter data registers are read only. Any Reset (system reset, POR, watchdog) is setting the MSC into stop mode and clears the counter registers.

• CPU controlled Start and Stop

As soon as the CPU writes the start bit **RunEn/Stop**=1 the counter starts up counting until the CPU clears the start bit. The bit **PA3/μP** is '0' for this mode.

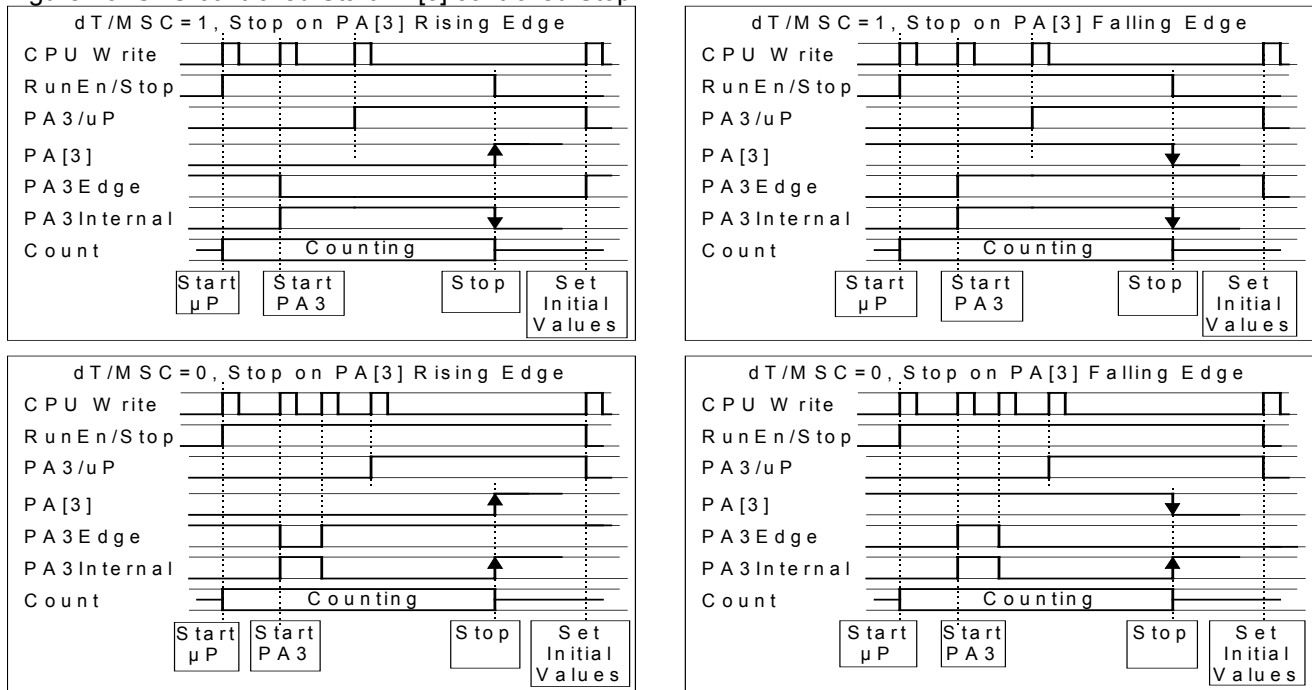
Figure 19. CPU controlled Start Stop



- **CPU controlled Start and PA[3] controlled Stop.**

In this mode setting the bit **RunEn=1** while **PA3/uP=0** while immediately start the counting action. Afterwards one needs to prepare for the stop by PA[3]. Therefore the PA[3] start condition must first be fulfilled. This is in **dT** mode a rising edge on the PA3internal signal (PA3internal, refer to Figure 18). In **MSC** mode the start condition is a positive pulse on PA3internal signal. The creation of this edge or pulse is done per software by manipulating the **PA3Edge** selection. See Figure 20 for details. Afterwards one can change to PA3 controlled stop mode (**PA3/uP=1**) where the next positive edge on PA3internal will stop the Counter. In **dT** mode the **RunEn/stop** bit will be cleared with the PA3 stop condition where as in **MSC** mode **MSC** mode the **RunEn** is not cleared.

Figure 20. CPU controlled Start PA[3] controlled Stop



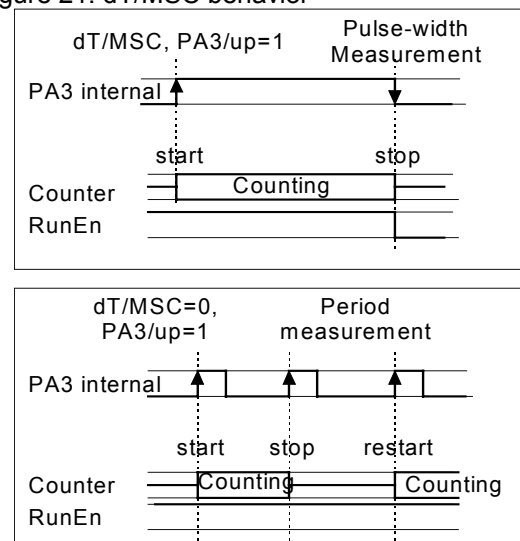
- **Pulse-width measurement of PA[3] Input Signals.**

In this mode the bit **dT/MSC=1** and **PA3/uP=1**. Setting **RunEn/stop=1** enables the operation. The first positive edge on PA3Internal signal will start the counter, the following negative edge will stop the counter end set bit **RunEn/Stop** to 0. PA3internal signal is a copy of the PA[3] terminal status if **PA3Edge=1**. with **PA3Edge=0** PA3Internal has the inverted PA[3] value. See also Figure 18 and Figure 21.

- **Port A PA[3] controlled Start and Stop Mode.**

In this mode the bit **dT/MSC=0** and **PA3/uP=1**. Setting **RunEn/stop=1** enables the operation. The first positive edge on PA3Internal signal will start the counter, the second edge will stop the counter, the third one will restart, etc. PA3internal signal is a copy of the PA[3] terminal status if **PA3Edge=1**. With **PA3Edge=0** PA3Internal has the inverted PA[3] value. See also Figure 18 and Figure 21.

Figure 21. dT/MSC behavior



8.5 Millisecond Counter Registers

Table 8.5.1 Register RegMSCCnt1

Bit	Name	Reset	R/W	Description
3	RunEn/Stop	0	R/W	Enable counter
2	PA3/ μ P	0	R/W	Port A or CPU start stop control
1	dT/MSC	0	R/W	Pulse-width measurement
0	ResMSC	0	R/W	Reset if write of 1 Read value is always 0

Default: Stop, CPU controlled.

Table 8.5.2 Register RegMSCCnt2

Bit	Name	Reset	R/W	Description
3	DebFreqSel	0	R/W	Debouncer frequency select
2	PA3Edge	0	R/W	PA[3] edge selection
1	IntSel	0	R/W	Interrupt source selection
0	FIsec	0	R	Seconds flag

Default: Ck[14] is debouncer clock, negative edge, 1/10 Sec Interrupt requests

Table 8.5.3 Register RegMSCDataL

Bit	Name	Reset	R/W	Description
3	BCD[3]	0	R	1/1000 Seconds BCD value 3
2	BCD[2]	0	R	1/1000 Seconds BCD value 2
1	BCD[1]	0	R	1/1000 Seconds BCD value 1
0	BCD[0]	0	R	1/1000 Seconds BCD value 0

Table 8.5.4 Register RegMSCDataM

Bit	Name	Reset	R/W	Description
3	BCD[7]	0	R	1/100 Seconds BCD value 3
2	BCD[6]	0	R	1/100 Seconds BCD value 2
1	BCD[5]	0	R	1/100 Seconds BCD value 1
0	BCD[4]	0	R	1/100 Seconds BCD value 0

Table 8.5.5 Register RegMSCDataH

Bit	Name	Reset	R/W	Description
3	BCD[11]	0	R	1/10 Seconds BCD value 3
2	BCD[10]	0	R	1/10 Seconds BCD value 2
1	BCD[9]	0	R	1/10 Seconds BCD value 1
0	BCD[8]	0	R	1/10 Seconds BCD value 0

9. Interrupt Controller

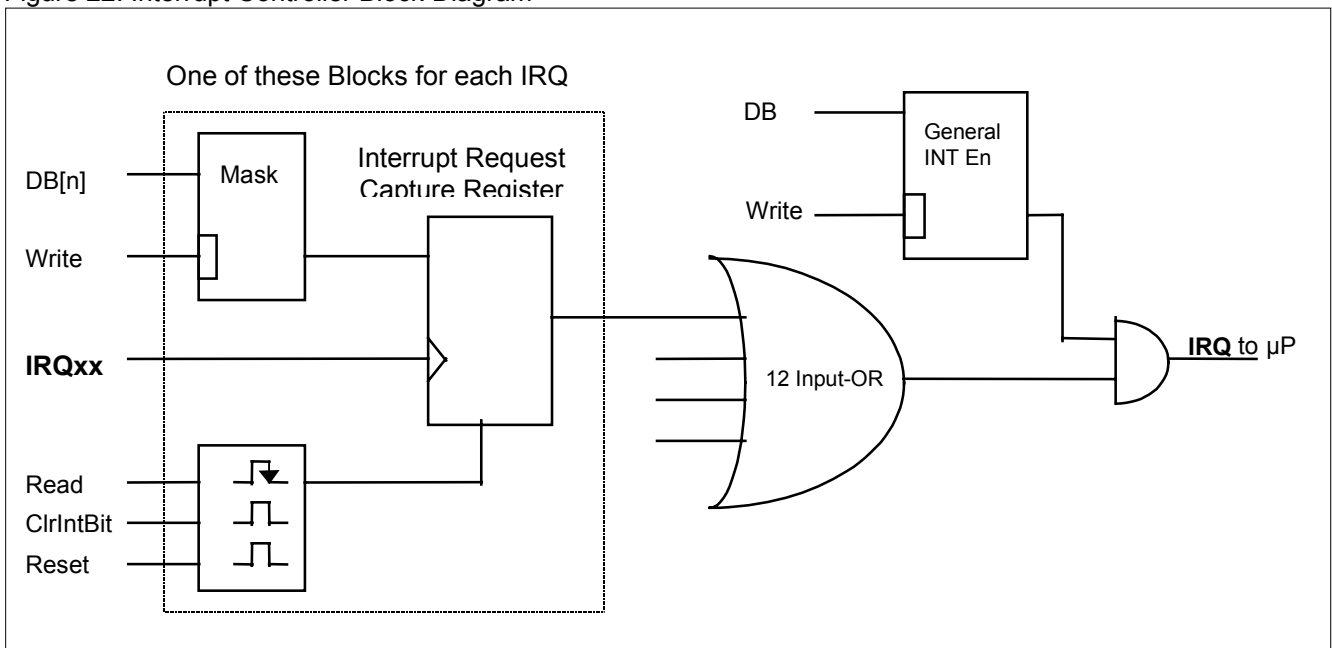
The EM6620 has 12 different interrupt request sources individually maskable. These are:

External(5)	<ul style="list-style-type: none"> - Port A, - Compare 	<ul style="list-style-type: none"> PA[3] .. PA[0] inputs PB[0] input
Internal(8)	<ul style="list-style-type: none"> - Prescaler - Millisecond Counter - 10-bit Counter - SVLD 	<ul style="list-style-type: none"> ck[1], Blink, 32Hz/8Hz 1/10Sec or 1Sec Count0, CountComp End of measure

The SVLD and the Compare share the same interrupt line.

To be able to send an interrupt to the CPU, at least one of the interrupt request flags must be set (**IRQxx**) and the general interrupt enable bit **IntEn** located in the register **RegSysCntl1** must be set to 1. The interrupt request flags can only be set by a positive edge of **IRQxx** with the corresponding mask register bit (**MaskIRQxx**) set to 1.

Figure 22. Interrupt Controller Block Diagram



At power on or after any reset all interrupt request mask registers are cleared and therefore do not allow any interrupt request to be stored. Also the general interrupt enable **IntEn** is set to 0 (No IRQ to CPU) by reset.

After each read operation on the interrupt request registers **RegIRQ1**, **RegIRQ2** or **RegIRQ3** the contents of the addressed register are reset. Therefore one has to make a copy of the interrupt request register if there was more than one interrupt to treat. Each interrupt request flag may also be reset individually by writing 1 into it (**ClrIntBit**).

Interrupt handling priority must be resolved through software by deciding which register and which flag inside the register need to be serviced first.

Since the CPU has only one interrupt subroutine and because the **IRQxx** registers are cleared after reading, the CPU does not miss any interrupt request which comes during the interrupt service routine. If any occurs during this time a new interrupt will be generated as soon as the software comes out of the current interrupt subroutine.

Any interrupt request sent by a peripheral cell while the corresponding mask is not set will not be stored in the interrupt request register. All interrupt requests are stored in their **IRQxx** registers depending only on their corresponding mask setting and not on the general interrupt enable status. Whenever the EM6620 goes into HALT Mode the **IntEn** bit is automatically set to 1, thus allowing to resume from Halt Mode with an interrupt.

9.1 Interrupt control registers

Table 9.1.1 Register RegIRQ1

Bit	Name	Reset	R/W	Description
3	IRQPA[3]	0	R/W*	Port A PA[3] interrupt request
2	IRQPA[2]	0	R/W*	Port A PA[2] interrupt request
1	IRQPA[1]	0	R/W*	Port A PA[1] interrupt request
0	IRQPA[0]	0	R/W*	Port A PA[0] interrupt request

W*; Writing of 1 clears the corresponding bit.

Table 9.1.2 Register RegIRQ2

Bit	Name	Reset	R/W	Description
3	IRQHz1	0	R/W*	Prescaler interrupt request
2	IRQHz32/8	0	R/W*	Prescaler interrupt request
1	IRQBlink	0	R/W*	Prescaler interrupt request
0	IRQPB0Comp	0	R/W*	Compare interrupt request

W*; Writing of 1 clears the corresponding bit.

Table 9.1.3 Register RegIRQ3

Bit	Name	Reset	R/W	Description
3	IRQVLD	0	R/W*	VLD interrupt request
2	IRQMSC	0	R/W*	Millisecond Counter int. request
1	IRQCount0	0	R/W*	Counter interrupt request
0	IRQCntComp	0	R/W*	Counter interrupt request

W*; Writing of 1 clears the corresponding bit.

Table 9.1.4 Register RegIRQMask1

Bit	Name	Reset	R/W	Description
3	MaskIRQPA[3]	0	R/W	Port A PA[3] interrupt mask
2	MaskIRQPA[2]	0	R/W	Port A PA[2] interrupt mask
1	MaskIRQPA[1]	0	R/W	Port A PA[1] interrupt mask
0	MaskIRQPA[0]	0	R/W	Port A PA[0] interrupt mask

Interrupt is not stored if the mask bit is 0.

Table 9.1.5 register RegIRQMask2

Bit	Name	Reset	R/W	Description
3	MaskIRQHz1	0	R/W	Prescaler interrupt mask
2	MaskIRQHz32/8	0	R/W	Prescaler interrupt mask
1	MaskIRQBlink	0	R/W	Prescaler interrupt mask
0	MaskIRQPB0Comp	0	R/W	Compare interrupt mask

Interrupt is not stored if the mask bit is 0.

Table 9.1.6 register RegIRQMask3

Bit	Name	Reset	R/W	Description
3	MaskIRQVLD	0	R/W	VLD interrupt mask
2	MaskIRQMSC	0	R/W	Millisecond Counter interrupt mask
1	MaskIRQCount0	0	R/W	Counter interrupt mask
0	MaskIRQCntComp	0	R/W	Counter interrupt mask

Interrupt is not stored if the mask bit is 0

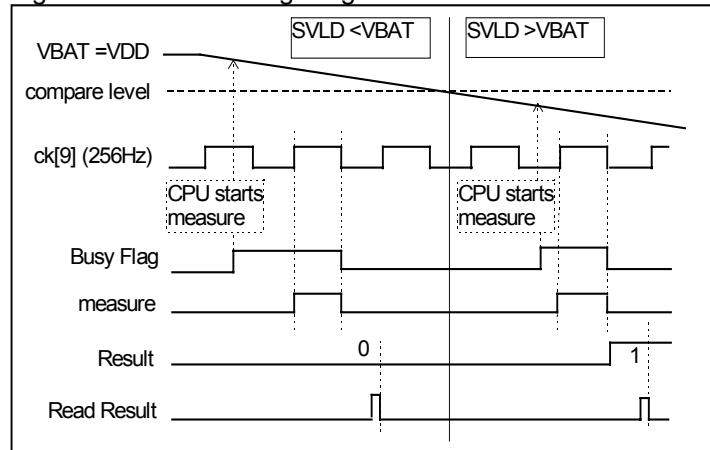
10. Supply Voltage Level Detector

The EM6620 has a built-in Supply Voltage Level Detector (SVLD), such that the CPU can compare the supply voltage against a pre-selected value. During Sleep Mode this function is inhibited.

The CPU activates the supply voltage level detector by writing **VldStart=1** in the register **RegVldCntl**. The actual measurement starts on the next **ck[9]** rising edge and lasts during the **ck[9]** high period (2ms at 32kHz). The busy flag **VldBusy** stays high from **Start** set until the measurement is finished. The worst case time until the result is available is 1.5 **ck[9]** prescaler clock periods (32kHz -> 6ms).

During the actual measurement the device will draw an additional 5uA of **IVDD** current. After the end of the measure an interrupt request **IRQVLD** is generated and the result is available by inspection of the bit **VLDResult**. If the result is read 0, then the power supply voltage was greater than the detection level value. If read 1, the power supply voltage was lower than the detection level value. During each read while **Busy=1** the **VLDResult** is not guaranteed.

Figure 23. SVLD Timing Diagram



During each read while **Busy=1** the **VLDResult** is not guaranteed.

10.1 SVLD Register

Table 10.1.1 register RegVldCntl

Bit	Name	Reset	R/W	Description
3	VLDResult	0	R*	VLD result flag
2	VLDStart	0	W	VLD start
2	VLDBusy	0	R	VLD busy flag
1	NoOscWD	0	R/W	No Oscillator watchdog
0	NoLogicWD	0	R/W	No logic watchdog

R*; VLDResult is not guaranteed while VLDBusy=1

The SVLD and the PB0 Input Comparator are using the same internal measurement block. Therefore only one of the two functions can be activated at the same time.

11. RAM

The EM6620 has one 64x4 bit RAM built-in located on addresses hex 0 to 3F. All the RAM nibbles are direct addressable.

Figure 24. RAM Architecture

64 x 4 direct addressable RAM1	
RAM1_63	4 bit R/W
RAM1_62	4 bit R/W
RAM1_61	4 bit R/W
RAM1_60	4 bit R/W
·	·
·	·
·	·
RAM1_3	4 bit R/W
RAM1_2	4 bit R/W
RAM1_1	4 bit R/W
RAM1_0	4 bit R/W

RAM Extension : Unused R/W Registers can often be used as possible RAM extension. Be careful not to use registers which start, stop, or reset some functions.

Unused LCD register latches can also be used as RAM extension. In case of 3 times multiplex and using all the 8 segment outputs you may have two additional 4 bit registers available. Also for each unused segment output you may have one additional 4 bit register.

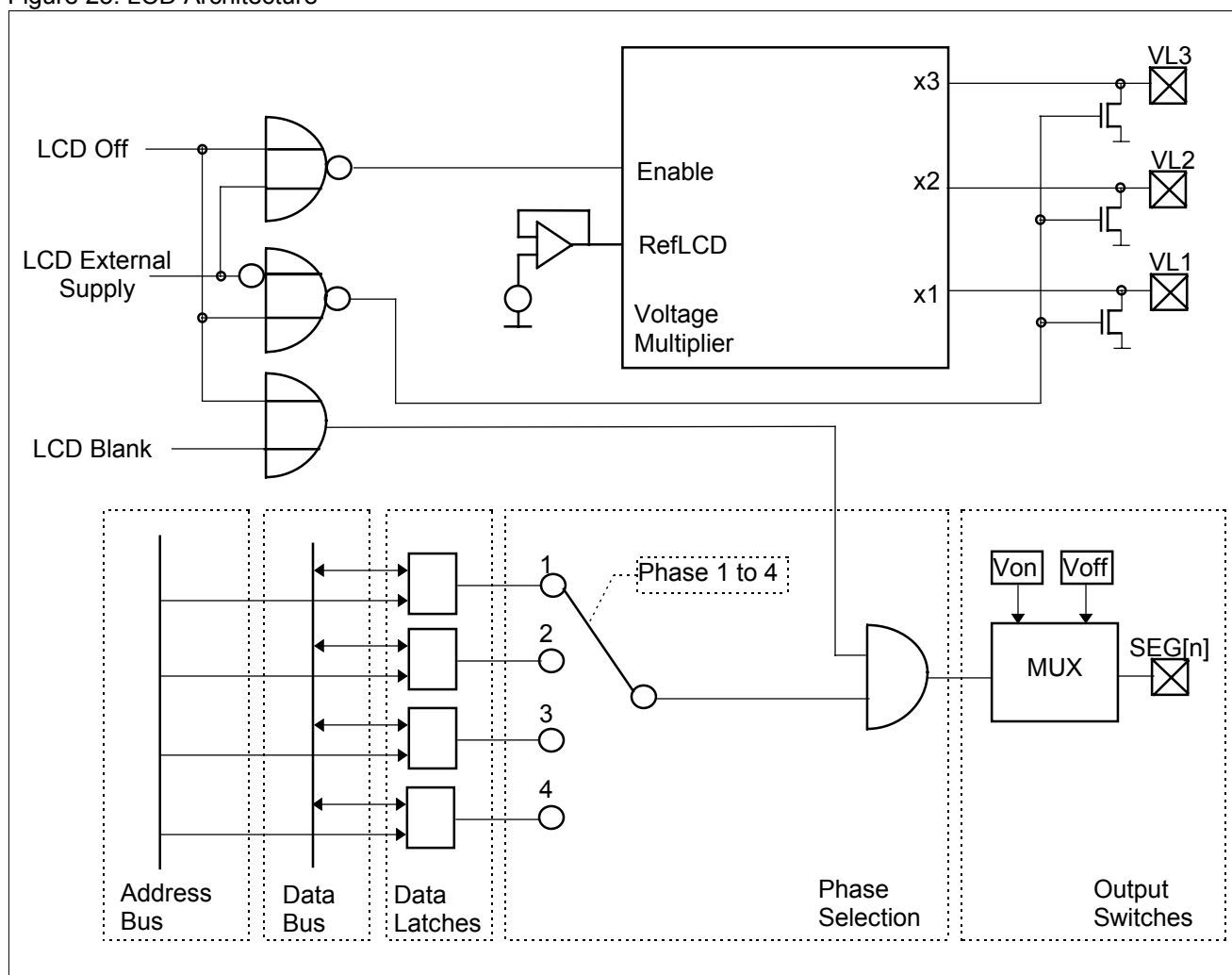
12. LCD Driver

The EM6620 has a built-in Liquid Crystal Display driver. A maximum of 32 segments can be displayed using the 8 segment driver outputs (SEG[8:1] in 4:1 multiplex - 24 segments in the case of 3:1 multiplex - and the 4 back-planes (COM[4:1]).

The LCD driver has its own voltage regulator (1.05 Volt) and voltage multiplier to generate the driver bias voltages VL1, VL2 and VL3 (VLCD). Using the metal1 mask the user can choose higher LCD reference voltages. Please check with EM Marin the possible values and their impact on power consumption.

The special architecture of this LCD driver allows the user to specify the data and address for each individual segment by metal mask option. It therefore adapts to every possible LCD display with a maximum of 32 independent segments. The LCD clock frequency is 256Hz. Thus the frame frequency is 256/8 Hz if 4:1 multiplex, or 256/6 if 3:1 multiplex.

Figure 25. LCD Architecture



12.1 LCD Control

The LCD driver has two control registers **RegLCDCntl1,2** to optimize for display contrast, power consumption, operation mode and bias voltage source.

LCDExtSupply: Choosing external supply (LcdExtSupply='1') disables the internal LCD voltage regulator and voltage multiplier, it also puts the bias voltage terminals VL1, VL2 and VL3 into high impedance state. External bias levels can now be connected to the VL1, VL2 and VL3 terminals. (Resistor divider chain or others).

Another way to adapt the VL1, VL2 and VL3 levels to specific user needs is to overdrive the VL1 output (LcdExtSupply=0) with the desired value. The internal multiplier will multiply this new VL1 level to generate the corresponding levels VL2 and VL3. The bit **LCDExtSupply** is only reset by initial POR.

LCD4Mux: With this switch one selects either 3:1 or 4:1 (default) times multiplexing of the 8 segment driver outputs. In the case of 3:1 multiplexing the COM[4] is off.

LCDOff: Disables the LCD. The voltage multiplier and regulator are switched off (0 current).The segment latch information is maintained. The VL1, VL2 and VL3 outputs are pulled to Vss.

LCDBlank: All segment outputs are turned off. The voltage multiplier and regulator remain switched on. **LcdBlank** can be used with the 1Hz and Blink interrupt to let the whole display blink (software controlled).

CkTripSel1,0: Selecting the appropriate voltage multiplier frequency to optimize display contrast and power consumption. The value to use is also depending on the selected multiplier booster capacitors (typically 100nF).

12.2 LCD addressing

The LCD driver addressing is direct using the registers **LCD_0**, **LCD_1**, **LCD_2** until **LCD_15**. All LCD Segment registers are R/W..

A total of 16 addresses are available to the user to define the addressing of the LCD segment latches. For each of these latches the user may also choose the data bit to be connected. See also section 12.3. However only 8x4 LCD segment latches are implemented. The unused address and bit locations are empty and can not be used as RAM.

Figure 26. LCD addressing

16 x 4 direct addressable LCD latches but maximum 8x4 bits are R/W	
LCD_15	4 bit R/W
LCD_14	4 bit R/W
LCD_13	4 bit R/W
LCD_12	4 bit R/W
LCD_11	4 bit R/W
LCD_10	4 bit R/W
LCD_9	4 bit R/W
LCD_8	4 bit R/W
LCD_7	4 bit R/W
LCD_6	4 bit R/W
LCD_5	4 bit R/W
LCD_4	4 bit R/W
LCD_3	4 bit R/W
LCD_2	4 bit R/W
LCD_1	4 bit R/W
LCD_0	4 bit R/W

12.3 Free segment allocation

Each segment (SEG[8:1]) terminal outputs the time multiplexed information from its 4 segment data latches. Data latch 1 outputs during phase1, latch 2 during phase 2, latch 3 during phase 3 and latch 4 during phase 4. In the case of 3 to 1 multiplexing the phase 4 is not used. This phase information together with the Common (COM[4:1]), also called Back-planes, outputs defines if a given segment is light or not. COM[1] is on during phase 1 and off during phase 2,3,4 , COM[2] is on during phase 2 and off during phase 1,3,4 , etc.

For each segment data latch the address location within the LCD address spacing (**LCD_15 ... LCD_0** --> **LcdAdr[15:0]**) can be user defined.

For each segment data latch the data bus connection (DB[3:0]) can be user defined.

Segment outputs	COM[1]	COM[2]	COM[3]	COM[4]
SEG[1]	DB[0], LCDAdr[0]	DB[1], LCDAdr[0]	DB[2], LCDAdr[0]	DB[3], LCDAdr[0]
SEG[2]	DB[0], LCDAdr[1]	DB[1], LCDAdr[1]	DB[2], LCDAdr[1]	DB[3], LCDAdr[1]
SEG[3]	DB[0], LCDAdr[2]	DB[1], LCDAdr[2]	DB[2], LCDAdr[2]	DB[3], LCDAdr[2]
...
SEG[6]	DB[0], LCDAdr[5]	DB[1], LCDAdr[5]	DB[2], LCDAdr[5]	DB[3], LCDAdr[5]
SEG[7]	DB[0], LCDAdr[6]	DB[1], LCDAdr[6]	DB[2], LCDAdr[6]	DB[3], LCDAdr[6]
SEG[8]	DB[0], LCDAdr[7]	DB[1], LCDAdr[7]	DB[2], LCDAdr[7]	DB[3], LCDAdr[7]

12.4 LCD Registers

Table 12.4.1 Register RegLcdCntl1

Bit	Name	Reset	R/W	Description
3	--			
2	--			
1	CkTripSel1	0	R/W	LCD multiplier clock select
0	CkTripSel0	0	R/W	LCD multiplier clock select

Table 12.4.2 multiplier clock frequency select

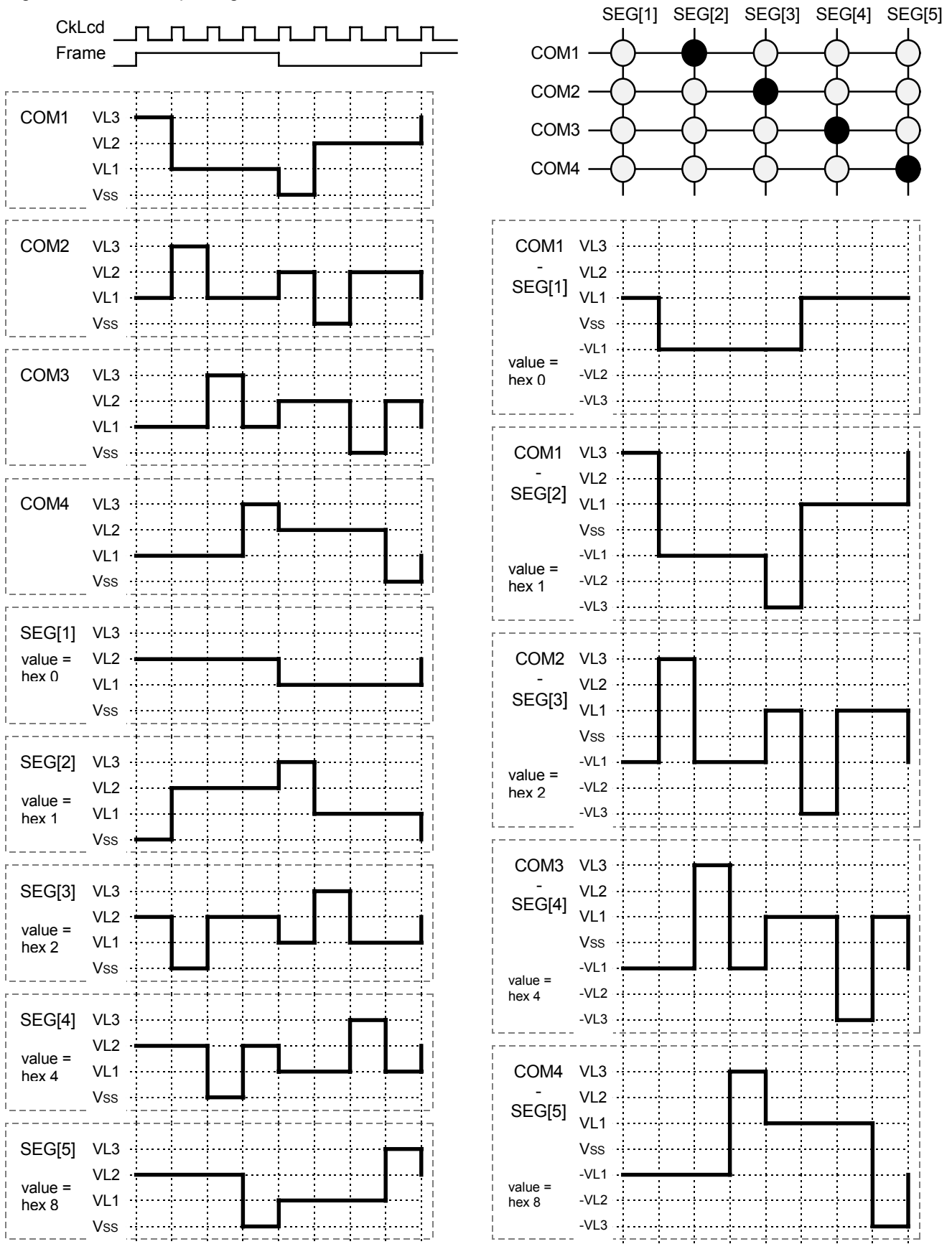
CkTripSel0	CkTripSel1	multiplier clock	on 32 KHz operation
0	0	Ck[10]	512 Hz
1	0	Ck[9]	256 Hz
0	1	Ck[8]	128 Hz
1	1	Ck[7]	64 Hz

Table 12.4.3 Register RegLcdCntl2

Bit	Name	Reset	R/W	Description
3	LCDBlank	1	R/W	LCD segment outputs off
2	LCDOff	1	R/W	LCD off (multiplier off)
1	Lcd4Mux	1	R/W	4 : 1 multiplexed
0	LCDExtSupply	X (0 on POR)	R/W	external supply for VL1, VL2 and VL3

LCDExtSupply is set to '0' by POR only

Figure 27. LCD Multiplexing Waveform





13. PERIPHERAL MEMORY MAP

Reset values are valid after power up or after every system reset.

Register Name	Add Hex	Add Dec	Reset Value	Read Bits	Write Bits	Remarks
			b'3210	Read / Write Bits		
Ram_0	00	0	xxxx	0: data0 1: data1 2: data2 3: data3		Direct addressable Ram 64x4
...
Ram_63	3F	63	xxxx	0: data0 1: data1 2: data2 3: data3		Direct addressable Ram 64x4
LCD_0	40	64	xxxx	0: Data0 1: Data1 2: Data2 3: Data3		Direct addressable LCD
...			
LCD_15	4F	79	xxxx	0: Data0 1: Data1 2: Data2 3: Data3		Direct addressable LCD
RegPA	50	80	xxxx	0: PA[0] 1: PA[1] 2: PA[2] 3: PA[3]	----	Read port A directly
RegPBCntl	51	81	0000	0: PBIOCntl[0] 1: PBIOCntl[1] 2: PBIOCntl[2] 3: PBIOCntl[3]		Port B Control Default: input mode
RegPBData	52	82	xxxx	0: PB[0] 1: PB[1] 2: PB[2] 3: PB[3]	0: PBDData[0] 1: PBDData[1] 2: PBDData[2] 3: PBDData[3]	Port B data output Pin port B read Default : 0
RegPB0Comp	53	83	0000	0: PB0CompSelect 1: PB0CompEnable 2: PB0CompResult 3: '0'	0: PB0CompSelect 1: PB0CompEnable 2: -- 3: --	Port B[0] dynamic input comparator control
RegCCntl1	5B	91	0000	0: CountFSel0 1: CountFSel1 2: CountFSel2 3: UP/Down		10 bit counter control 1; Frequency and up/down
RegCCntl2	5C	92	0000	0: '0' 1: EnComp 2: EvCount 3: Start	0 : Load 1: EnComp 2: EvCount 3: Start	10 bit counter control 2; comparison, event counter and start



Register Name	Add Hex	Add Dec	Reset Value	Read Bits	Write Bits	Remarks
			b'3210	Read / Write Bits		
RegCDataL	5D	93	0000	0: Count[0] 1: Count[1] 2: Count[2] 3: Count[3]	0: CReg[0] 1: CReg[1] 2: CReg[2] 3: CReg[3]	10 bit counter data low bits
RegCDataM	5E	94	0000	0: Count[4] 1: Count[5] 2: Count[6] 3: Count[7]	0: CReg[4] 1: CReg[5] 2: CReg[6] 3: CReg[7]	10 bit counter data middle bits
RegCDataH	5F	95	0000	0: Count[8] 1: Count[9] 2: BitSel[0] 3: BitSel[1]	0: CReg[8] 1: CReg[9] 2: BitSel[0] 3: BitSel[1]	10 bit counter data high bits
RegMSCCntl1	60	96	0000	0: '0' 1: dT/MSC 2: PA3/μP 3: RunEn/Stop	0: ResMSC 1: dT/MSC 2: PA3/μP 3: RunEn/Stop	Millisecond counter control register 1; Reset, delta time, control source
RegMSCCntl2	61	97	0000	0: FISec 1: IntSel 2: PA3Edge 3: DebFreqSel	0: -- 1: IntSel 2: PA3Edge 3: DebFreqSel	Millisecond counter control register 2; 1 sec flag, Interrupt and PA3 edge select
RegMSCDataL	62	98	0000	0: BCD[0] 1: BCD[1] 2: BCD[2] 3: BCD[3]	0: - 1: - 2: - 3: -	Millisecond counter; binary coded decimal value, low nibble
RegMSCDataM	63	99	0000	0: BCD[4] 1: BCD[5] 2: BCD[6] 3: BCD[7]	0: - 1: - 2: - 3: -	Millisecond counter; binary coded decimal value, middle nibble
RegMSCDataH	64	100	0000	0: BCD[8] 1: BCD[9] 2: BCD[10] 3: BCD[11]	0: - 1: - 2: - 3: -	Millisecond counter; binary coded decimal value, high nibble
RegIRQMask1	65	101	0000	0: MaskIRQPA[0] 1: MaskIRQPA[1] 2: MaskIRQPA[2] 3: MaskIRQPA[3]		Port A interrupt mask; masking active low
RegIRQMask2	66	102	0000	0: MaskIRQPBOComp 1: MaskIRQBlink 2: MaskIRQHz32/8 3: MaskIRQHz1		Prescaler interrupt mask; masking active low
RegIRQMask3	67	103	0000	0: MaskIRQCntComp 1: MaskIRQCount0 2: MaskIRQMSC 3: MaskIRQVLD		10 bit counter, millisecond counter, serial interrupt mask masking active low
RegIRQ1	68	104	0000	0: IRQPA[0] 1: IRQPA[1] 2: IRQPA[2] 3: IRQPA[3]	0: RIRQPA[0] 1: RIRQPA[1] 2: RIRQPA[2] 3: RIRQPA[3]	Read: Port A interrupt Write: Reset if data bit = 1
RegIRQ2	69	105	0000	0: IRQPBOComp 1: IRQBlink 2: IRQHz32/8 3: IRQHz1	0: RIRQPBOComp 1: RIRQBlink 2: RIRQHz32/8 3: RIRQHz1	Read: prescaler IRQ ; Write: Reset if data bit = 1



Register Name	Add Hex	Add Dec	Reset Value	Read Bits	Write Bits	Remarks
			b'3210	Read / Write Bits		
RegIRQ3	6A	106	0000	0: IRQCntComp 1: IRQCount0 2: IRQMSC 3: IRQVLD	0: RIRQCntComp 1: RIRQCount0 2: RIRQMSC 3: RIRQVLD	Read: 10 bit counter, millisecond counter, serial interrupt Write: Reset if data bit =1.
RegSysCntl1	6B	107	0000	0: ChTmDis 1: SellntFull 2: '0' 3: IntEn	0: ChTmDis 1: SellntFull 2: Sleep 3: IntEn	System control 1 <i>ChTmDis only usable for Em test modes with Test=1</i>
RegSysCntl2	6C	108	0p00 p=POR	0: WDVal0 1: WDVal1 2: SleepEn 3: '0'	0: -- 1: -- 2: SleepEn 3: WDRreset	System control 2; watchdog value and periodical reset, enable sleep mode
RegPresc	6D	109	0000	0: DebSel 1: PrIntSel 2: '0' 3: PWMOn	0: DebSel 1: PrIntSel 2: ResPresc 3: PWMOn	Prescaler control; debouncer and prescaler interrupt select
IXLow	6E	110	xxxx	0: IXLow[0] 1: IXLow[1] 2: IXLow[2] 3: IXLow[3]		Internal µP index register low nibble;
IXHigh	6F	111	xxxx	0: IXHigh[4] 1: IXHigh[5] 2: IXHigh[6] 3: '0'	0: IXHigh[4] 1: IXHigh[5] 2: IXHigh[6] 3: --	Internal µP index register high nibble;
RegLcdCntl1	71	113	--00	0: CkTripSel0 1: CkTripSel1 2: -- 3: --		LCD control 0 multiplier clock
RegLcdCntl2	72	114	111p p=POR	0: LCDExtSupply 1: Lcd4xMux 2: LCDOff 3: LCDBlank		LCD control 1; main selects
RegVLDCntl	73	115	0000	0: NoLogicWD 1: NoOscWD 2: VldBusy 3: VLDRresult	0: NoLogicWD 1: NoOscWD 2: VldStart 3: --	voltage level detector control

P=POR means that this bit is set to 0 on POR only.



14. Option Register Memory Map

The values of the Option Registers are set by initial reset on power up and through write operations only. Other resets as reset from watchdog, reset from input port A do not change the options register value.

Register Name	Add Hex	Add Dec	Power On Value	Read Bits	Write Bits	Remarks
			b'3210	Read / Write Bits		
OPTDebIntPA OPT[3:0]	75	117	0000	0: NoDebIntPA[0] 1: NoDebIntPA[1] 2: NoDebIntPA[2] 3: NoDebIntPA[3]		Option register; debouncer on Port A for interrupt gen. default: debouncer on
OPTIntEdgPA OPT[7:4]	76	118	0000	0: IntEdgPA[0] 1: IntEdgPA[1] 2: IntEdgPA[2] 3: IntEdgPA[3]		Option register; interrupt edge select on port A default: pos. edge
OPTNoPullPA OPT[11:8]	77	119	0000	0: NoPullPA[0] 1: NoPullPA[1] 2: NoPullPA[2] 3: NoPullPA[3]		option register; pull-down selection on port A default: pull-down
OPTNoPdPB OPT[15:12]	78	120	0000	0: NoPdPB[0] 1: NoPdPB[1] 2: NoPdPB[2] 3: NoPdPB[3]		Option register; pull-down selection on port B default: pull-down
OPTNchOpDPB OPT[19:16]	79	121	0000	0: NchOpDPB[0] 1: NchOpDPB[1] 2: NchOpDPB[2] 3: NchOpDPB[3]		Option register; n-channel open drain output on port B default: CMOS output
OPTFSeIPB OPT[31:28]	7B	123	0000	0: NoInputReset 1: PB32kHzOut 2: PB2kHzOut 3: PB1HzOut		Option register; port A input reset selection, frequency output on port B
OptInpRSEL1	7C	124	0000	0: InpRes1PA[0] 1: InpRes1PA[1] 2: InpRes1PA[2] 3: InpRes1PA[3]		Option register; port A input reset selection, refer to reset part
OptInpRSEL2	7D	125	0000	0: InpRes2PA[0] 1: InpRes2PA[1] 2: InpRes2PA[2] 3: InpRes2PA[3]		Option register; reset through port A inputs selection, refer to reset part
<i>RegTestEM</i>	<i>7F</i>	<i>127</i>	<i>----</i>	<i>----</i>	<i>accu</i>	<i>for EM test only; write accu on port B Test = 1</i>



15. Active Supply Current test

For this purpose, five instructions at the end of the ROM will be added. This will be done at EM Marin.
So the user must keep must only use up to 1275 Instructions.

```
Testloop: STI    00H, 0AH
           LDR    1BH
           NXORX
           JPZ    Testloop
           JMP    00H
```

To stay in the testloop, these values must be written in the corresponding addresses before jumping in the loop:

```
1BH:    0101b
32H:    1010b
6EH:    0010b
6FH:    0011b
```

Free space after last instruction: JMP 00H (0000)

Remark: empty space within the program are filled with NOP (FOFF).

16. Mask Options

Most options which in many μ Controllers are realized as metal mask options are directly user selectable with the option registers, therefore allowing a maximum freedom of choice. See chapter: 14.

The following options can be selected at the time of programming the metal mask ROM, except the LCD Segment allocation which is defined using the interconnect metal2 mask.

16.1 Input / Output Ports

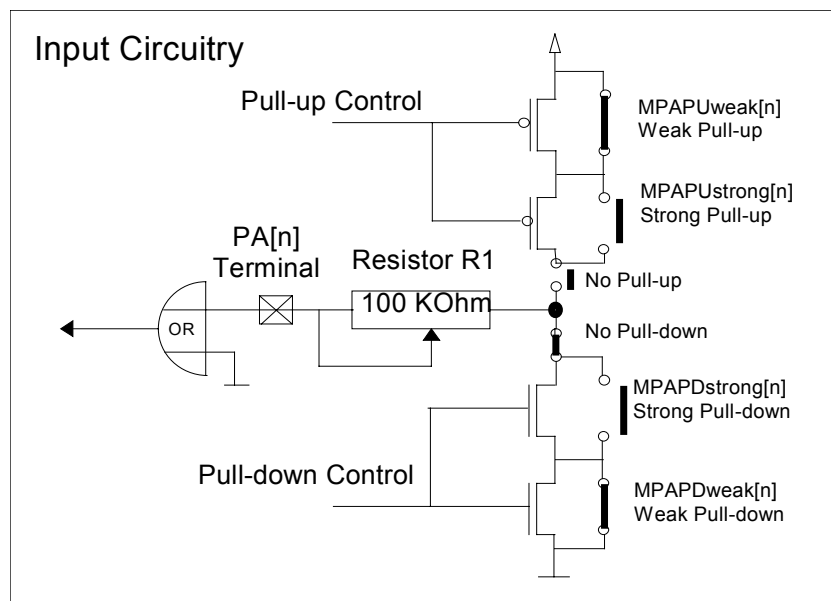
16.1.1 Port A Metal Options

Pull-up or no pull-up can be selected for each port A input. A pull-up selection is excluding a pull-down on the same input.

Pull-down (default) or no pull-down can be selected for each port A input. A pull-down selection is excluding a pull-up on the same input.

The total pull value (pull-up or pull-down) is a series resistance out of the resistance R1 and the switching transistor. As a switching transistor the user can choose between a high impedance (weak) or a low impedance (strong) switch. Weak, strong or none must be chosen. The default is strong. The default resistor R1 value is 100 KOhm. The user may choose a different value from 150 KOhm down to 0 Ohm. However the value must first be checked and agreed by EM Microelectronic Marin SA. Refer also to chapter 17.2 and 17.3 for the pull values.

Figure 28. Port A Pull Options



Option Name		Strong Pull-down	W Pull-down	R1 Value typ.100k	No Pull-down
		1	2	3	4
MPAPD[3]	PA3 input pull-down				
MPAPD[2]	PA2 input pull-down				
MPAPD[1]	PA1 input pull-down				
MPAPD[0]	PA0 input pull-down				

To select an option put an **X** in column 1,2 and 4 and reconfirm the R1 value in column 3.

The default value is : Strong pull-down with R1=100 KOhm

Option Name		Strong Pull-up	Weak Pull-up	R1 Value typ.100k	No Pull-up
		1	2	3	4
MPAPU[3]	PA3 input pull-up				
MPAPU[2]	PA2 input pull-up				
MPAPU[1]	PA1 input pull-up				
MPAPU[0]	PA0 input pull-up				

To select an option put an **X** in column 1,2 and 4 and reconfirm the R1 value in column 3.

The default value is : Strong pull-up with R1=100 KOhm

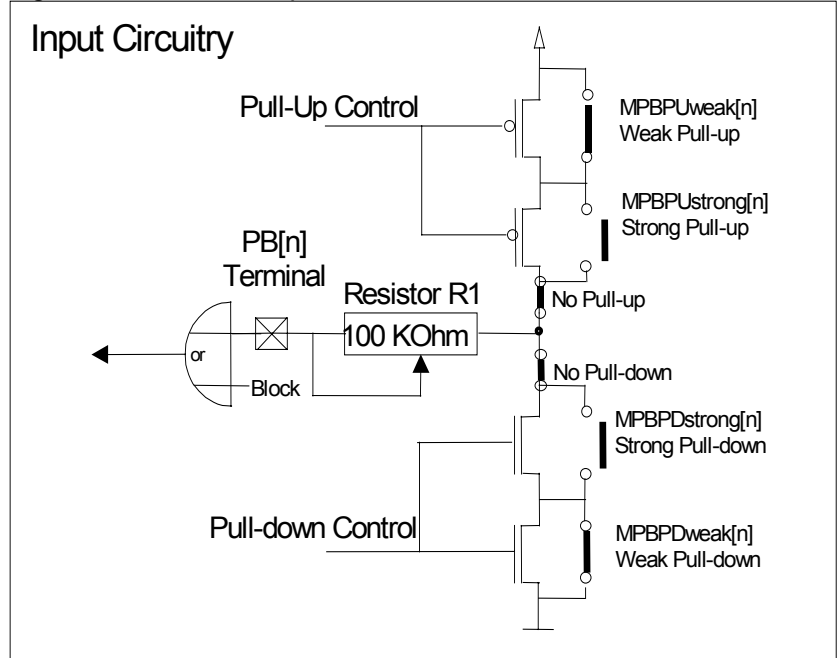
16.1.2 Port B Metal Options

Pull-up or no pull-up can be selected for each port B input. The pull-up is only active in Nch. open drain mode.

Pull-down or no pull-down can be selected for each port B input.

The total pull value (pull-up or pull-down) is a series resistance out of the resistance R1 and the switching transistor. As a switching transistor the user can choose between a high impedance (weak) or a low impedance (strong) switch. Weak, strong or none must be chosen. The default is strong. The default resistor R1 value is 100 KOhm. The user may choose a different value from 150 KOhm down to 0 Ohm. However the value must first be checked and agreed by EM Microelectronic Marin SA. Refer also to chapter 17.2 and 17.3 for the pull values.

Figure 29. Port B Pull Options



Option Name		Strong Pull-down	Weak Pull-down	R1 Value Typ. 100k	No Pull-down
		1	2	3	4
MPBPD[3]	PB3 input pull-down				
MPBPD[2]	PB2 input pull-down				
MPBPD[1]	PB1 input pull-down				
MPBPD[0]	PB0 input pull-down				

To select an option put an **X** in column 1,2 and 4 and reconfirm the R1 value in column 3.

The default value is : Strong pull-down with R1=100 KOhm

Option Name		Strong Pull-up	Weak Pull-up	R1 value Typ. 100k	NO Pull-up
		1	2	3	4
MPBPU[3]	PB3 input pull-up				
MPBPU[2]	PB2 input pull-up				
MPBPU[1]	PB1 input pull-up				
MPBPU[0]	PB0 input pull-up				

To select an option put an **X** in column 1,2 and 4 and reconfirm the R1 value in column 3.

The default value is : Strong pull-up with R1=100 KOhm

16.1.3 Voltage Regulator Option

Option name		Default value	user value
		A	B
MVreg	Voltage Regulator	YES	

By default the internal voltage regulator supplies the core logic the RAM and the ROM. With option **MVreg(B)** the regulator is cut and Vbat is supplying the core logic the ROM and the RAM.

16.1.4 SVLD and Input Comp Level Option

Option name		Default value	user value
		A	B
VSULD	Comparator Level and SVLD Level	2.0	

By default the level is 2.0 Volts. The maximum value is 3.3 Volt and the minimum is 1.2 Volts. Before choosing a value other than the default, please contact EM Microelectronic Marin SA, to check for already existing levels. The chosen value is called VSULDNom.

16.1.5 Debouncer frequency Option

Option name		Default value	user value
		A	B
MDeb	Debouncer freq.	ck[11]	

By default the debouncer frequency is ck[11]. The user may choose ck[14] instead of ck[11]. Ck[14] corresponds to maximum 0.25ms debouncer time in case of a 32kHz oscillator.

16.1.6 User defined LCD Segment allocation

If using a different segment allocation from the one described in chapter 0, one needs to fill in the table below.

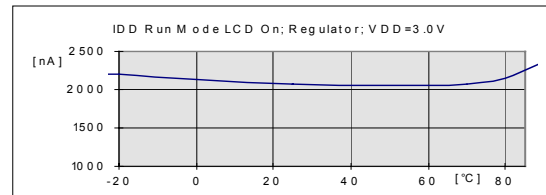
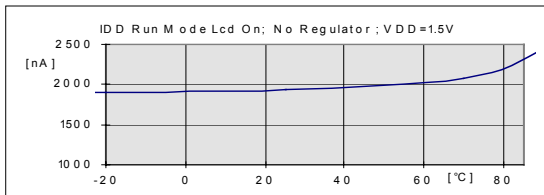
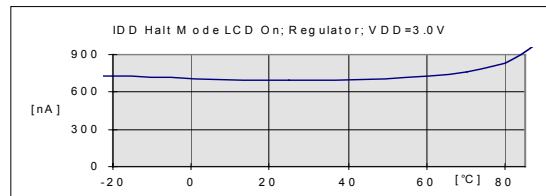
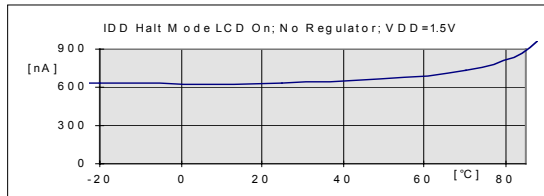
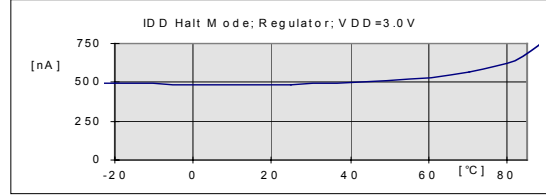
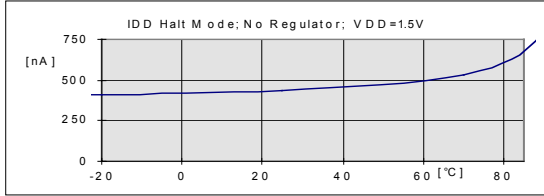
The segment allocation connections are realized with the interconnect Metal 2 mask.

in case of 4 times MUX	COM[1]	COM[2]	COM[3]	COM[4]
in case of 3 times MUX	COM[1]	COM[2]	COM[3]	--
SEG[1]				
SEG[2]				
SEG[3]				
SEG[4]				
SEG[5]				
SEG[6]				
SEG[7]				
SEG[8]				

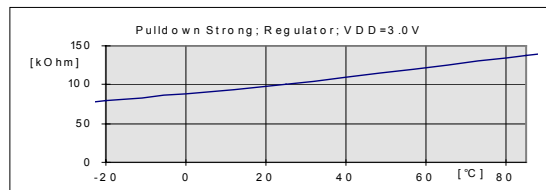
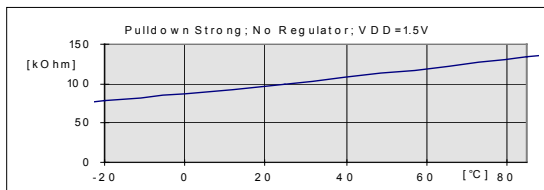
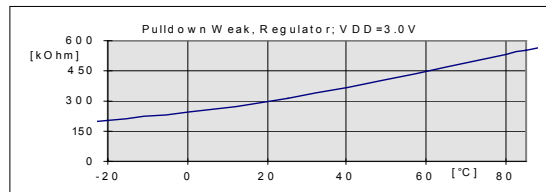
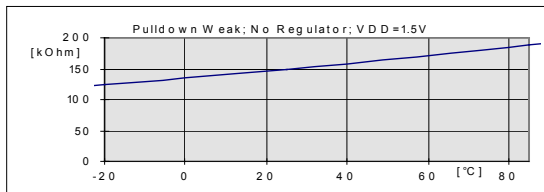
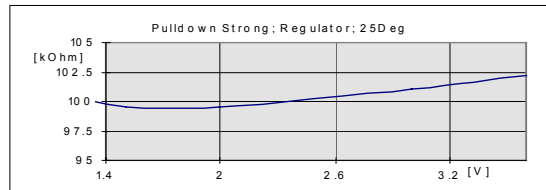
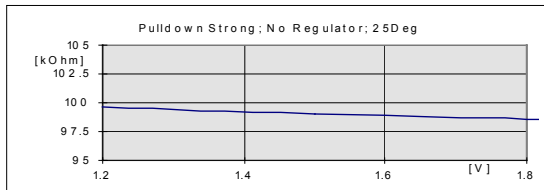
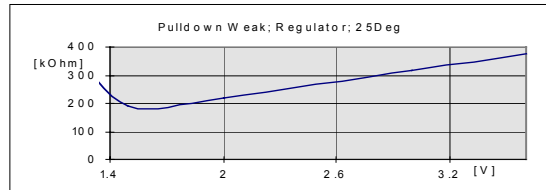
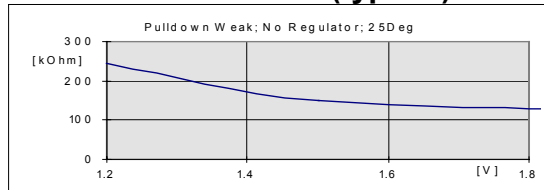
The customer should specify the required options at the time of ordering. A copy of the pages 44 to 46 as well as the « Software ROM characteristic file » generated by the assembler (*.STA) should be attached to the order. Also the Customer package marking, 7 Characters, should be defined at that time.

17. Temp. and Voltage Behaviors

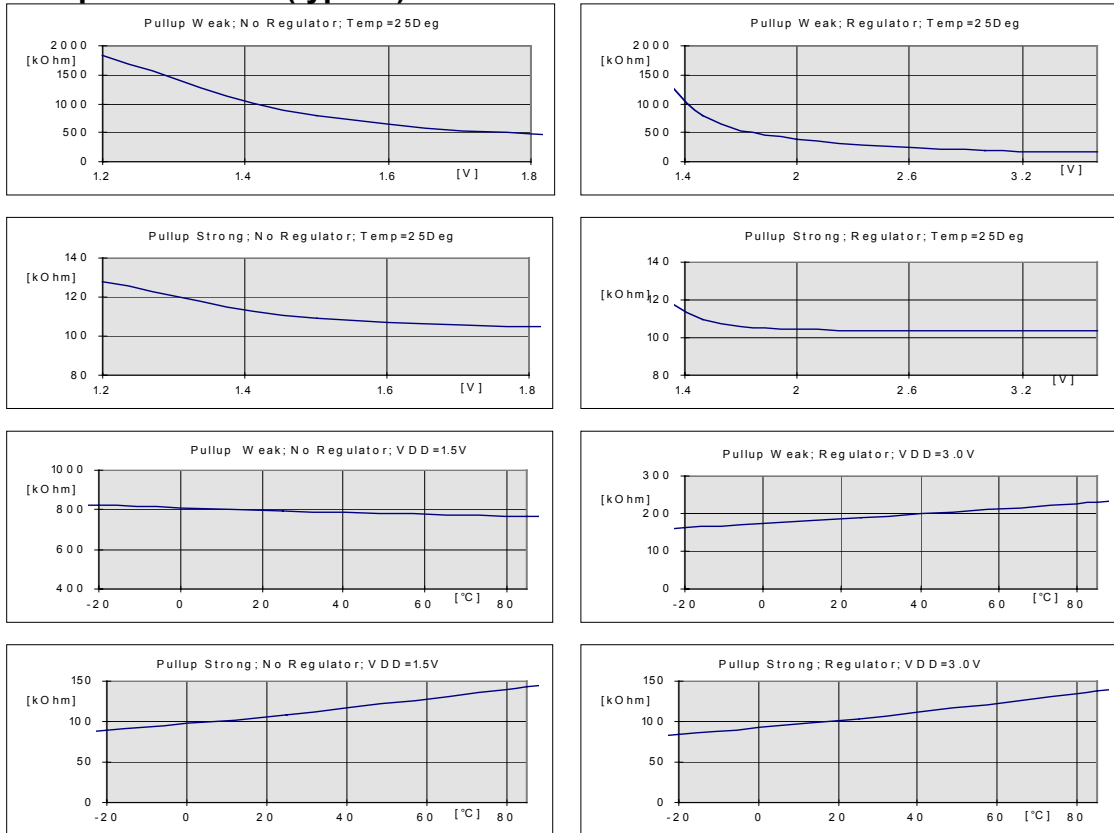
17.1 IDD Current (typical)



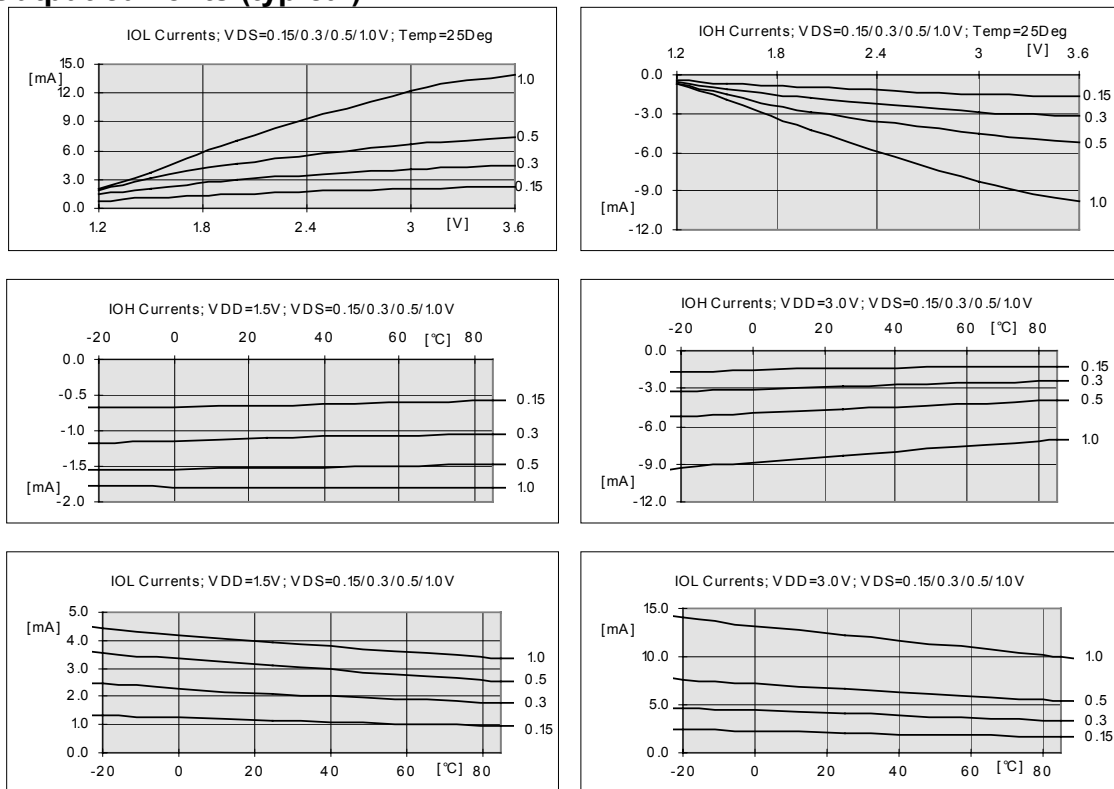
17.2 Pull-down Resistance (typical)



17.3 Pull-up Resistance (typical)



17.4 Output currents (typical)





18. EM6620 Electrical specifications

18.1 Absolute maximum ratings

	Min.	Max.	Units
Power supply VDD-VSS	- 0.2	+ 3.6	V
Input voltage	VSS - 0,2	VDD+0,2	V
Storage temperature	- 40	+ 125	°C
Electrostatic discharge to Mil-Std-883C Method 3015.7 with ref. to VSS	-2000	+2000	V
Maximum soldering conditions		10s x 250°C	

Stresses above these listed maximum ratings may cause permanent damage to the device.
Exposure beyond specified electrical characteristics may affect device reliability or cause malfunction.

18.2 Handling Procedures

This device has built-in protection against high static voltages or electric fields; however, anti-static precautions should be taken as for any other CMOS component.

Unless otherwise specified, proper operation can only occur when all terminal voltages are kept within the supply voltage range.

18.3 Standard Operating Conditions

Parameter	MIN	TYP	MAX	Unit	Description
Temperature	-20	25	85	°C	
VDD_Range1	1.4	3.0	3.6	V	with internal voltage regulator
VDD_Range2	1.2	1.5	1.7		without internal voltage regulator
VSS		0		V	Reference terminal
CVDDCA (note 1)	100			nF	regulated voltage capacitor
f _q		32768		Hz	nominal frequency
R _{qs}		35		kOhm	typical quartz serial resistance
CL		8.2		pF	typical quartz load capacitance
df/f		+/- 30		ppm	quartz frequency tolerance

Note 1: This capacitor filters switching noise from VDD to keep it away from the internal logic cells.
In noisy systems the capacitor should be chosen bigger than minimum value.

18.4 DC characteristics - Power Supply

Conditions: V_{dd}=1.5V, T=25°C, without internal voltage regulator (unless otherwise specified)

Parameter	Conditions	Symbol	Min.	Typ.	Max.	Unit
ACTIVE Supply Current (in active mode with LCD on)	(note2,3)	IVDDa1		2.0	3.0	µA
	-20 ... 85°C (note2,3)	IVDDa1			3.1	µA
STANDBY Supply Current (in Halt mode, LCDOff)		IVDDh1		0.4	0.6	µA
	-20 ... 85°C	IVDDh1			0.8	µA
SLEEP Supply Current		IVDDs1		0.1	0.25	µA
	-20 ... 85°C	IVDDs1			0.28	µA
POR static level	-20 ... 85°C	VPOR1		0.85	1.1	V
RAM data retention		V _{rd1}	1.0			V

Note 2: Lcd Display NOT connected.

Note 3: For test reasons, the user has to provide a test loop with successive writing and reading of two different addresses (5 instructions should be reserved for this measurement).



Conditions: Vdd=3.0V, T=25°C, with internal voltage regulator (unless otherwise specified)

Parameter	Conditions	Symb.	Min.	Typ.	Max.	Unit
ACTIVE Supply Current (in active mode with LCD on)	(note2,3)	IVDDa2		2.1	3.1	μA
	-20 ... 85°C (note2,3)	IVDDa2			3.5	μA
STANDBY Supply Current (in Halt mode, LCDOff)		IVDDh2		0.5	0.7	μA
	-20 ... 85°C	IVDDh2			0.9	μA
SLEEP Supply Current		IVDDs2		0.15	0.28	μA
	-20 ... 85°C	IVDDs2			0.3	μA
POR static level	-20 ... 85°C, No Load on Vreg	VPOR2		0.95	1.25	V
RAM data retention	-20 ... 85°C	Vrd2	1.2			V
Regulated voltage	Halt Mode, No Load	Vreg	1.2	1.4	1.7	V

Note 2: LCD Display NOT connected.

Note 3: For test reasons, the user has to provide a test loop with successive writing and reading of two different addresses (5 instructions should be reserved for this measurement).

18.5 SVLD and Input Comparator

Conditions: Standard operating conditions (unless otherwise specified)

Parameter	Conditions	Symb.	Min.	Typ.	Max.	Unit
SVLD voltage Level	-10 ... 60°C	VSVLD	0.92 VSVLDNom	VSVLDNOM	1.08 VSVLDNom	V
	-20 ... 85°C	VSVLD	0.9 VSVLDNom	VSVLDNOM	1.1 VSVLDNom	V
Input Comparator VINMax=VDD+0.2V VDD= VSVLDNom	-10 ... 60°C	VSVLD	0.92 VSVLDNom	VSVLDNOM	1.08 VSVLDNom	V
	-20 ... 85°C	VSVLD	0.9 VSVLDNom	VSVLDNOM	1.1 VSVLDNom	V
Input Comparator voltage dependency versus VDD	-20 ... 85°C	dVSVLD/dVDD		-100		mV/V

Note 4: VSVLDNom is coming from the SVLD option Mask definition sheet (chapter 16.1.4).

18.6 Oscillator

Conditions: T=25°C (unless otherwise specified)

Parameter	Conditions	Symb.	Min.	Typ.	Max.	Unit
Temperature stability	+15 ... +35 °C	df/f x dT			0,3	ppm /°C
Voltage stability (note 5)	VDD=1,4 - 1,6 V	df/f x dU			5	ppm /V
Input capacitor	Ref VSS	Cin	5,6	7	8,4	pF
Output capacitor	Ref VSS	Cout	12,1	14	15,9	pF
Transconductance	50mVpp, VDDmin	Gm	2.5		15.0	μA/V
Oscillator start voltage	Tstart < 10 s	Ustart	VDDmin			V
Oscillator start time	VDD > VDDMin	tdosc		0.5	3	s
System start time (oscillator + cold start + reset)		tdsys		1.5	4	s
Oscillation detector frequency	VDD > VDDmin	tDetFreq			12	kHz

Note 5 ; applicable only for the versions without the internal voltage regulator



18.7 DC characteristics - I/O Pins

Conditions: T= -20 ... 85°C (unless otherwise specified)

VDD=1.5V means; measures without voltage regulator

VDD=3.0V means; measures with voltage regulator

Parameter	Conditions	Symb	Min.	Typ.	Max.	Unit
Input Low voltage						
Ports A,B Test	VDD < 1.5V	V _{IL}	V _{ss}		0.2VDD	V
Ports A,B Test	VDD > 1.5V	V _{IL}	V _{ss}		0.3VDD	V
QIN with Regulator		V _{IL}	V _{ss}		0.1VREG	V
QIN without Regulator		V _{IL}	V _{ss}		0.1VDD	V
QOUT (note 7)						
Input High voltage						
Ports A,B Test		V _{IH}	0.7VDD		VDD	V
QIN with Regulator		V _{IH}	0.9VREG		VREG	V
QIN without Regulator		V _{IH}	0.9VDD		VDD	V
QOUT (note 7)						
Output Low Current						
Port B	VDD=1.5V , VOL=0.15V	I _{OL}		1.1		mA
	VDD=1.5V , VOL=0.30V	I _{OL}		2.1		mA
	VDD=1.5V , VOL=0.50V	I _{OL}	1.55	3.1		mA
	VDD=3.0V , VOL=0.15V	I _{OL}		1.8		mA
	VDD=3.0V , VOL=0.30V	I _{OL}		3.6		mA
	VDD=3.0V , VOL=0.50V	I _{OL}		5.8		mA
	VDD=3.0V , VOL=1.00V	I _{OL}	5.5	11.0		mA
Output High Current						
Port B	VDD=1.5V , VOH= VDD-0.15V	I _{OH}		-0.6		mA
	VDD=1.5V , VOH= VDD-0.30V	I _{OH}		-1.1		mA
	VDD=1.5V , VOH= VDD-0.50V	I _{OH}		-1.5	-0.75	mA
	VDD=3.0V , VOH= VDD-0.15V	I _{OH}		-1.3		mA
	VDD=3.0V , VOH= VDD-0.30V	I _{OH}		-2.6		mA
	VDD=3.0V , VOH= VDD-0.50V	I _{OH}		-4.2		mA
	VDD=3.0V , VOH= VDD-1.00V	I _{OH}		-7.7	-3.85	mA
Input Pull-down						
Test	VDD=1.5V, Pin at 1.5V, 25°C	R _{PD}		15k		Ohm
	VDD=3.0V, Pin at 3.0V, 25°C	R _{PD}		15k		Ohm
Input Pull-down						
Port A,B (note 8) weak	VDD=1.5V, Pin at 1.5V, 25°C	R _{PD}	100k	150k	300k	Ohm
	VDD=3.0V, Pin at 3.0V, 25°C	R _{PD}	200k	300k	600k	Ohm
Input Pull-up						
Port A,B (note 8) weak	VDD=1.5V, Pin at 0.0V, 25°C	R _{PU}	500k	800k	2000k	Ohm
	VDD=3.0V, Pin at 0.0V, 25°C	R _{PU}	115k	190k	475k	Ohm
Input Pull-down						
Port A,B (note 8) strong	VDD=1.5V, Pin at 1.5V, 25°C	R _{PD}	72k	102k	132k	Ohm
	VDD=3.0V, Pin at 3.0V, 25°C	R _{PD}	70k	100k	130k	Ohm
Input Pull-up						
Port A,B (note 8) strong	VDD=1.5V, Pin at 0.0V, 25°C	R _{PU}	76k	109k	142k	Ohm
	VDD=3.0V, Pin at 0.0V, 25°C	R _{PU}	72k	103k	134k	Ohm

Note 7 ; QOUT (OSC2) is used only with Quartz.

Note 8 : Weak or strong are standing for weak pull resp. strong pull transistor. Values are for R1=100kOhm



18.8 LCD Seg[8:1] Outputs

Conditions: T=25°C (unless otherwise specified)

Parameter	Conditions	Symb.	Min.	Typ.	Max.	Unit
Driver Impedance Level 0	I _{out} = ±5μA, ext. Supply	RsegVL0			20	kOhm
Driver Impedance Level 1	I _{out} = ±5μA, ext Supply	RsegVL1			20	kOhm
Driver Impedance Level 2	I _{out} = ±5μA, ext Supply	RsegVL2			20	kOhm
Driver Impedance Level 3	I _{out} = ±5μA, ext Supply	RsegVL3			20	kOhm

18.9 LCD Com[4:1] Outputs

Conditions: T=25°C (unless otherwise specified)

Parameter	Conditions	Symb.	Min.	Typ.	Max.	Unit
Driver Impedance Level 0	I _{out} = ±5μA, ext. Supply	RcomVL0			10	kOhm
Driver Impedance Level 1	I _{out} = ±5μA, ext. Supply	RcomVL1			10	kOhm
Driver Impedance Level 2	I _{out} = ±5μA, ext Supply	RcomVL2			10	kOhm
Driver Impedance Level 3	I _{out} = ±5μA, ext Supply	RcomVL3			10	kOhm

18.10 DC Output Component

Conditions: T=25°C (unless otherwise specified)

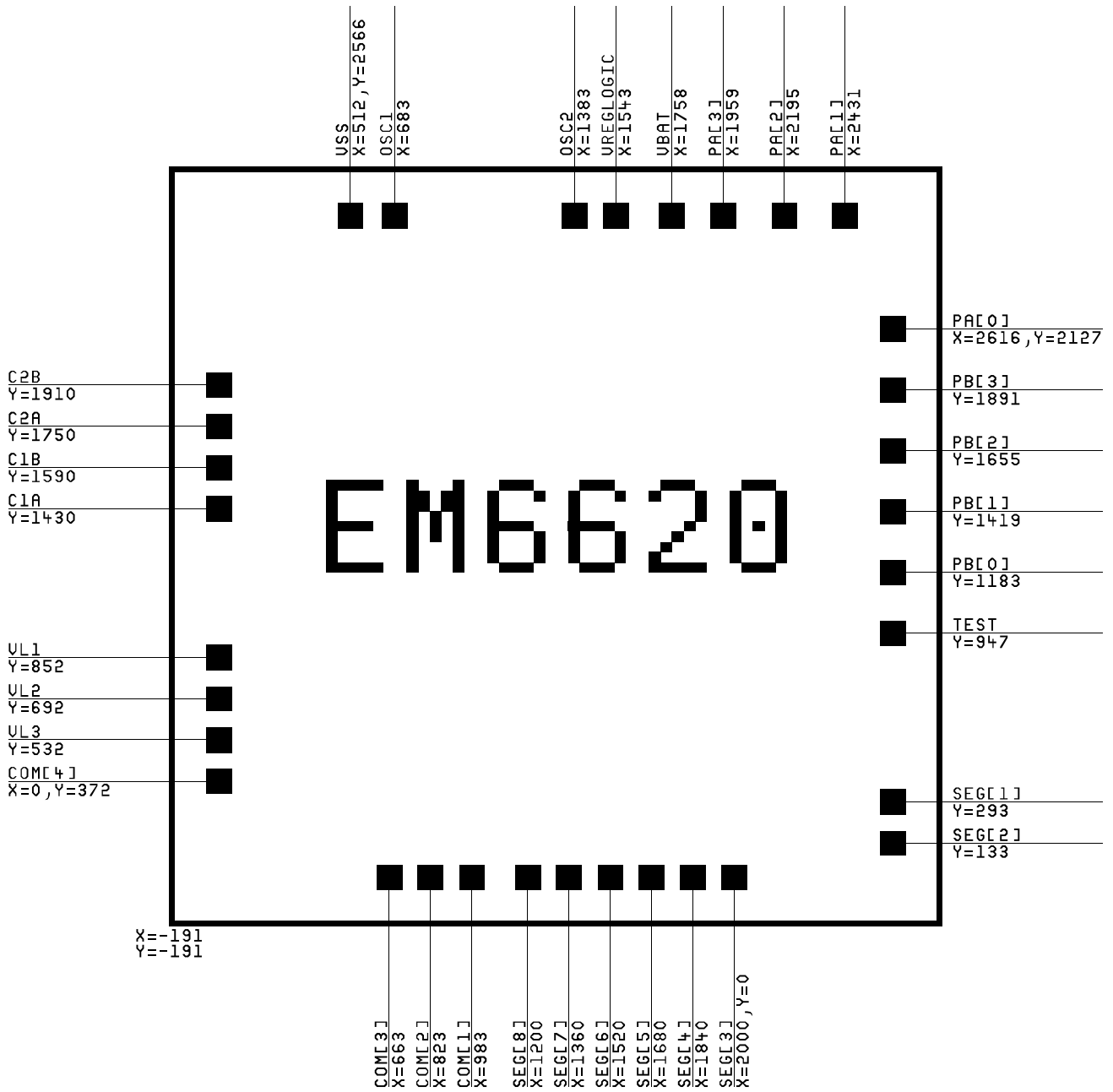
Parameter	Conditions	Symb.	Min.	Typ.	Max.	Unit
DC Output component	No Load	±VDC_com			20	mV

18.11 LCD voltage multiplier

Conditions: T=25°C, VDD=VDD_{typ}, All Multiplier Capa's 100nF, Multiplier freq=512Hz. (unless otherwise specified)

Parameter	Conditions	Symb.	Min.	Typ.	Max.	Unit
Voltage Bias Level 1	1μA load	VVL1	0.95	1.05	1.15	V
Voltage Bias Level 2	1μA load	VVL2		2.10		V
Voltage Bias Level 3	1μA load	VVL3		3.15		V
Temp dependency VVL1	1μA load, -10...60°C	dVVL1/dT		-4.9		mV/°C

19. Pad Location Diagram



CHIP SIZE is X = 2997 by Y = 2946 Microns or X = 118 by Y = 116 Mils

NOTE : THE ORIGIN (0,0) IS THE LOWER LEFT COORDINATE OF CENTER PADS
THE LOWER LEFT CORNER OF THE CHIP SHOWS DISTANCES TO ORIGIN

20. Package & Ordering information

Figure 32 TQFP32 Package Dimensions

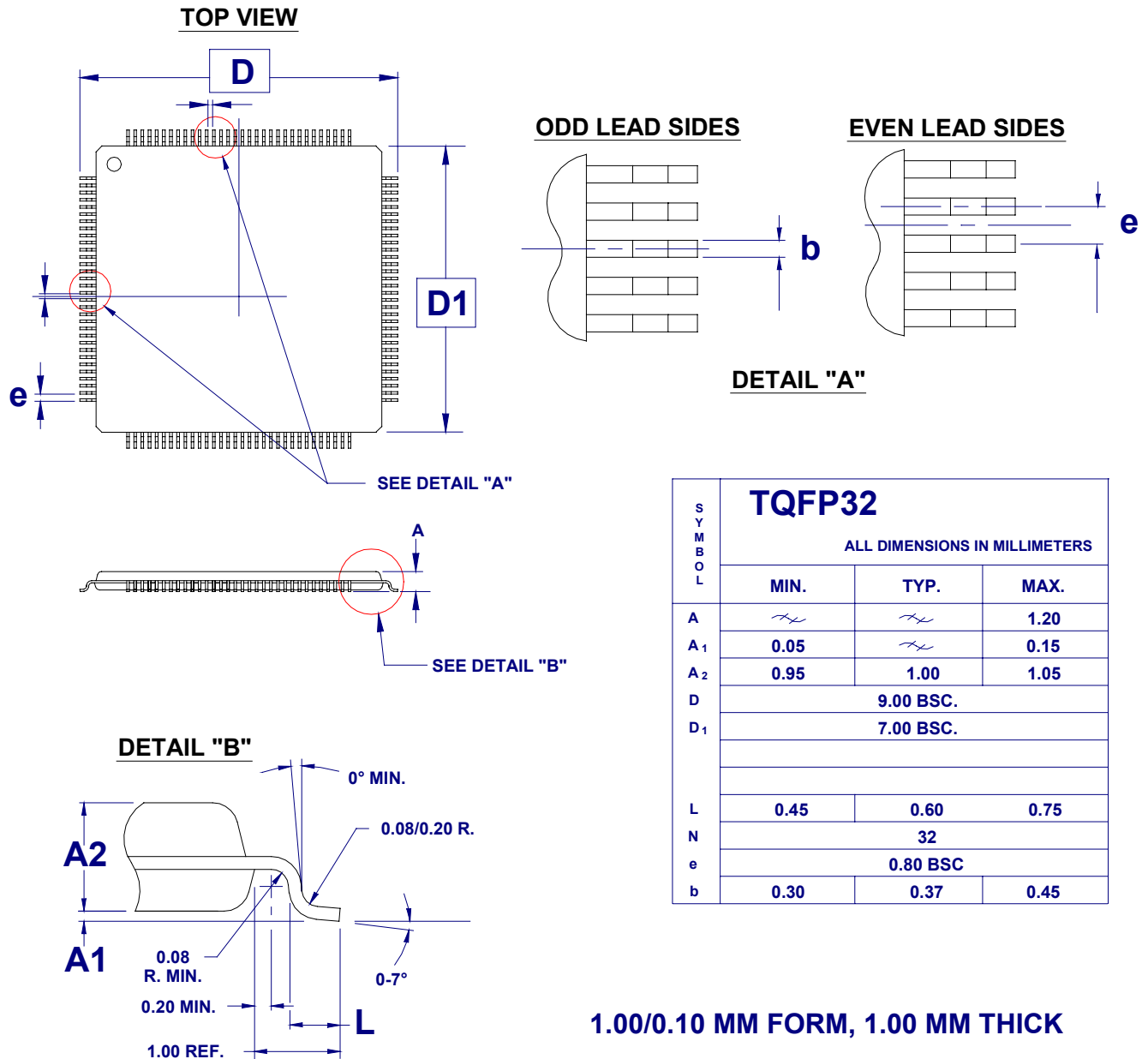
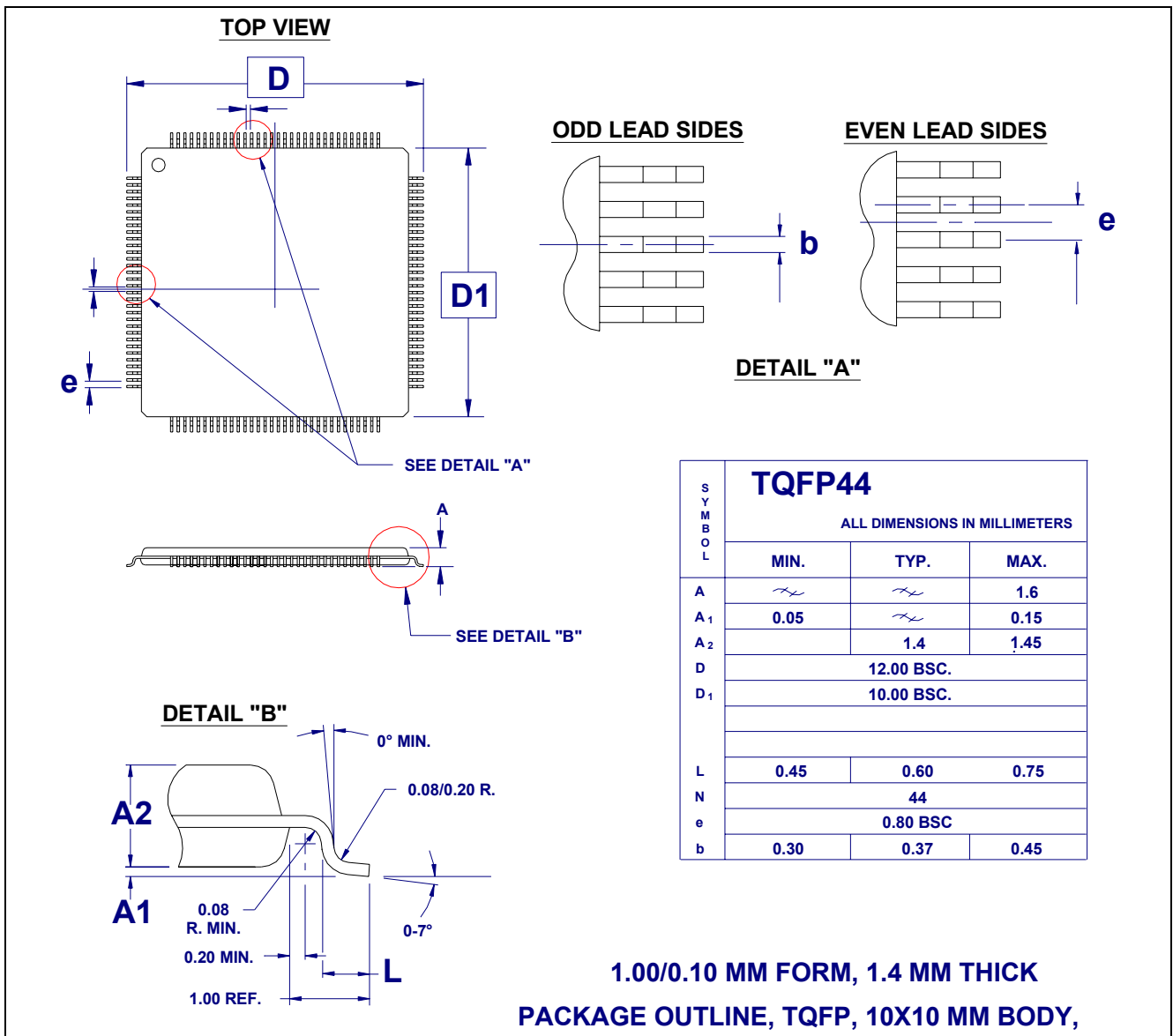


Figure 31 TQFP44 Package Dimensions





20.1 Ordering Information

Packaged Device:

EM6620 %%% TQ32 B

Customer Version:

customer-specific number given by EM Microelectronic

Package:

TQ32 = TQFP 32 pin
TQ44 = TQFP 44 pin

Delivery Form:

B = Tape&Reel
D = Trays (Plate)

Device in DIE Form:

EM6620 %%% WS 11

Customer Version:

customer-specific number given by EM Microelectronic

Die form:

WW = Wafer
WS = Sawn Wafer/Frame
WP = Waffle Pack

Thickness:

11 = 11 mils (280um), by default
27 = 27 mils (686um), not backlapped (for other thickness, contact EM)

Ordering Part Number (selected examples)

Part Number	Package/Die Form	Delivery Form/Thickness
EM6620%%TQ32B	TQFP 32 pin	Tape&Reel
EM6620%%TQ32D	TQFP 32 pin	Trays (Plate)
EM6620%%TQ44B	TQFP 44 pin	Tape&Reel
EM6620%%TQ44D	TQFP 44 pin	Trays (Plate)
EM6620%%WS11	Sawn wafer	11 mils
EM6620%%WP11	Die in waffle pack	11 mils
EM6620%%WW27	Unsaun wafer	27 mils

Please make sure to give the complete Part Number when ordering, including the 3-digit version. The version is made of 3 digits %%%: the first one is a letter and the last two are numbers, e.g. C05 , C12, P20, etc.

20.2 Package Marking

TQFP44 marking:

First line:	E	M	6	6	2	0	0	%	%	Y
Second line:	P	P	P	P	P	P	P	P	P	P
Third line:	C	C	C	C	C	C	C	C	C	C

TQFP32 marking:

E	M	6	6	2	0	#
P	P	P	P	P	P	P
C	C	C	C	C	Y	P

Where: %% = last two-digits of the customer-specific number given by EM (e.g. 05, 12, 20, etc.)

= Last digit of the customer-specific number given by EM (e.g. 2, 4, 6, 8)

Y = Year of assembly

PP...P = Production identification (date & lot number) of EM Microelectronic

CC...C = Customer specific package marking on third line, selected by customer

20.3 Customer Marking

There are 11 digits available for customer marking on **TQFP44**.

There are 5 digits available for customer marking on **TQFP32**.

Please specify below the desired customer marking.

--	--	--	--	--	--	--	--	--	--	--

EM Microelectronic-Marín SA cannot assume responsibility for use of any circuitry described other than circuitry entirely embodied in an EM Microelectronic-Marín SA product. EM Microelectronic-Marín SA reserves the right to change the circuitry and specifications without notice at any time. You are strongly urged to ensure that the information given has not been superseded by a more up-to-date version.



21. Spec. Update

date ,name Version	chapter concerned	old text	new text
20/11/97 , JAG B/156, Oct 97	5.2	debouncer times are 2ms resp 0.5ms	debouncer times are 2ms resp 0.25ms
20/11/97 , JAG	6.2.1	This means a worst case of 16ms(default) or 2ms (0.5ms) by	This means a worst case of 16ms(default) or 2ms (0.25ms) by
20/11/97 , JAG	16.1.5	ck[14] corresponds to a maximum 0.5ms debouncing	ck[14] corresponds to a maximum 0.5ms debouncing
20/11/97 , JAG	ALL	new pagination	
19/12/97, JAG	MSC	-	new detailed description + 1page
03/02/98, JAG	1.0	-	added marking for MFP programming
16/02/98, JAG	7.0	-	- included default marking for Up/Down count mode and Load command
24/3/98, JAG	7.5.1	-	added < For limited pulse generation one must load the complementary pulse number value. I.e for 5 pulses counting on 4 bits load bits[9 :4] with hex 3A (bin 111010).>
24/3/98, JAG	7.4 7.5	in 7.4 removed the phrase < One must not use a compare value of hex 0 in upcount mode nor a value of hex 3FF (resp FF,3F, F if limited bit compare) in downcount mode.>	in 7.5 added the phrase <One must not use a compare value of hex 0 in upcount mode nor a value of hex 3FF (resp FF,3F, F if limited bit compare) in downcount mode. >
18.6.98, Jag C/227, June 98	all	new version in Doc Control	Spelling Corrections, Figure updates, added Die size and Package drawings
8.12.98 JAG	10	SVLD Level select in in RegSVLDL	SVLD Level select in in RegSVLDL
8.12.98 JAG	21	TQFP44 Thickness 1.0mm	TQFP44 Thickness 1.4mm
20.1.99 JAG D/254 Feb 99	22	-	Added the ordering information for packaged devices inclusive device marking and also ordering info for dies.
19.09.01 DIV E/375 Sept 01	15		New testloop
19.09.01 DIV E/375 Sept 01	18.4	IVDDa, IVDDh, IVDDs Max. over temperature change in 18.4 DC characteristics.	18.4 DC Characteristics - Power Supply Pins - new values for IVDDa, IVDDh, IVDDs Max.
01.11.01 PERT E/375	All	-	Change Header & footer, Add URL mention
22.03.02	19 & 22	-	Change pad location diagram & ordering information

EM Microelectronic-Marin SA cannot assume responsibility for use of any circuitry described other than circuitry entirely embodied in an EM Microelectronic-Marin SA product. EM Microelectronic-Marin SA reserves the right to change the circuitry and specifications without notice at any time. You are strongly urged to ensure that the information given has not been superseded by a more up-to-date version.