

# bel/ defining a degree of excellence

## DIGITAL DELAY LINE SERIES A447 FIXED DELAY

AVAILABLE IN FAST LOGIC  
REQUEST A427 SERIES

### TECHNICAL INFORMATION

#### TEST CONDITIONS

Pulse Voltage 3.2 Volts  
Rise Time 3.0 Nsec (10%-90%)  
Pulse Width  $1.2 \times$  Total Delay  
Pulse Period  $4 \times$  Pulse Width  
Supply Current,  $I_{CC}$  60.0 Milliamps  
typical  
Supply Voltage,  $V_{CC}$  5.0 Volts  
Ambient Temperature 25°C

#### PERFORMANCE CHARACTERISTICS

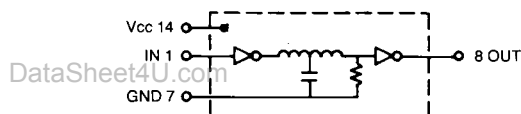
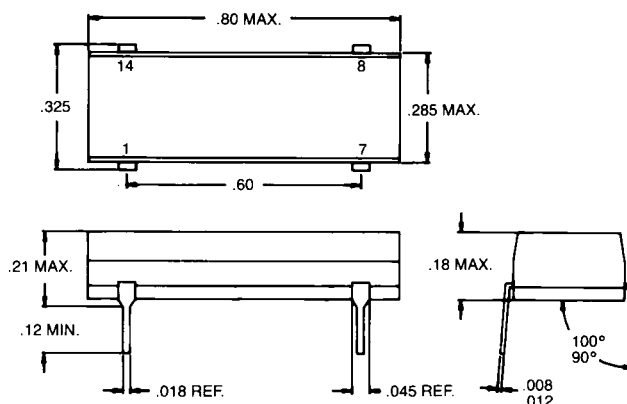
Delay Tolerance From Input To Tap  
 $\pm 2$  Nsec or 5% whichever is greater  
Performance Characteristics apply to  
above listed Test Conditions.

#### ELECTRICAL CHARACTERISTICS

Supply Voltage,  $V_{CC}$   
4.75 to 5.25 Volts  
Logic 1 Input Current  
50 Microamp max.  
Logic 0 Input Current  
-2 Milliamp max.  
Logic 1 Output Voltage  
2.7 Volts min.  
Logic 0 Output Voltage  
0.5 Volts max.  
Operating Temperature Range  
0°C To 70°C  
Temperature Coefficient Of Total Delay  
500PPM/°C Typical  
Minimum Input Pulse Width  
40% Of Total Delay  
Maximum Duty Cycle  
50%

#### DRIVE CAPABILITIES

10 TTL Loads/Unit max.  
—Compatible with TTL and DTL circuits.  
—Other delays and tolerances upon  
request



Part Number	Delay/Tap 1, 3	Rise Time 2, 3
A447-0010-06	10NS	4NS
A447-0020-06	20NS	4NS
A447-0030-06	30NS	4NS
A447-0040-06	40NS	4NS
A447-0050-06	50NS	4NS
A447-0060-06	60NS	4NS
A447-0070-06	70NS	4NS
A447-0080-06	80NS	4NS
A447-0090-06	90NS	4NS
A447-0100-06	100NS	4NS
A447-0125-06	125NS	4NS
A447-0150-06	150NS	4NS
A447-0175-06	175NS	4NS
A447-0200-06	200NS	4NS
A447-0250-06	250NS	4NS
A447-0300-06	300NS	4NS
A447-0350-06	350NS	4NS
A447-0400-06	400NS	4NS
A447-0450-06	450NS	5NS
A447-0500-06	500NS	5NS

1 Delays measured at 1.5 Volts level on Leading and Trailing Edge.  
2 Rise Times measured from .75 Volts to 2.4 Volts.  
3 Measured with no loads on taps.

Specifications Subject To Change Without Notice

www.DataSheet4U.com